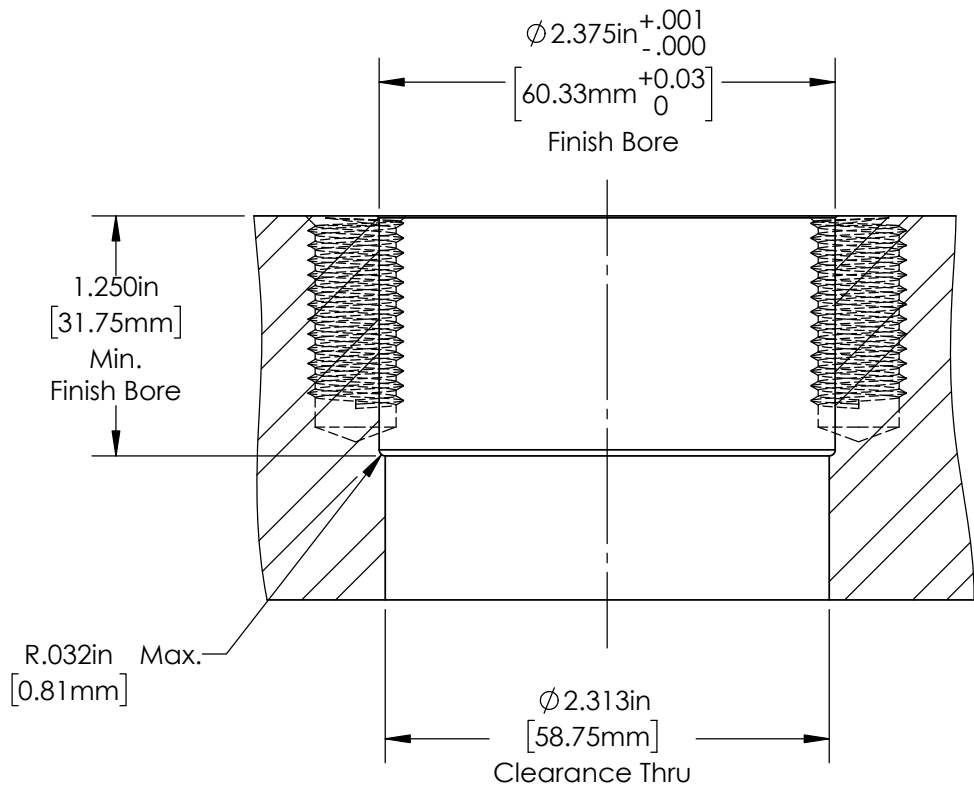
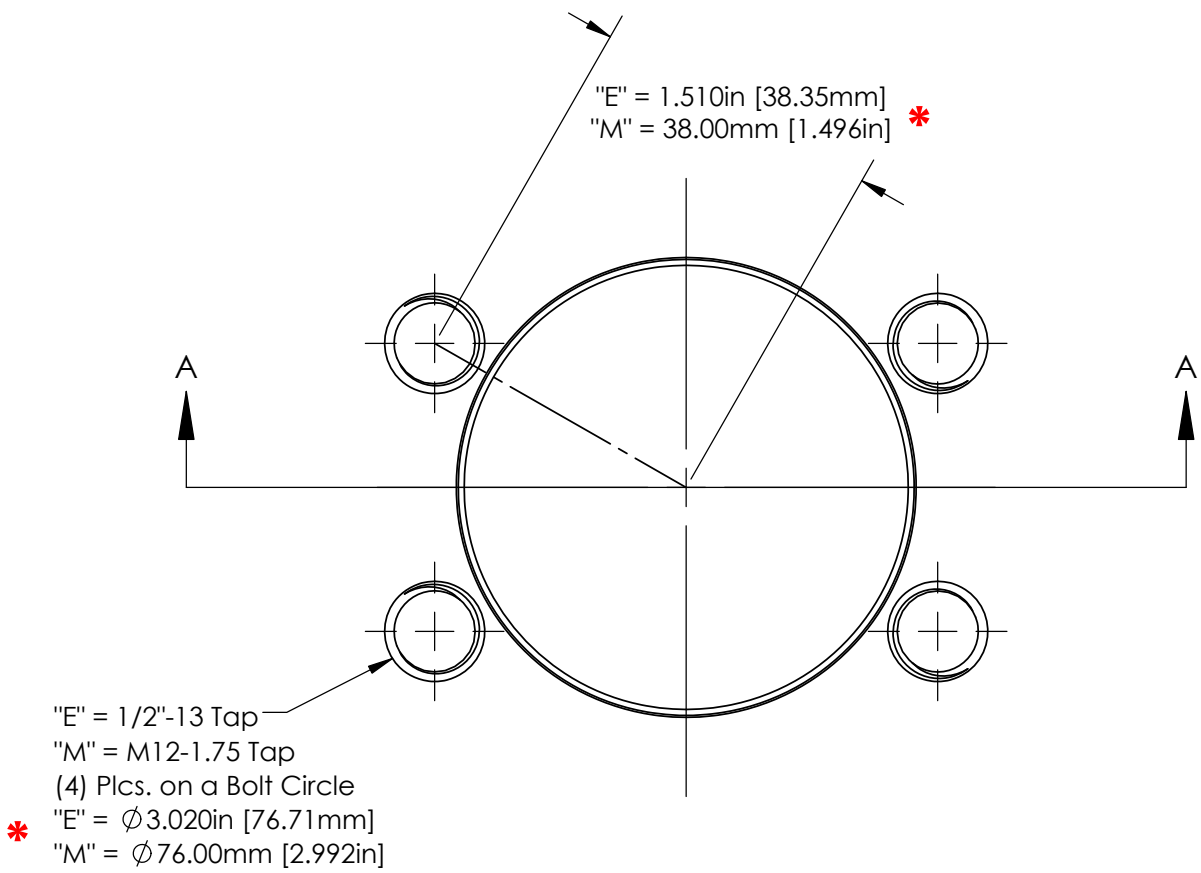


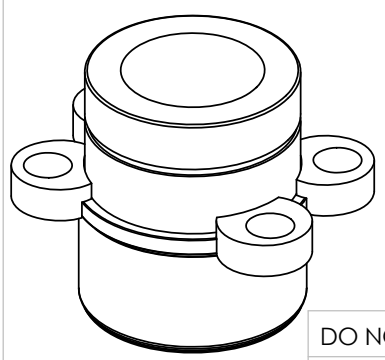
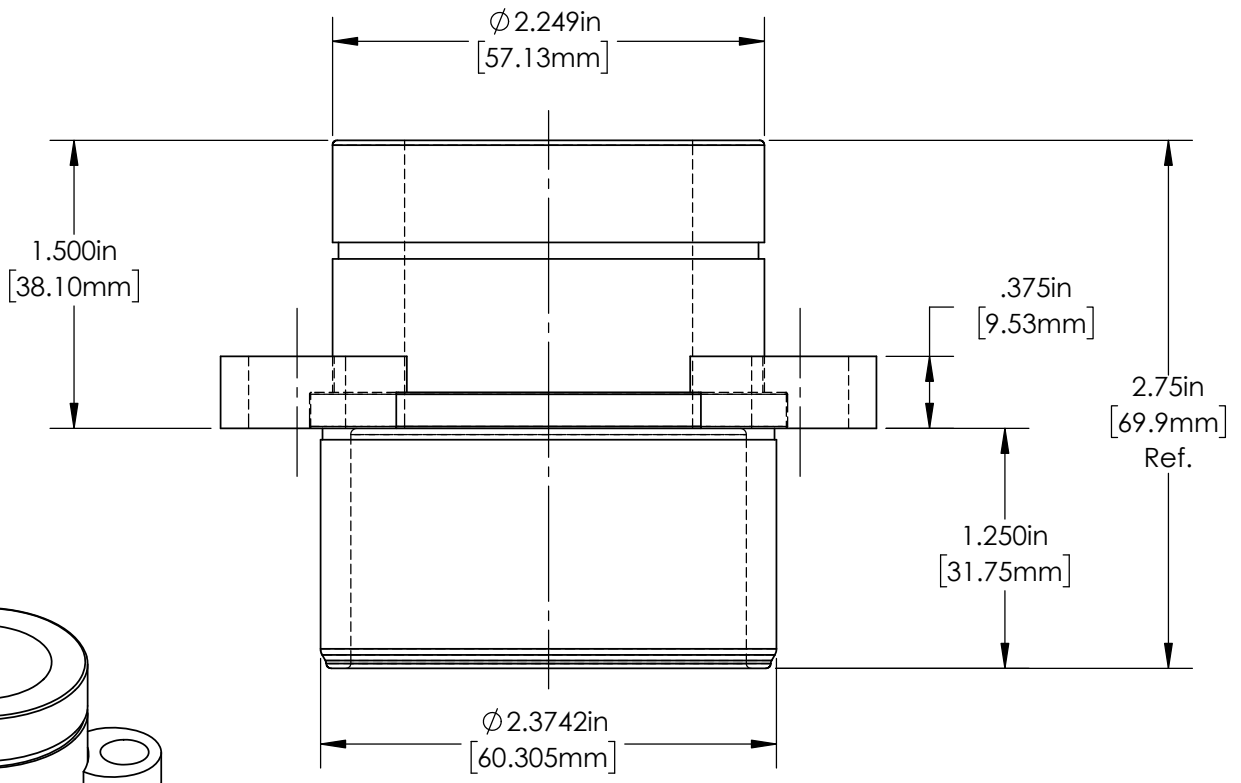
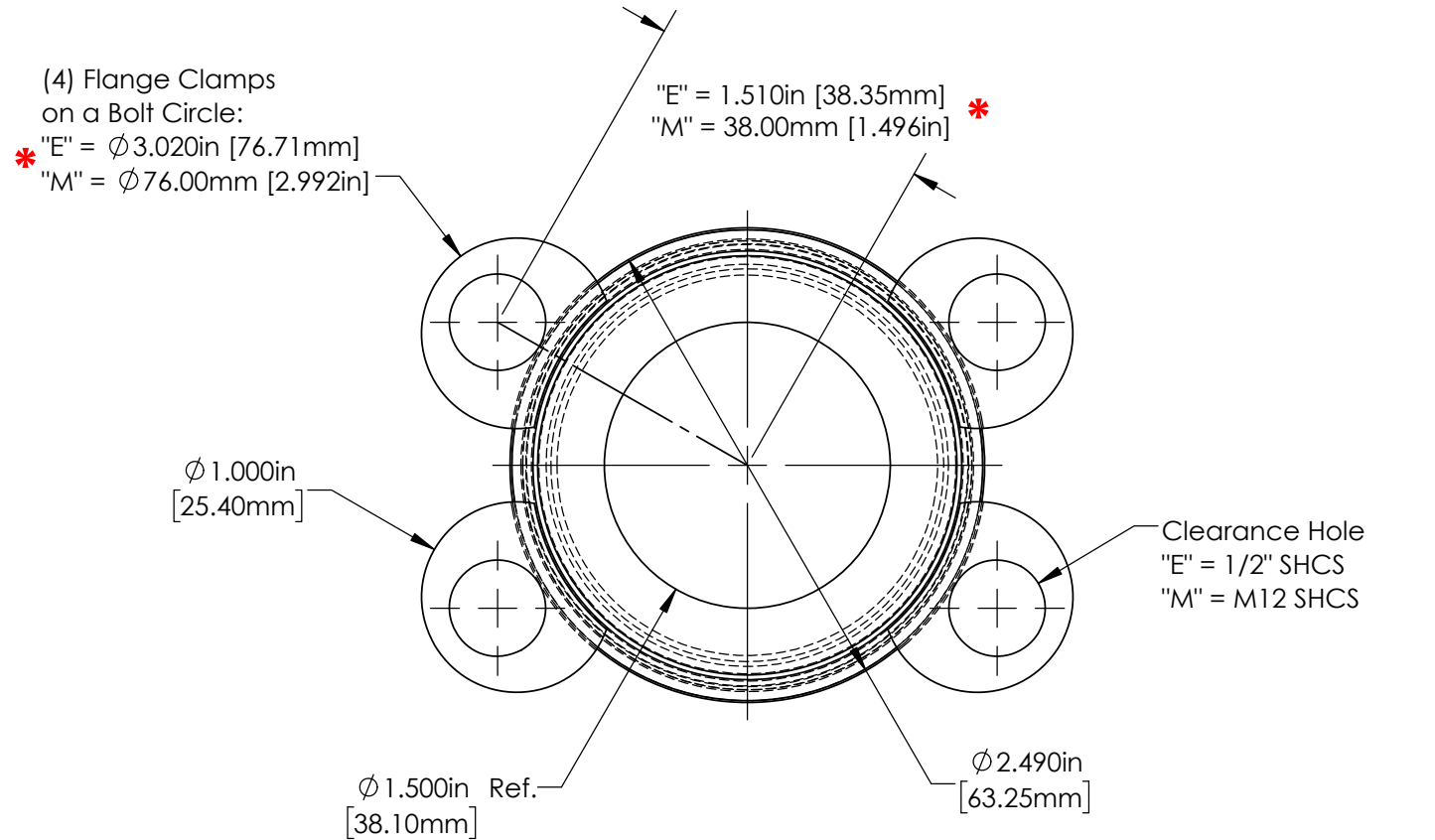
***Caution: English & Metric Hole Locations are NOT the Same!**



DO NOT SCALE DRAWING REV 1
This product may be covered by one or more patents or patent applications.
See <http://www.standardlifters.com/patents.html> for details.

GK1.50-P1.5-Base Machining
STANDARD LIFTERS INC

***Caution: English & Metric Hole Locations are NOT the Same!**



Maximum Recommended Guide Pin Length is 5.375"

DO NOT SCALE DRAWING REV 1

This product may be covered by one or more patents or patent applications.
 See <http://www.standardlifters.com/patents.html> for details.

Base-GK1.50-P1.5

STANDARD LIFTERS INC