

SECTION A-A

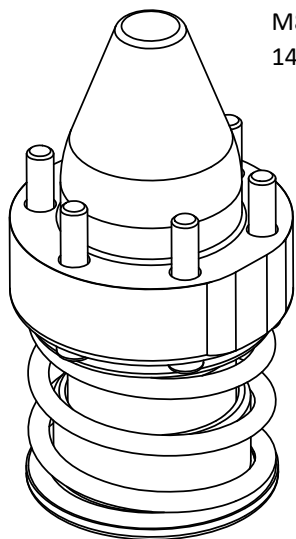
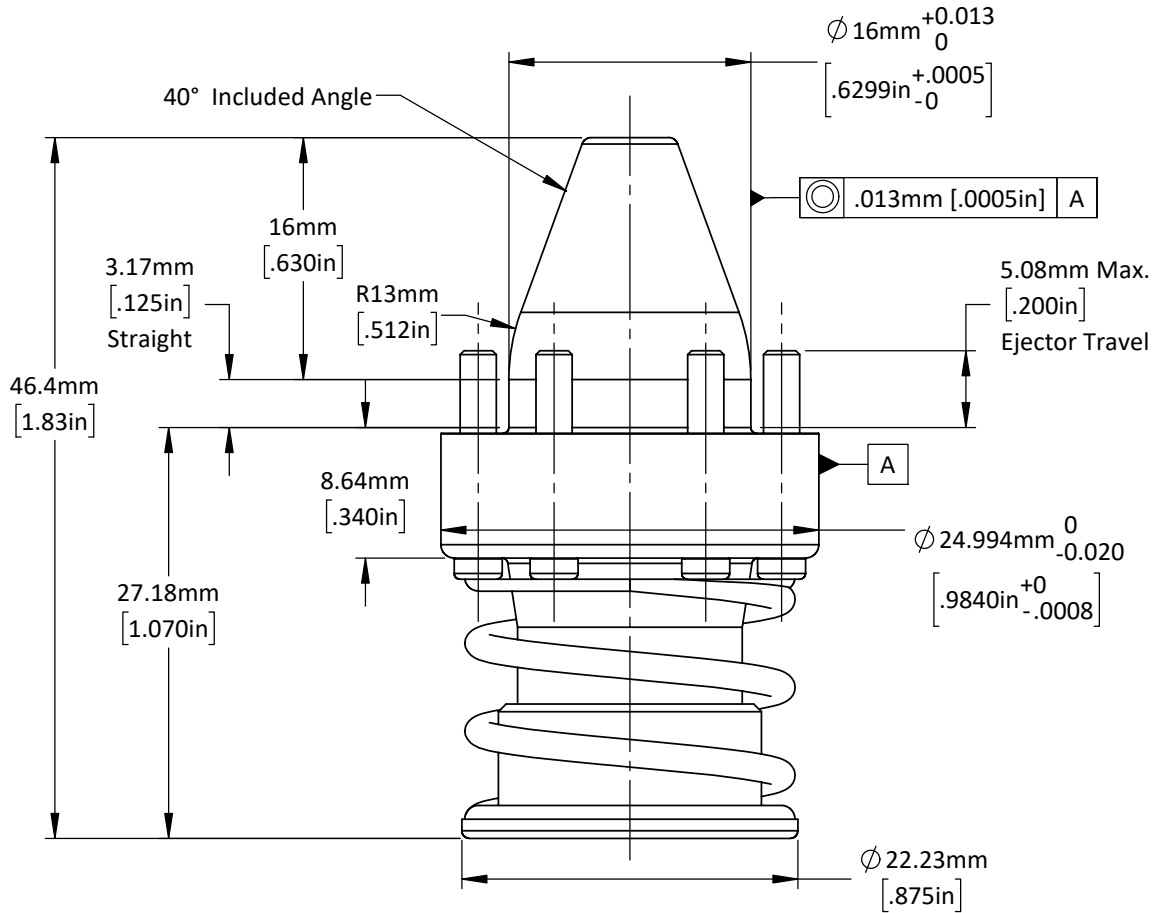
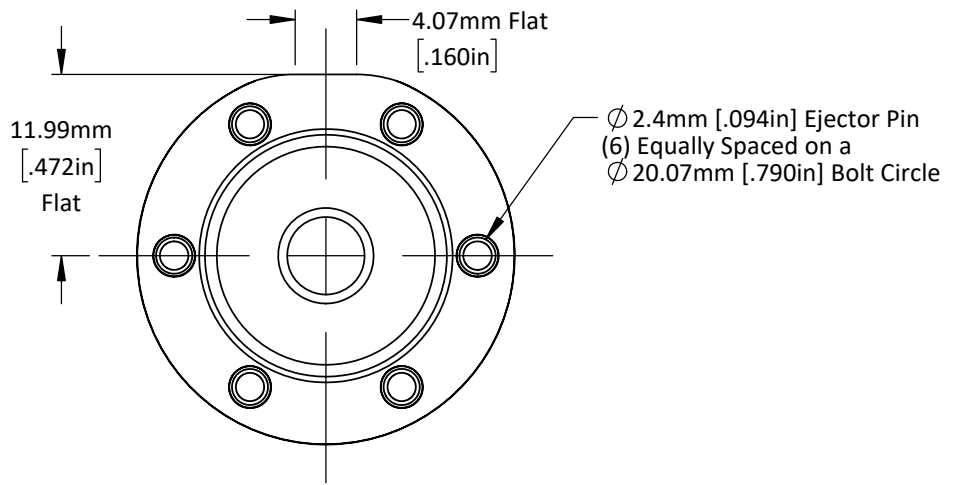
DO NOT SCALE DRAWING

REV 1

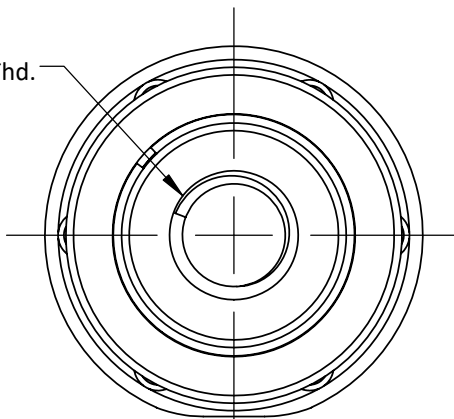
Pilot-PA-16mm-3.2mm-S-P-BT-Machining

This product may be covered by one or more patents or patent applications.
 See <http://www.standardlifters.com/patents.html> for details.

STANDARD LIFTERS INC



M8-1.25 Tap
14.5mm [.57in] Dp. Full Thd.



DO NOT SCALE DRAWING REV 1

This product may be covered by one or more patents or patent applications.
See <http://www.standardlifters.com/patents.html> for details.

Pilot-PA-16mm-3.2mm-S-P-BT

STANDARD LIFTERS INC