

SECTION A-A

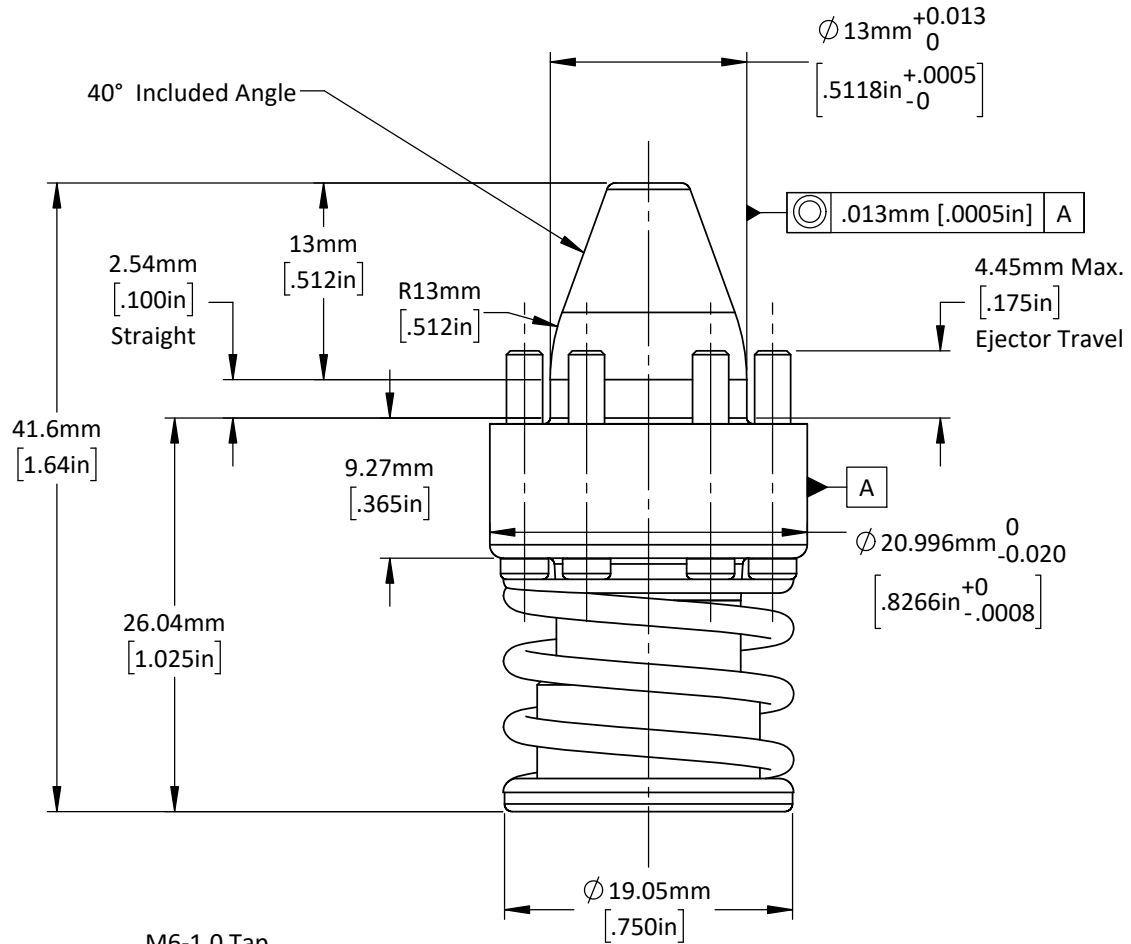
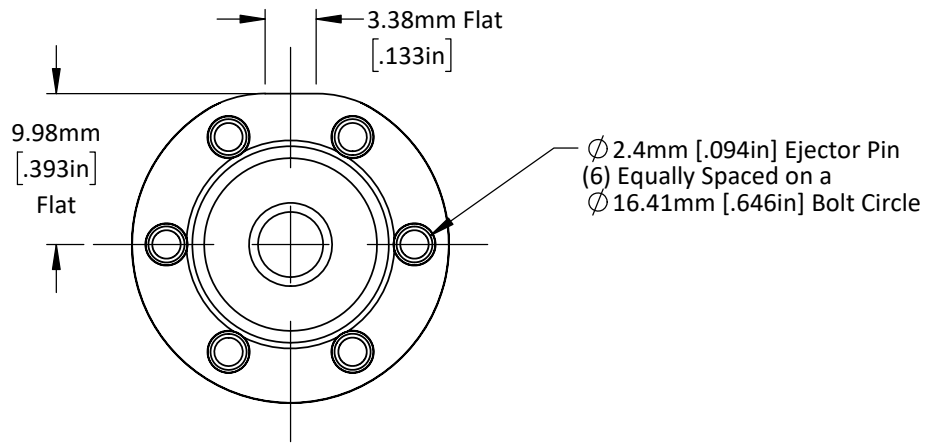
DO NOT SCALE DRAWING

REV 1

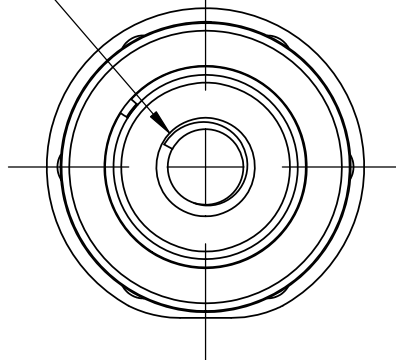
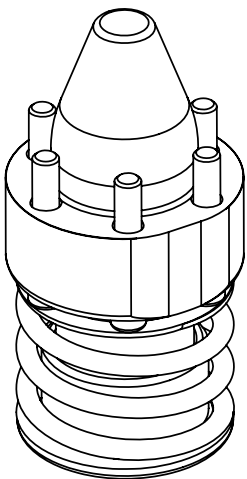
Pilot-PA-13mm-2.5mm-L-P-BT-Machining

This product may be covered by one or more patents or patent applications.  
 See <http://www.standardlifters.com/patents.html> for details.

STANDARD LIFTERS INC



M6-1.0 Tap  
11.9mm [.47in] Dp. Full Thd.



DO NOT SCALE DRAWING

REV 1

**Pilot-PA-13mm-2.5mm-L-P-BT**

This product may be covered by one or more patents or patent applications.  
See <http://www.standardlifters.com/patents.html> for details.

**STANDARD LIFTERS INC**