

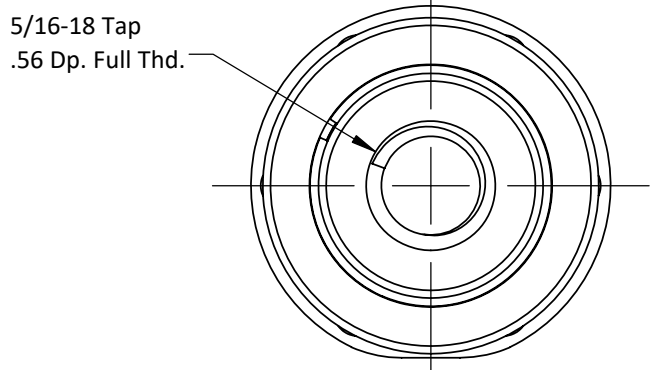
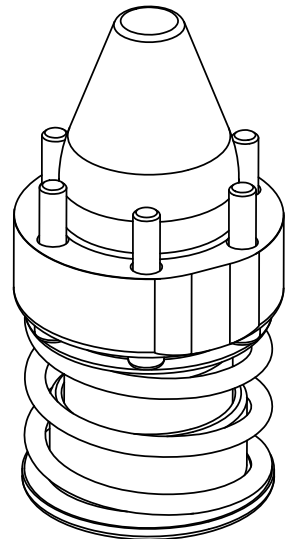
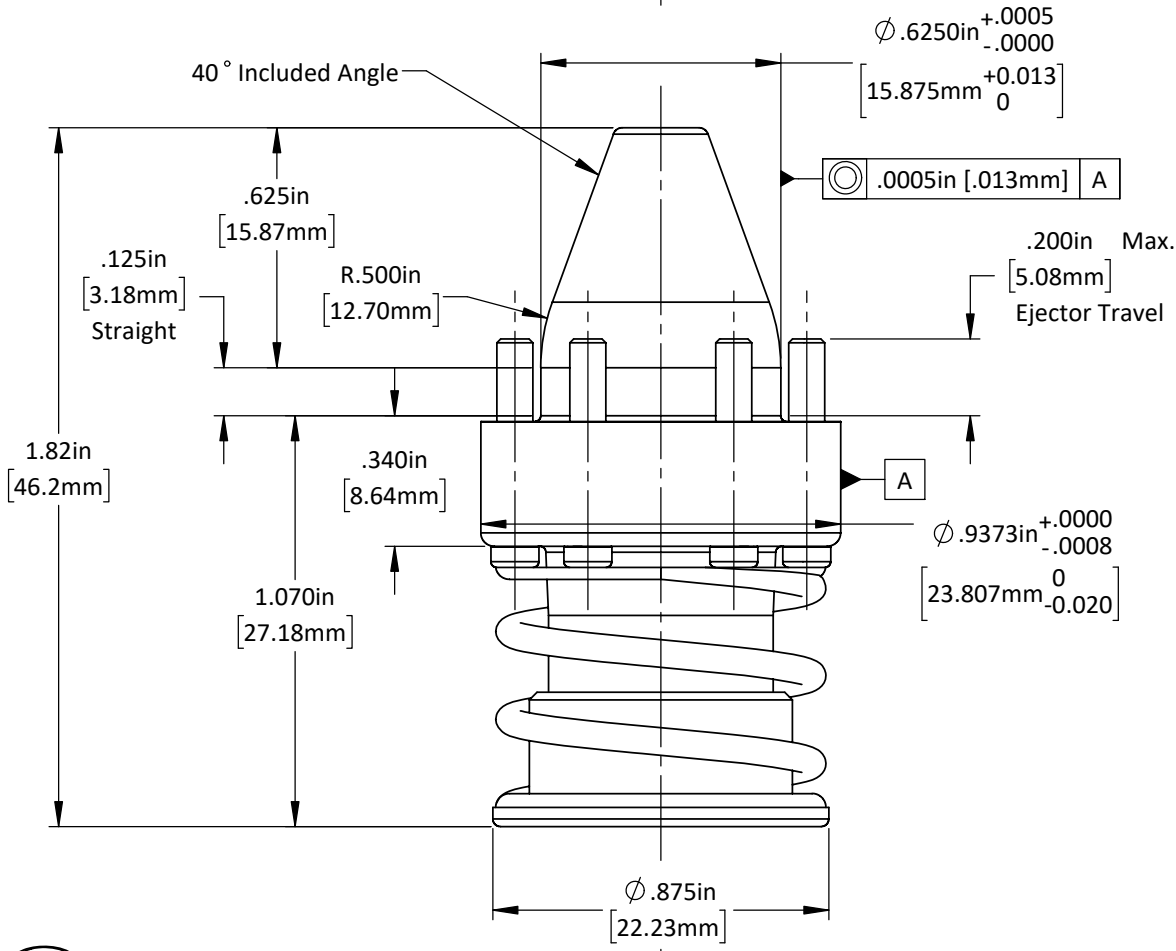
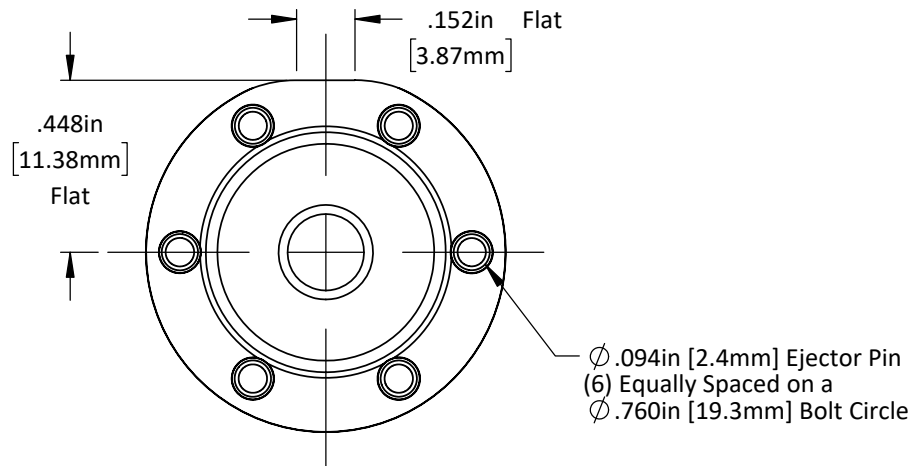
DO NOT SCALE DRAWING

REV 1

This product may be covered by one or more patents or patent applications. See <http://www.standardlifters.com/patents.html> for details.

Pilot-PA-.625-.125-S-P-BT-Machining

STANDARD LIFTERS INC



DO NOT SCALE DRAWING REV 1

This product may be covered by one or more patents or patent applications. See <http://www.standardlifters.com/patents.html> for details.

Pilot-PA-.625-.125-S-P-BT

STANDARD LIFTERS INC