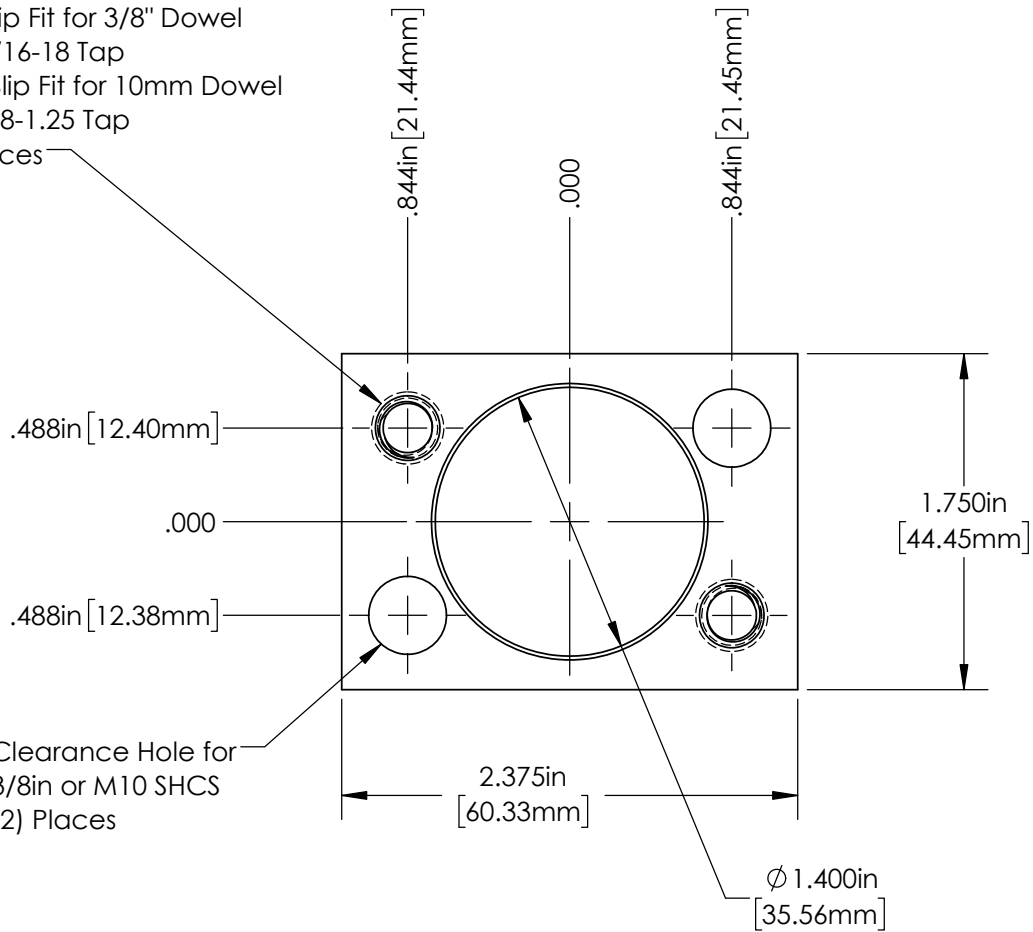
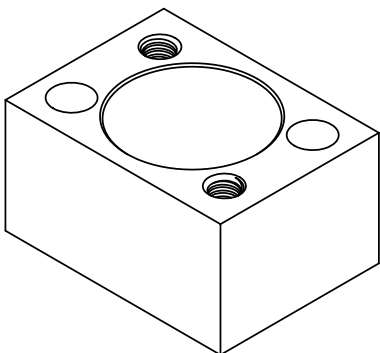
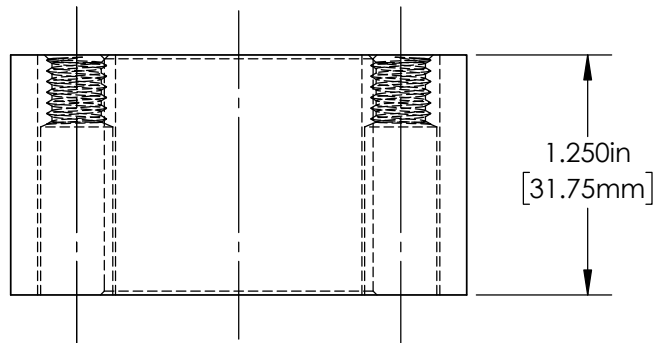


SECTION A-A

"E" = Slip Fit for 3/8" Dowel
 5/16-18 Tap
 "M" = Slip Fit for 10mm Dowel
 M8-1.25 Tap
 (2) Places



Clearance Hole for
 3/8in or M10 SHCS
 (2) Places



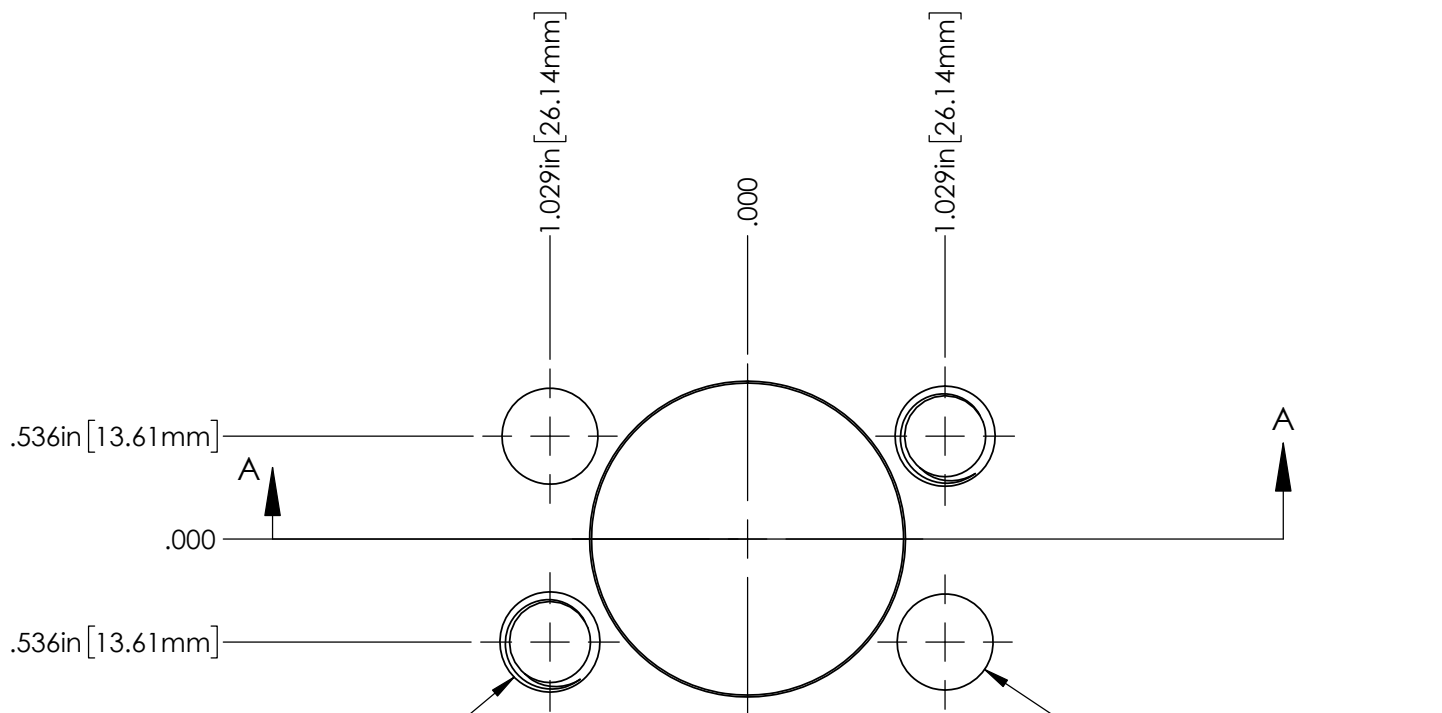
DO NOT SCALE DRAWING

REV 1

This product may be covered by one or more patents or patent applications.
 See <http://www.standardlifters.com/patents.html> for details.

GK0.75-N-Base-DowelAdaptor

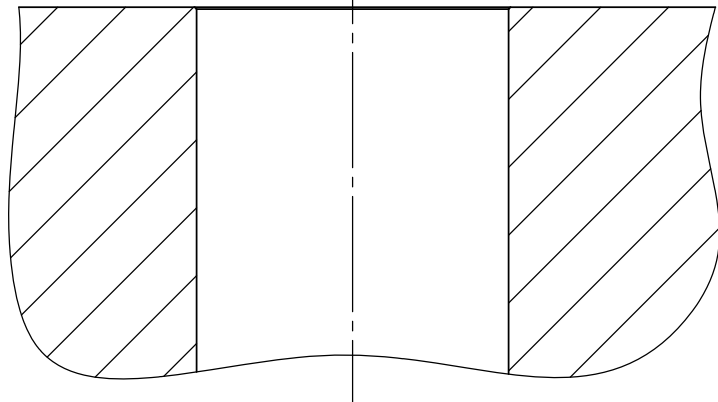
Standard Lifters Inc



"E" = 1/2-13 Tap
 "M" = M12-1.75 Tap
 (2) Places

Drill & Ream PF for Dowel
 "E" = ϕ .500in
 "M" = ϕ 12mm
 (2) Places

ϕ 1.625in
 [41.28mm]
 Clearance Bore

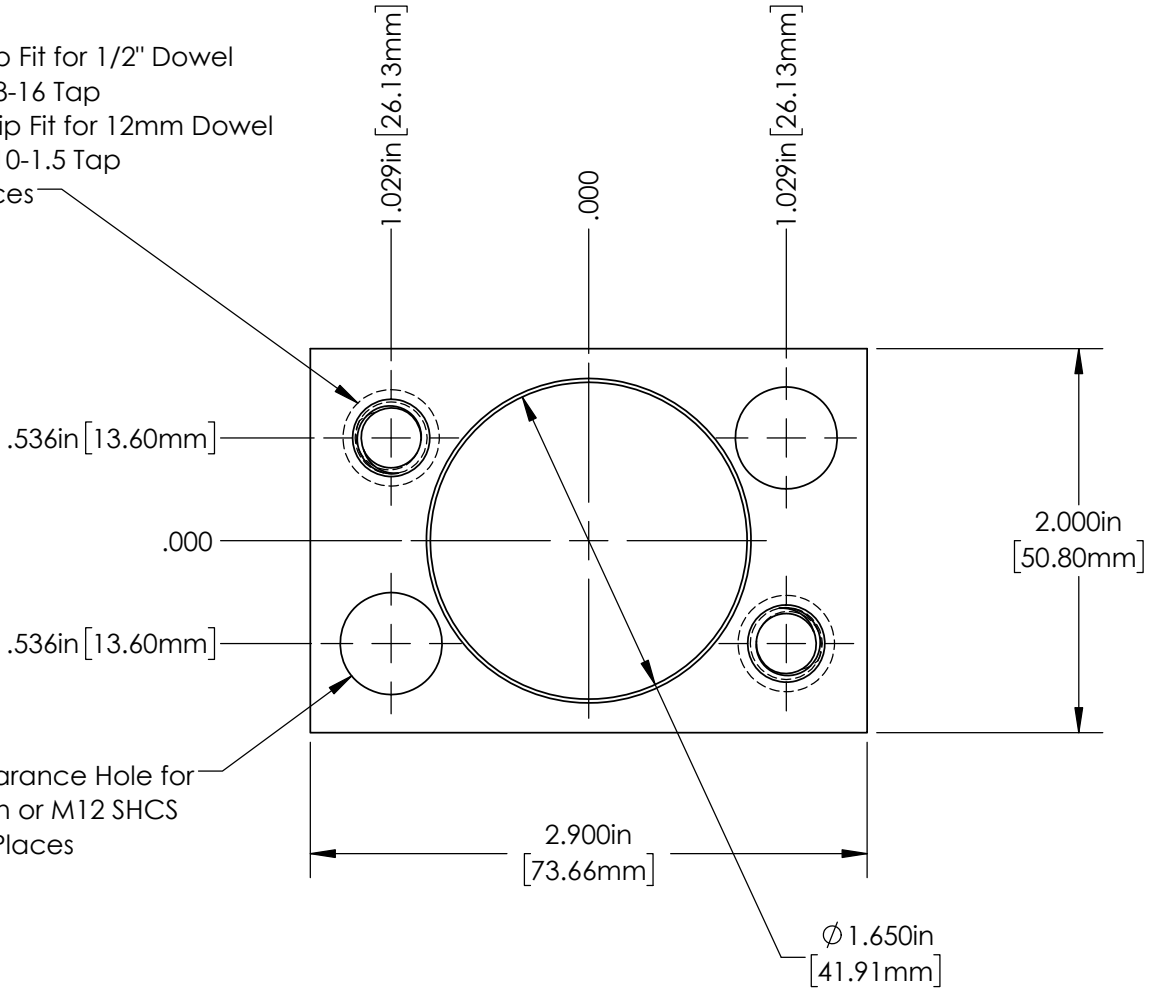


SECTION A-A

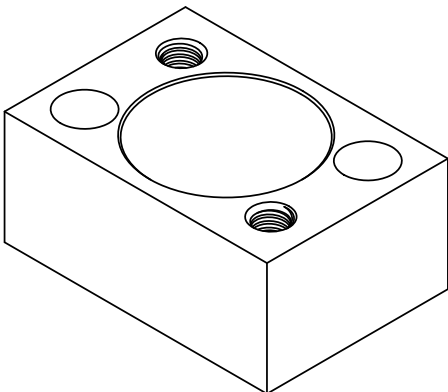
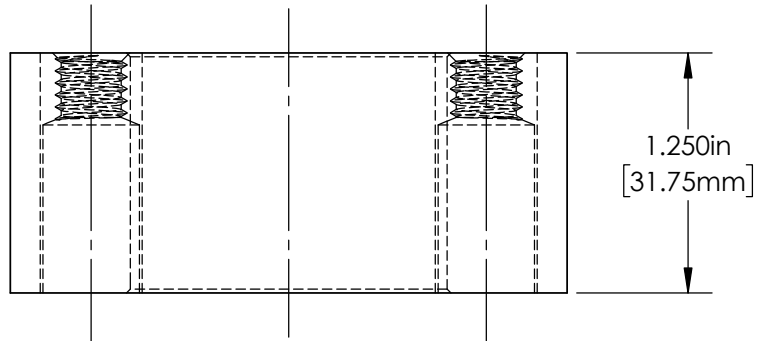
DO NOT SCALE DRAWING	REV 1
This product may be covered by one or more patents or patent applications. See http://www.standardlifters.com/patents.html for details.	

GK1.00-N-DowelAdaptor Machining
Standard Lifters Inc

"E" = Slip Fit for 1/2" Dowel
 3/8-16 Tap
 "M" = Slip Fit for 12mm Dowel
 M10-1.5 Tap
 (2) Places



Clearance Hole for
 1/2in or M12 SHCS
 (2) Places



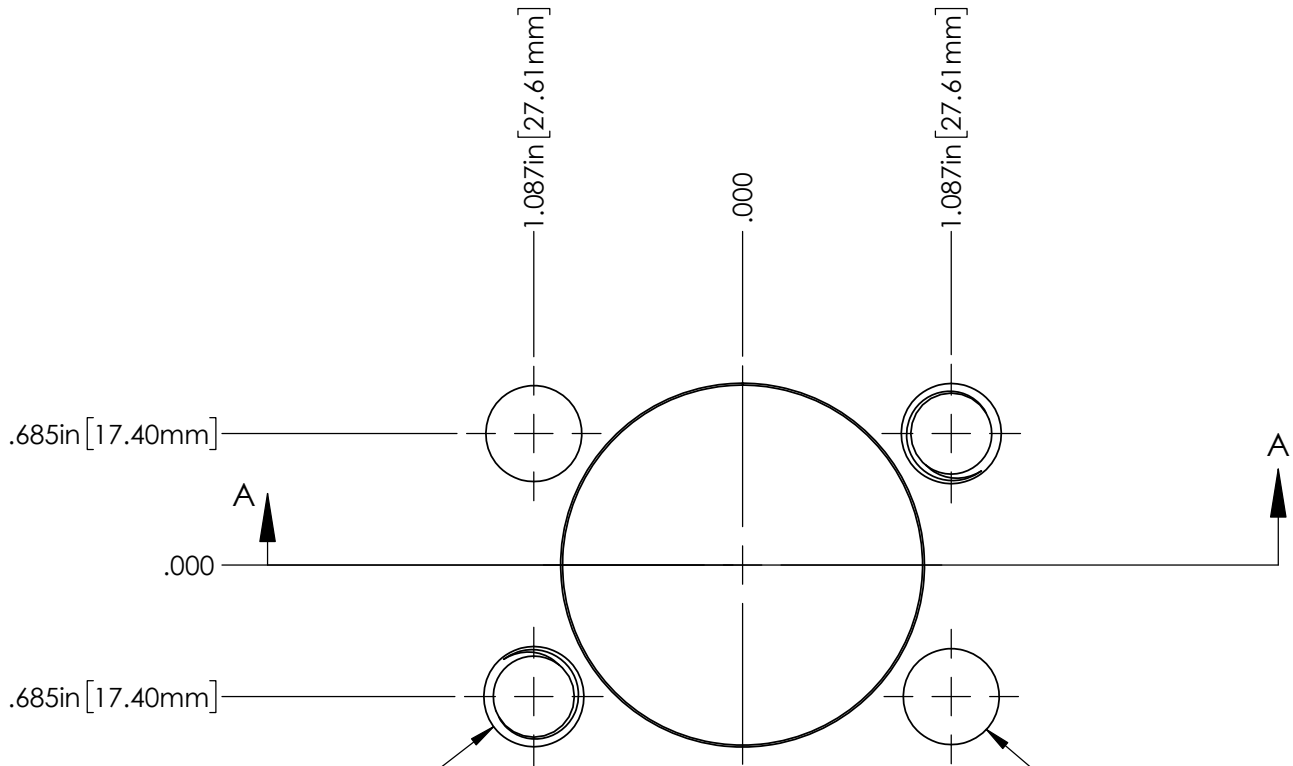
DO NOT SCALE DRAWING

REV 1

This product may be covered by one or more patents or patent applications.
 See <http://www.standardlifters.com/patents.html> for details.

GK1.00-N-DowelAdaptor

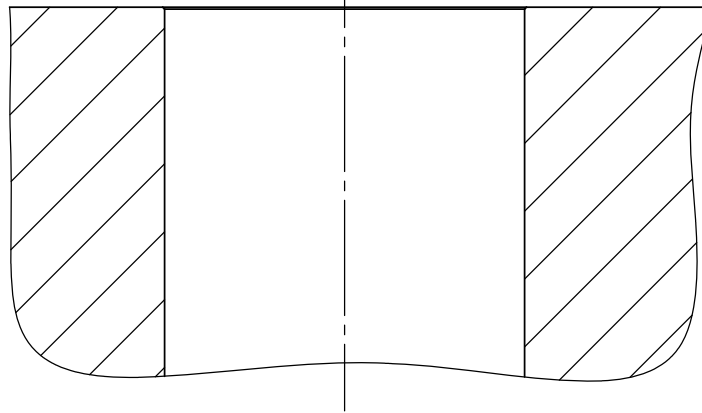
Standard Lifters Inc



"E" = 1/2-13 Tap
 "M" = M12-1.75 Tap
 (2) Places

Drill & Ream PF for Dowel
 "E" = ϕ .500in
 "M" = ϕ 12mm
 (2) Places

ϕ 1.875in
 [47.63mm]
 Clearance Bore



SECTION A-A

DO NOT SCALE DRAWING

REV 1

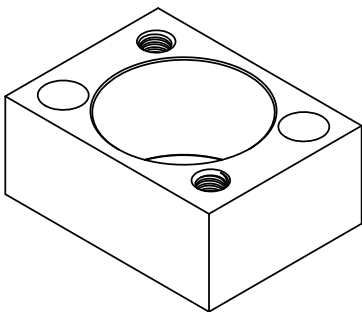
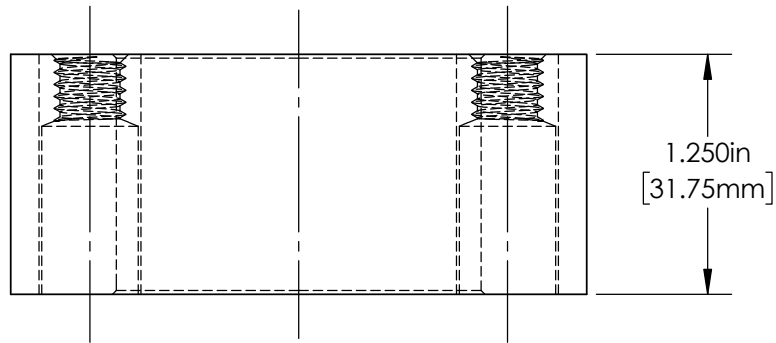
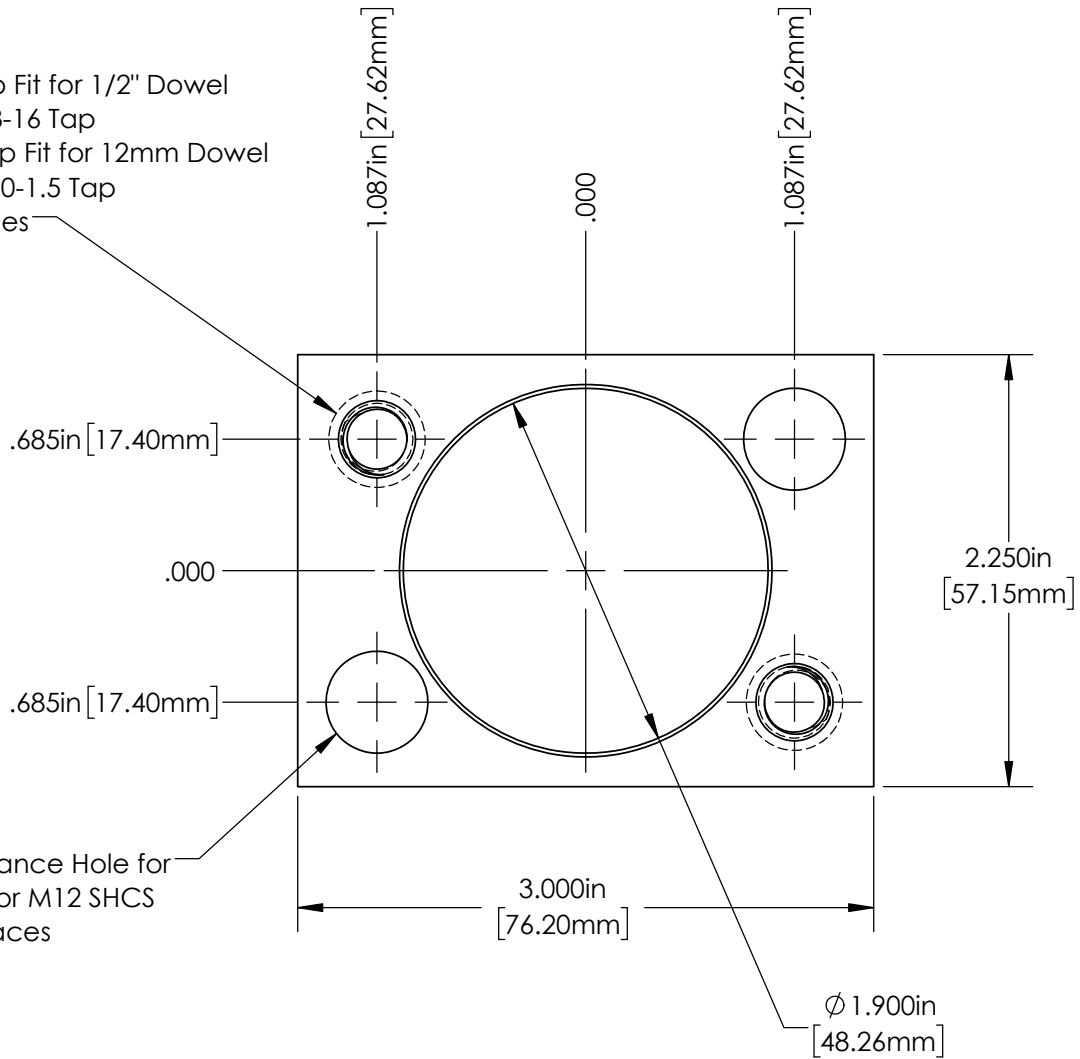
This product may be covered by one or more patents or patent applications.
 See <http://www.standardlifters.com/patents.html> for details.

GK1.25-N-DowelAdaptor Machining

Standard Lifters Inc

"E" = Slip Fit for 1/2" Dowel
 3/8-16 Tap
 "M" = Slip Fit for 12mm Dowel
 M10-1.5 Tap
 (2) Places

Clearance Hole for
 1/2in or M12 SHCS
 (2) Places



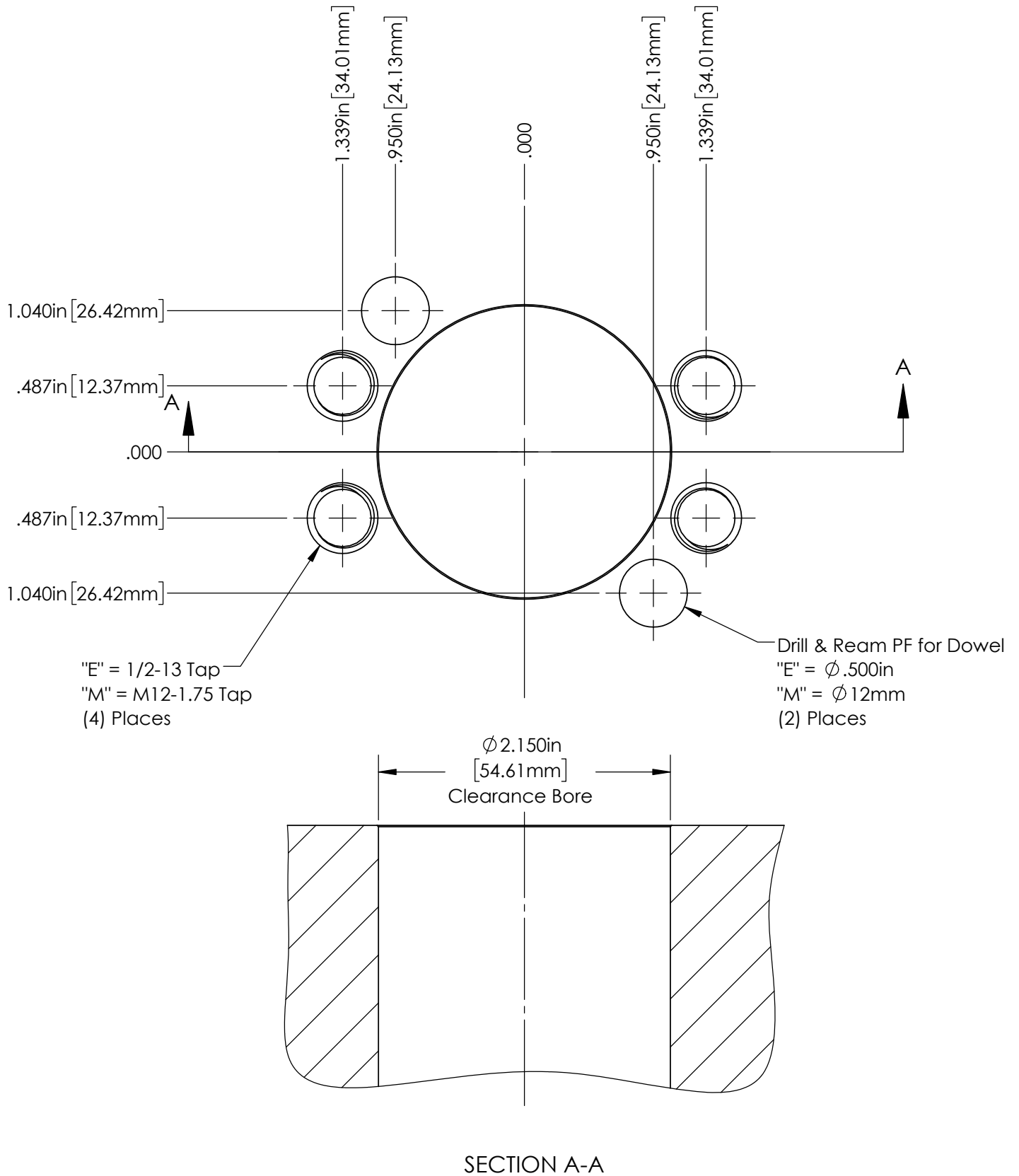
DO NOT SCALE DRAWING

REV 1

This product may be covered by one or more patents or patent applications.
 See <http://www.standardlifters.com/patents.html> for details.

GK1.25-N-DowelAdaptor

Standard Lifters Inc

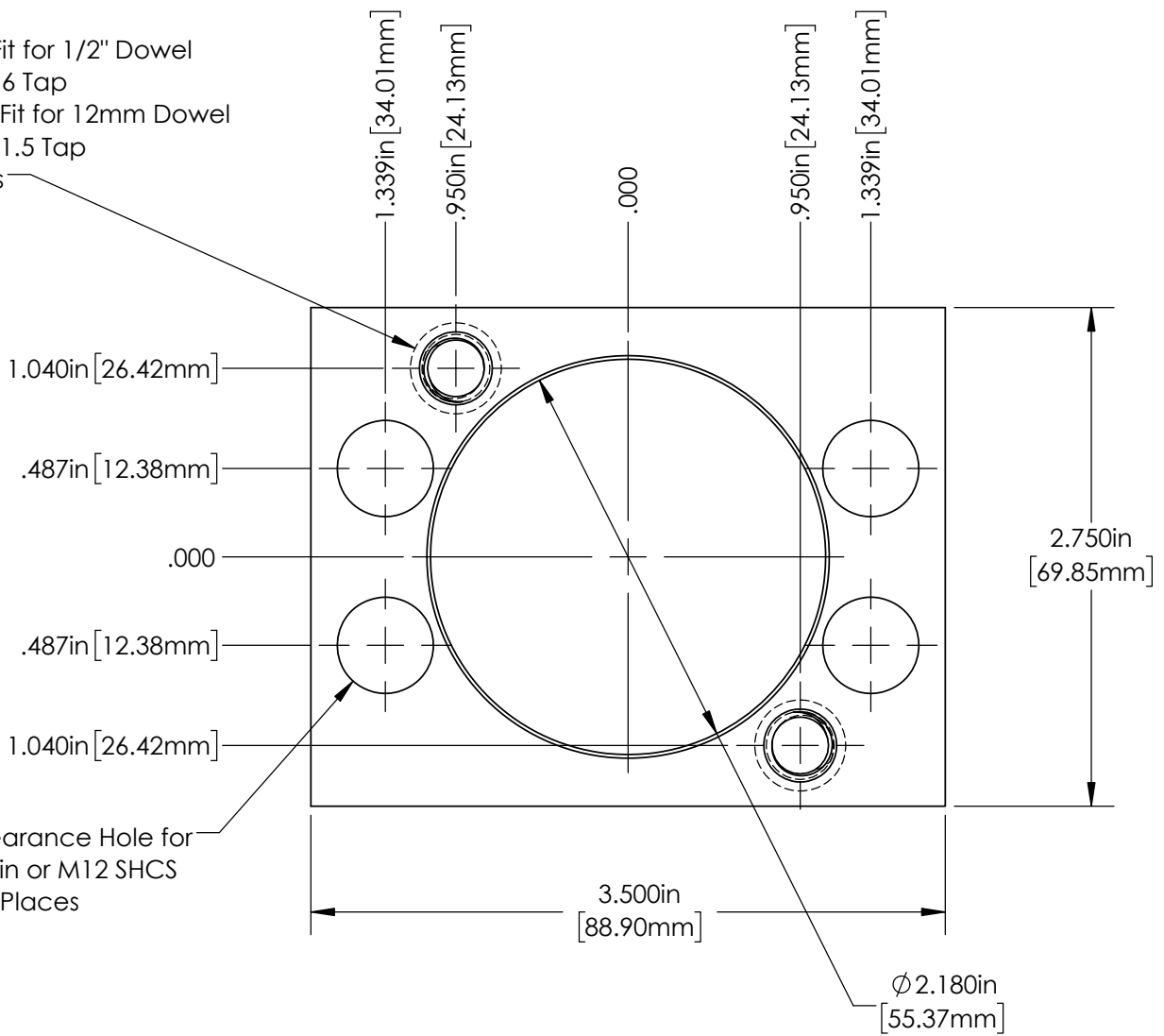


DO NOT SCALE DRAWING REV 1

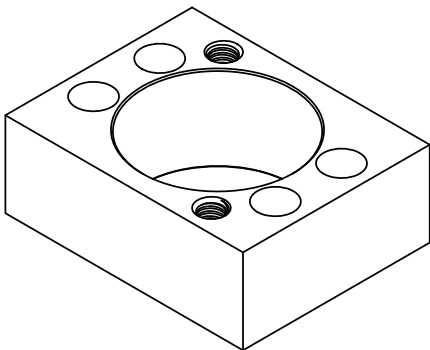
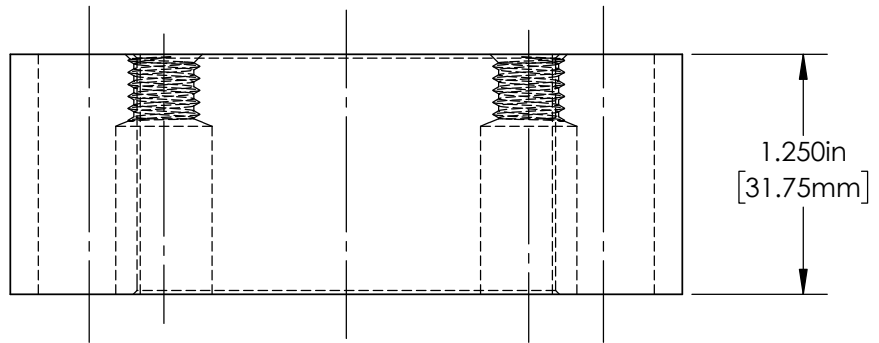
This product may be covered by one or more patents or patent applications.
See <http://www.standardlifters.com/patents.html> for details.

GK1.50-N-DowelAdaptor Machining
Standard Lifters Inc

"E" = Slip Fit for 1/2" Dowel
 3/8-16 Tap
 "M" = Slip Fit for 12mm Dowel
 M10-1.5 Tap
 (2) Places



Clearance Hole for
 1/2in or M12 SHCS
 (4) Places



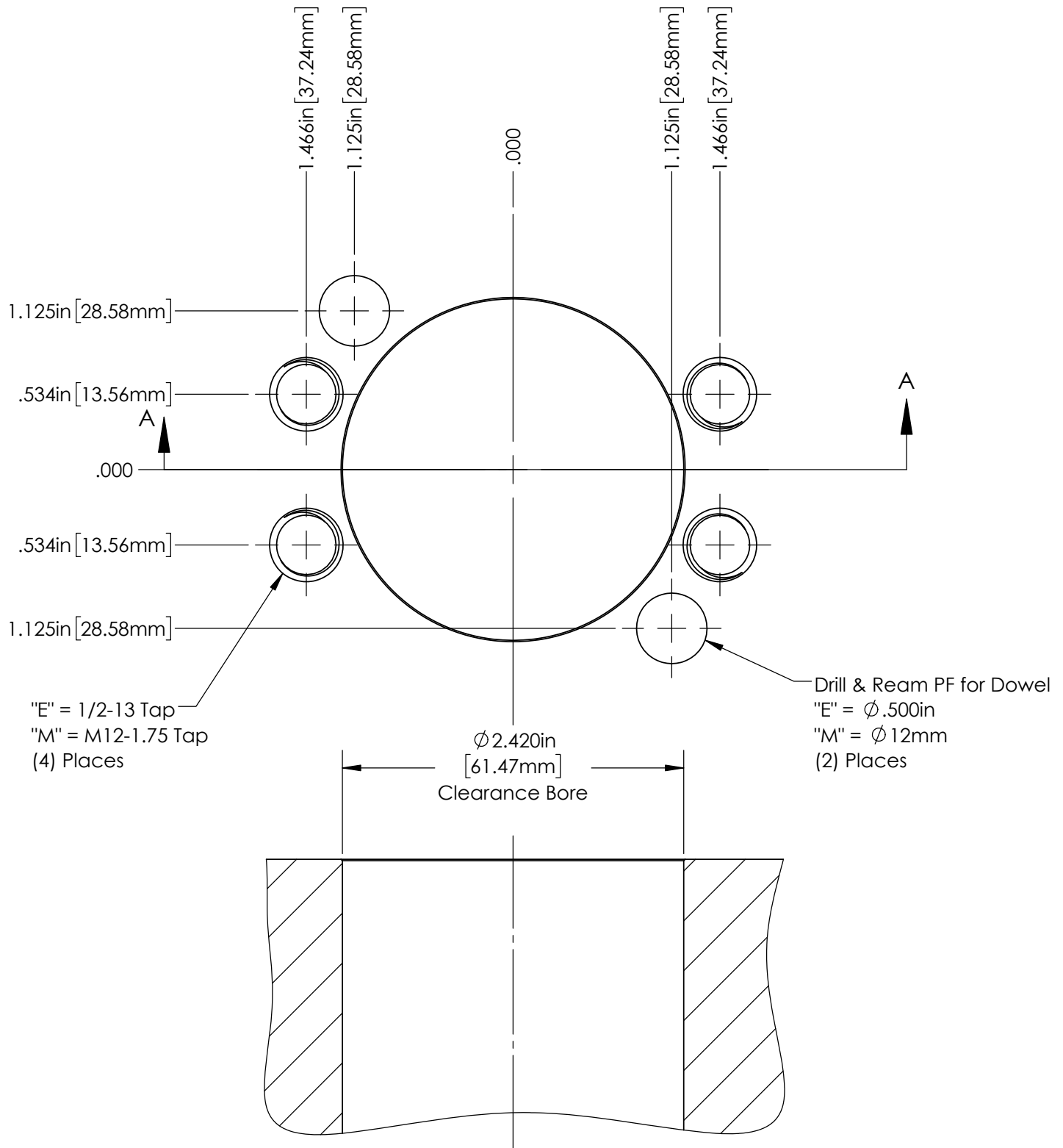
DO NOT SCALE DRAWING

REV 1

This product may be covered by one or more patents or patent applications.
 See <http://www.standardlifters.com/patents.html> for details.

GK1.50-N-DowelAdaptor

Standard Lifters Inc

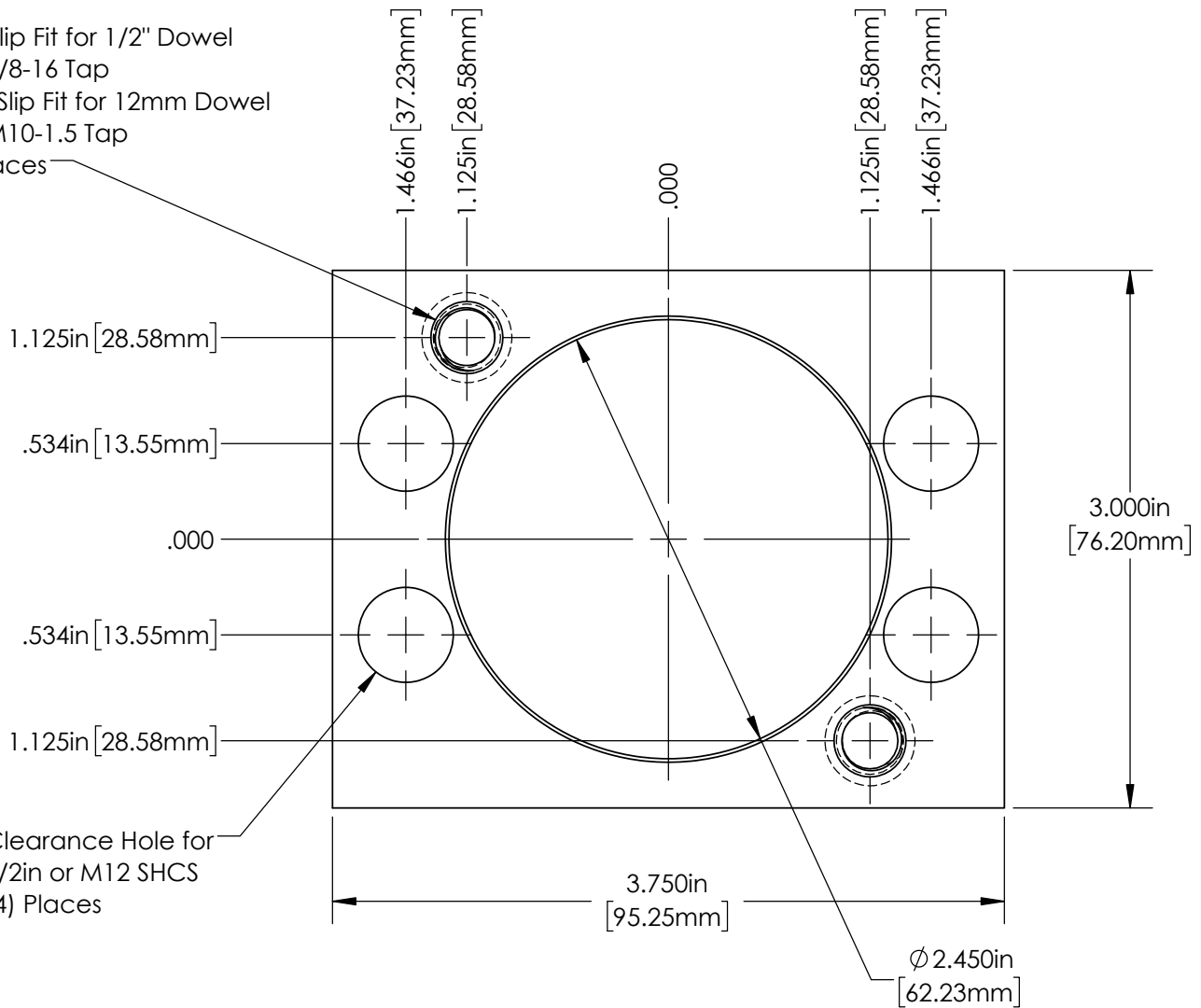


DO NOT SCALE DRAWING REV 1

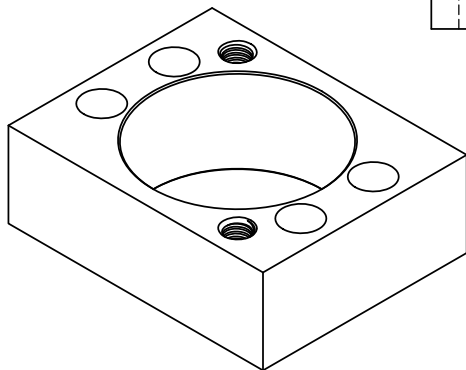
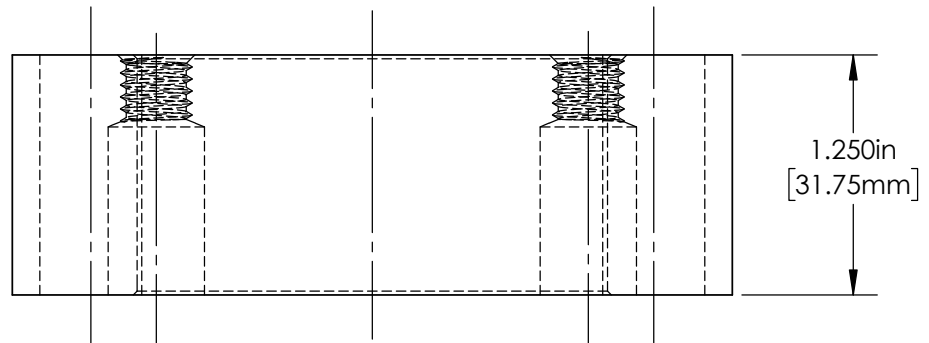
This product may be covered by one or more patents or patent applications.
See <http://www.standardlifters.com/patents.html> for details.

GK1.75-N-DowelAdaptor Machining
Standard Lifters Inc

"E" = Slip Fit for 1/2" Dowel
 3/8-16 Tap
 "M" = Slip Fit for 12mm Dowel
 M10-1.5 Tap
 (2) Places



Clearance Hole for
 1/2in or M12 SHCS
 (4) Places



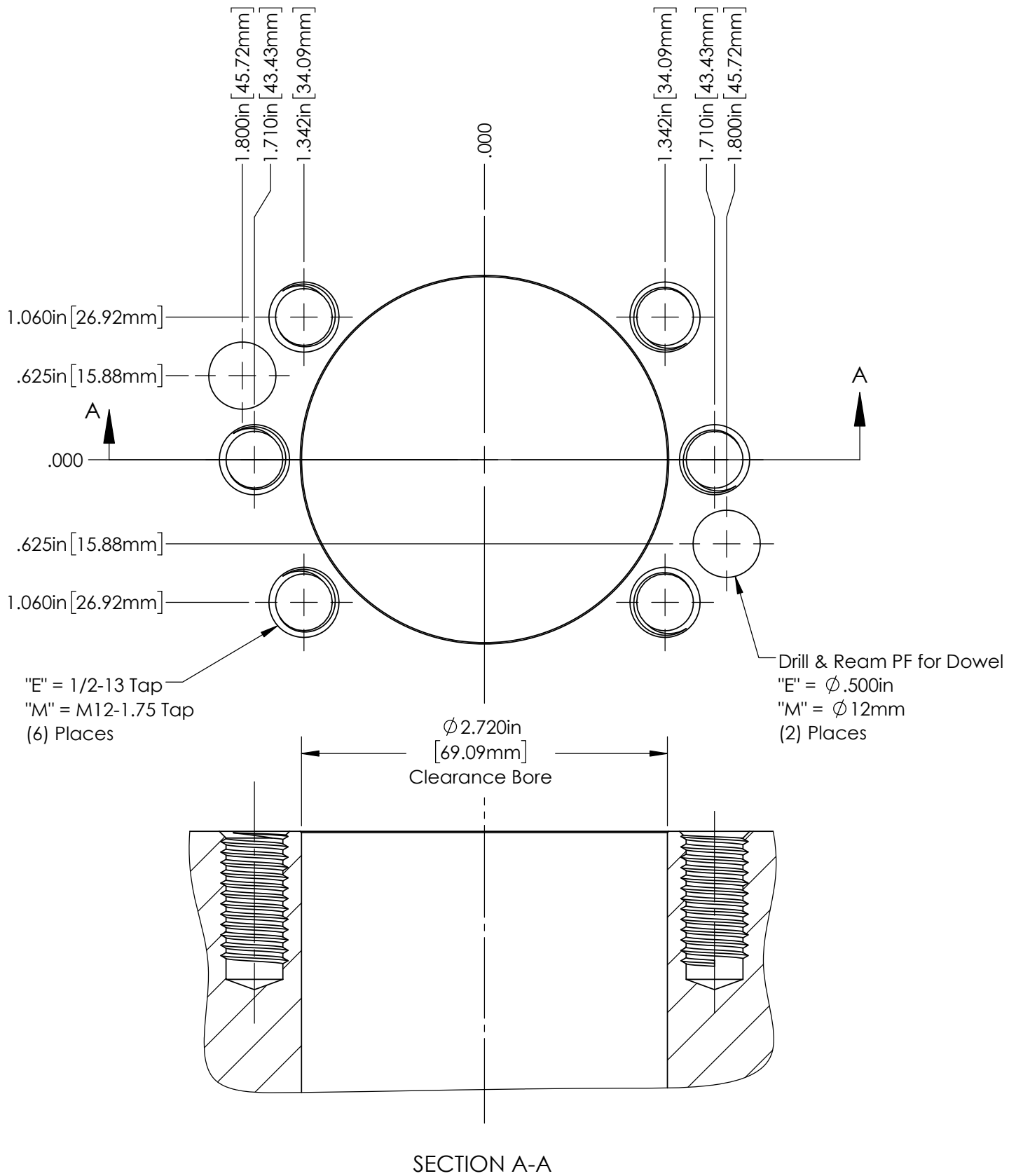
DO NOT SCALE DRAWING

REV 1

This product may be covered by one or more patents or patent applications.
 See <http://www.standardlifters.com/patents.html> for details.

GK1.75-N-DowelAdaptor

Standard Lifters Inc



DO NOT SCALE DRAWING

REV 1

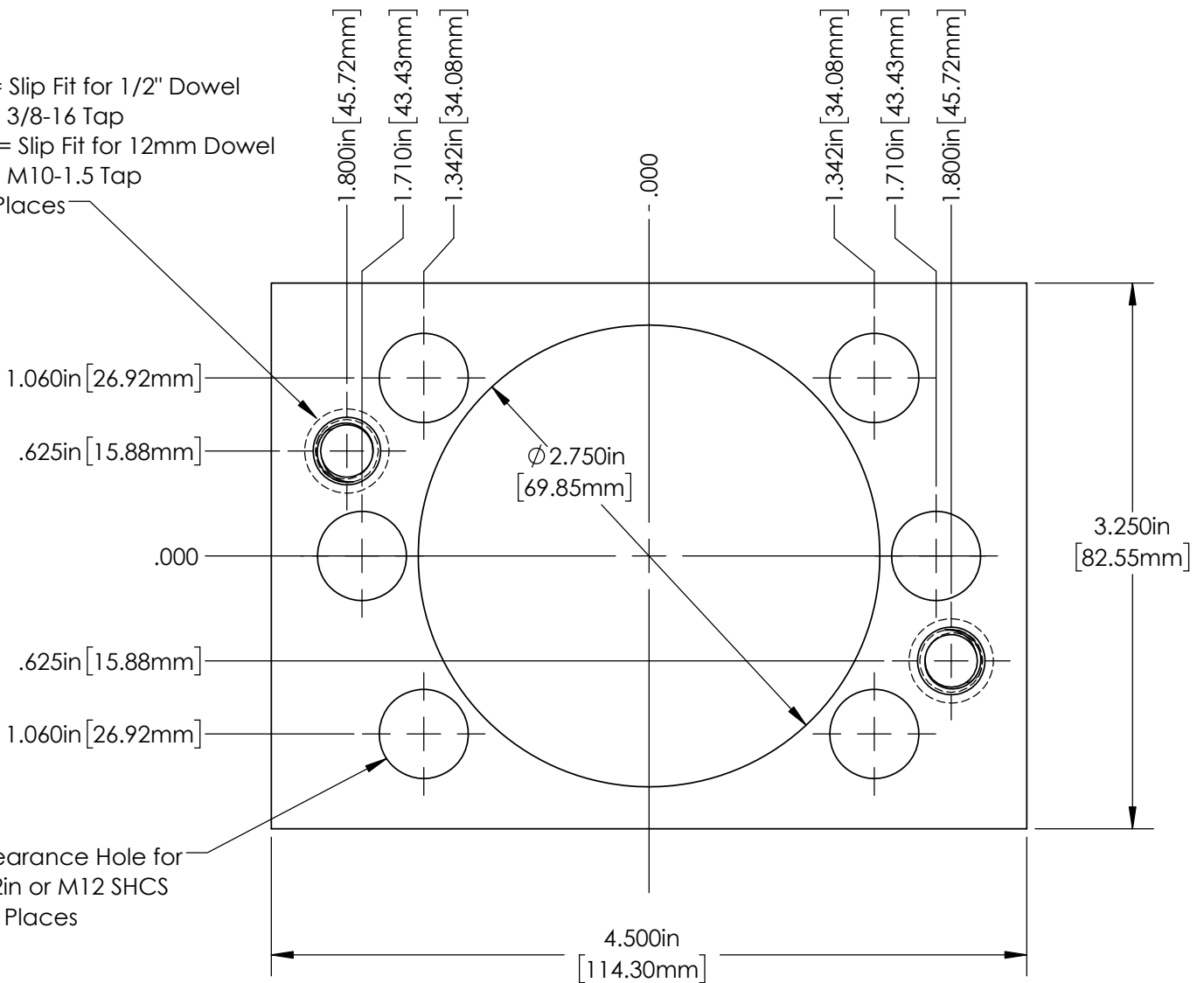
This product may be covered by one or more patents or patent applications.
See <http://www.standardlifters.com/patents.html> for details.

GK2.00-N-DowelAdaptor Machining

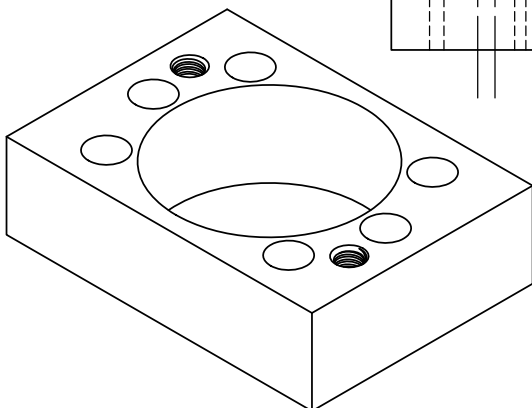
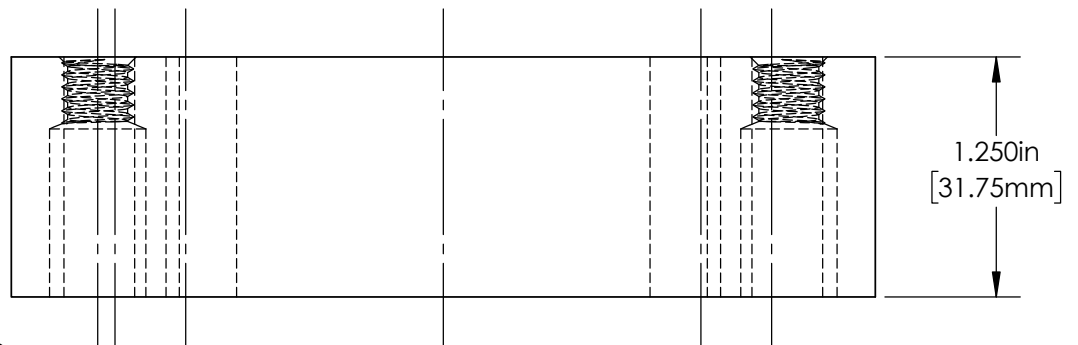
Standard Lifters Inc

"E" = Slip Fit for 1/2" Dowel
 3/8-16 Tap
 "M" = Slip Fit for 12mm Dowel
 M10-1.5 Tap

(2) Places



Clearance Hole for
 1/2in or M12 SHCS
 (6) Places



DO NOT SCALE DRAWING REV 1
 This product may be covered by one or more patents or patent applications.
 See <http://www.standardlifters.com/patents.html> for details.

GK2.00-N-DowelAdaptor
Standard Lifters Inc