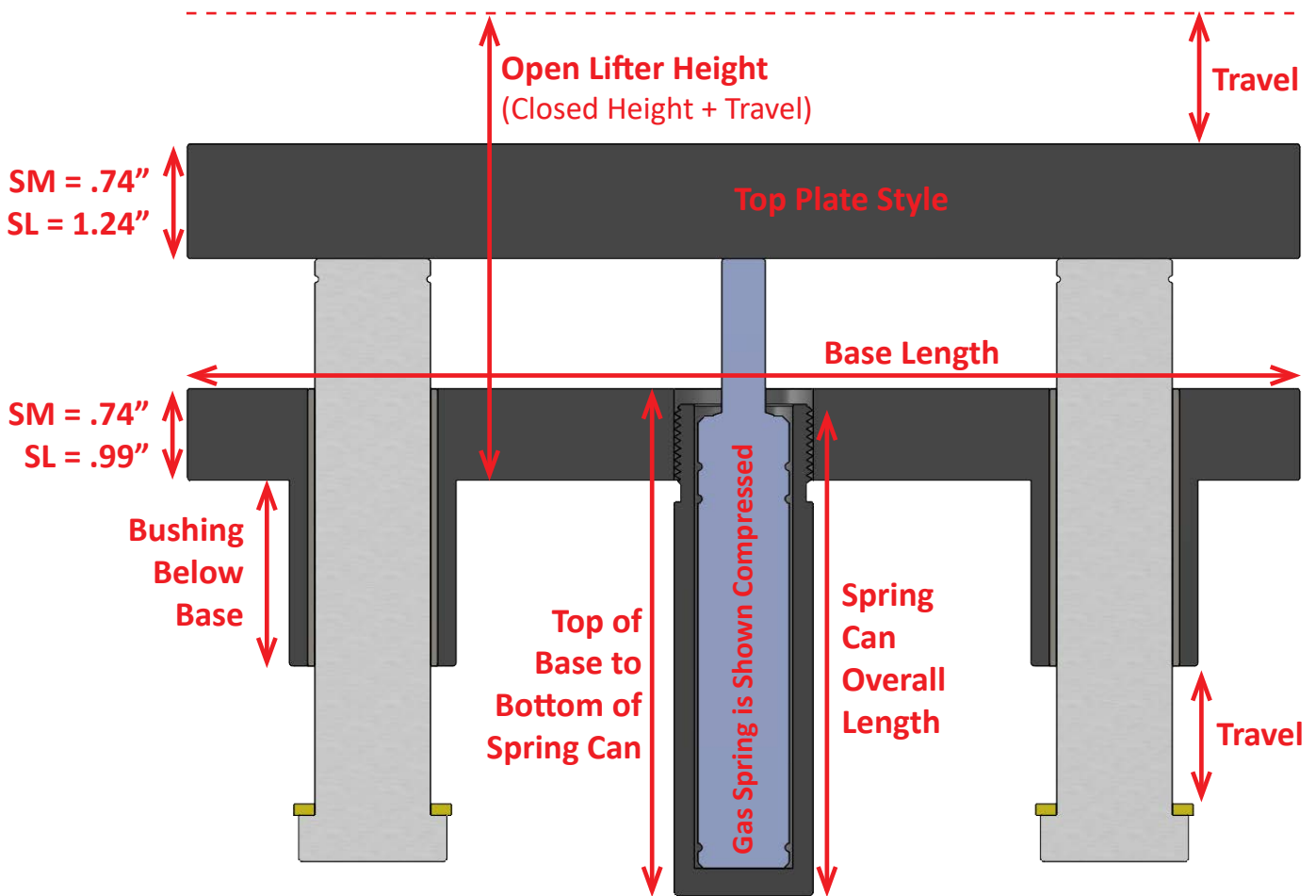


Rail Lifters Configuration Information



Lifter Series	English/ Metric	Open Lifter Height	Travel	Base Length	Bushing Below Base	Top Plate Style
SM12	M	4.25	2.303	5.375	1.25	NTP
	E or M	in .125" Inc.	See configuration data for options			A, NTP*

*NTP = No Top Plate

The following pages provide dimensional details for the various Rail Lifter Configurations. These are the “standard” configurations although the parts of the assembly can be changed to create other configurations. Contact SL with any questions.



Series	Open Height	Travel (up to)	STD Top Plate Thickness	Bushing Length Below the Base	Gas Spring Size(mm)	Spring Can OAL Length	Guide Pin Length	OAL Gas Spring Length	Gas Spring Body Length	Top of Base to Bottom of Can
SM	1.625	0.125	0.75	1.250	15	2.875	2.375	2.835	2.195	3.010
SM	1.750	0.250	0.75	1.250	15	2.875	2.500	2.835	2.195	2.885
SM	1.875	0.375	0.75	1.250	25	3.250	2.625	3.622	2.589	3.547
SM	2.000	0.500	0.75	1.250	25	3.250	2.750	3.622	2.589	3.422
SM	2.125	0.625	0.75	1.250	25	3.250	2.875	3.622	2.589	3.297
SM	2.250	0.750	0.75	1.250	25	2.875	3.000	3.622	2.589	3.172
SM	2.375	0.875	0.75	1.250	25	2.875	3.125	3.622	2.589	3.047
SM	2.500	0.886	0.75	1.250	25	2.875	3.250	3.622	2.589	2.922
SM	2.500	1.000	0.75	1.250	38	3.625	3.250	4.646	3.101	3.946
SM	2.625	1.125	0.75	1.250	38	3.625	3.375	4.646	3.101	3.821
SM	2.750	1.250	0.75	1.250	38	3.625	3.500	4.646	3.101	3.696
SM	2.875	1.346	0.75	1.250	38	3.250	3.625	4.646	3.101	3.571
SM	2.875	1.375	0.75	1.250	50	4.375	3.625	5.591	3.573	4.516
SM	3.000	1.346	0.75	1.250	38	3.250	3.750	4.646	3.101	3.446
SM	3.000	1.500	0.75	1.250	50	4.375	3.750	5.591	3.573	4.391
SM	3.125	1.346	0.75	1.250	38	3.250	3.875	4.646	3.101	3.321
SM	3.125	1.625	0.75	1.250	50	4.000	3.875	5.591	3.573	4.266
SM	3.250	1.750	0.75	1.250	50	4.000	4.000	5.591	3.573	4.141
SM	3.375	1.772	0.75	1.250	50	4.000	4.125	5.591	3.573	4.016
SM	3.375	1.875	0.75	1.250	65	5.125	4.125	6.772	4.164	5.197
SM	3.500	1.772	0.75	1.250	50	3.625	4.250	5.591	3.573	3.891
SM	3.500	2.000	0.75	1.250	65	4.750	4.250	6.772	4.164	5.072
SM	3.625	1.772	0.75	1.250	50	3.625	4.375	5.591	3.573	3.766
SM	3.625	2.125	0.75	1.250	65	4.750	4.375	6.772	4.164	4.947
SM	3.750	1.772	0.75	1.250	50	3.625	4.500	5.591	3.573	3.641
SM	3.750	2.250	0.75	1.250	65	4.750	4.500	6.772	4.164	4.822
SM	3.875	2.303	0.75	1.250	65	4.375	4.625	6.772	4.164	4.697
SM	3.875	2.375	0.75	1.250	80	5.875	4.625	8.071	4.872	5.996
SM	4.000	2.303	0.75	1.250	65	4.375	4.750	6.772	4.164	4.572
SM	4.000	2.500	0.75	1.250	80	5.500	4.750	8.071	4.872	5.871
SM	4.125	2.303	0.75	1.250	65	4.375	4.875	6.772	4.164	4.447
SM	4.125	2.625	0.75	1.250	80	5.500	4.875	8.071	4.872	5.746
SM	4.250	2.303	0.75	1.250	65	4.000	5.000	6.772	4.164	4.322
SM	4.250	2.750	0.75	1.250	80	5.500	5.000	8.071	4.872	5.621
SM	4.375	2.303	0.75	1.250	65	4.000	5.125	6.772	4.164	4.197
SM	4.375	2.835	0.75	1.250	80	5.125	5.125	8.071	4.872	5.496
SM	4.375	2.875	0.75	1.250	100	7.000	5.125	9.646	5.660	7.071
SM	4.500	2.303	0.75	1.250	65	4.000	5.250	6.772	4.164	4.072
SM	4.500	2.835	0.75	1.250	80	5.125	5.250	8.071	4.872	5.371
SM	4.500	3.000	0.75	1.250	100	6.625	5.250	9.646	5.660	6.946
SM	4.625	2.303	0.75	1.250	65	3.625	5.375	6.772	4.164	3.947
SM	4.625	2.835	0.75	1.250	80	5.125	5.375	8.071	4.872	5.246
SM	4.625	3.125	0.75	1.250	100	6.625	5.375	9.646	5.660	6.821
SM	4.750	2.303	0.75	1.250	65	3.625	5.500	6.772	4.164	3.822
SM	4.750	2.835	0.75	1.250	80	4.750	5.500	8.071	4.872	5.121
SM	4.750	3.250	0.75	1.250	100	6.625	5.500	9.646	5.660	6.696
SM	4.875	2.303	0.75	1.250	65	3.625	5.625	6.772	4.164	3.697
SM	4.875	2.835	0.75	1.250	80	4.750	5.625	8.071	4.872	4.996
SM	4.875	3.375	0.75	1.250	100	6.250	5.625	9.646	5.660	6.571
SL	2.375	0.125	1.25	2.000	15	2.8	3.250	2.835	2.195	3.000
SL	2.500	0.250	1.25	2.000	15	2.8	3.375	2.835	2.195	2.875
SL	2.625	0.375	1.25	2.000	25	3.3	3.500	3.622	2.589	3.537
SL	2.750	0.500	1.25	2.000	25	3.3	3.625	3.622	2.589	3.412
SL	2.875	0.625	1.25	2.000	25	2.8	3.750	3.622	2.589	3.287

Series	Open Height	Travel (up to)	STD Top Plate Thickness	Bushing Length Below the Base	Gas Spring Size(mm)	Spring Can OAL Length	Guide Pin Length	OAL Gas Spring Length	Gas Spring Body Length	Top of Base to Bottom of Can
SL	3.000	0.750	1.25	2.000	25	2.8	3.875	3.622	2.589	3.162
SL	3.125	0.875	1.25	2.000	25	2.8	4.000	3.622	2.589	3.037
SL	3.250	0.886	1.25	2.000	25	2.8	4.125	3.622	2.589	2.912
SL	3.250	1.000	1.25	2.000	38	3.8	4.125	4.646	3.101	3.936
SL	3.375	1.125	1.25	2.000	38	3.8	4.250	4.646	3.101	3.811
SL	3.500	1.250	1.25	2.000	38	3.3	4.375	4.646	3.101	3.686
SL	3.625	1.346	1.25	2.000	38	3.3	4.500	4.646	3.101	3.561
SL	3.625	1.375	1.25	2.000	50	4.3	4.500	5.591	3.573	4.506
SL	3.750	1.346	1.25	2.000	38	3.3	4.625	4.646	3.101	3.436
SL	3.750	1.500	1.25	2.000	50	4.3	4.625	5.591	3.573	4.381
SL	3.875	1.346	1.25	2.000	38	3.3	4.750	4.646	3.101	3.311
SL	3.875	1.625	1.25	2.000	50	3.8	4.750	5.591	3.573	4.256
SL	4.000	1.750	1.25	2.000	50	3.8	4.875	5.591	3.573	4.131
SL	4.125	1.772	1.25	2.000	50	3.8	5.000	5.591	3.573	4.006
SL	4.125	1.875	1.25	2.000	65	4.8	5.000	6.772	4.164	5.187
SL	4.250	1.772	1.25	2.000	50	3.8	5.125	5.591	3.573	3.881
SL	4.250	2.000	1.25	2.000	65	4.8	5.125	6.772	4.164	5.062
SL	4.375	2.125	1.25	2.000	65	4.8	5.250	6.772	4.164	4.937
SL	4.500	2.250	1.25	2.000	65	4.8	5.375	6.772	4.164	4.812
SL	4.625	2.303	1.25	2.000	65	4.3	5.500	6.772	4.164	4.687
SL	4.625	2.375	1.25	2.000	80	5.8	5.500	8.071	4.872	5.986
SL	4.750	2.303	1.25	2.000	65	4.3	5.625	6.772	4.164	4.562
SL	4.750	2.500	1.25	2.000	80	5.8	5.625	8.071	4.872	5.861
SL	4.875	2.303	1.25	2.000	65	4.3	5.750	6.772	4.164	4.437
SL	4.875	2.625	1.25	2.000	80	5.3	5.750	8.071	4.872	5.736
SL	5.000	2.303	1.25	2.000	65	4.3	5.875	6.772	4.164	4.312
SL	5.000	2.750	1.25	2.000	80	5.3	5.875	8.071	4.872	5.611
SL	5.125	2.303	1.25	2.000	65	3.8	6.000	6.772	4.164	4.187
SL	5.125	2.835	1.25	2.000	80	5.3	6.000	8.071	4.872	5.486
SL	5.125	2.875	1.25	2.000	100	6.8	6.000	9.646	5.660	7.061
SL	5.250	2.303	1.25	2.000	65	3.8	6.125	6.772	4.164	4.062
SL	5.250	2.835	1.25	2.000	80	5.3	6.125	8.071	4.872	5.361
SL	5.250	3.000	1.25	2.000	100	6.8	6.125	9.646	5.660	6.936
SL	5.375	2.303	1.25	2.000	65	3.8	6.250	6.772	4.164	3.937
SL	5.375	2.835	1.25	2.000	80	4.8	6.250	8.071	4.872	5.236
SL	5.375	3.125	1.25	2.000	100	6.8	6.250	9.646	5.660	6.811
SL	5.500	2.303	1.25	2.000	65	3.8	6.375	6.772	4.164	3.812
SL	5.500	2.835	1.25	2.000	80	4.8	6.375	8.071	4.872	5.111
SL	5.500	3.250	1.25	2.000	100	6.3	6.375	9.646	5.660	6.686
SL	5.625	2.835	1.25	2.000	80	4.8	6.500	8.071	4.872	4.986
SL	5.625	3.375	1.25	2.000	100	6.3	6.500	9.646	5.660	6.561
SL	5.750	2.835	1.25	2.000	80	4.8	6.625	8.071	4.872	4.861
SL	5.750	3.500	1.25	2.000	100	6.3	6.625	9.646	5.660	6.436
SL	5.875	2.835	1.25	2.000	80	4.3	6.750	8.071	4.872	4.736
SL	5.875	3.543	1.25	2.000	100	6.3	6.750	9.646	5.660	6.311
SL	5.875	3.625	1.25	2.000	125	7.8	6.750	11.614	6.644	8.279
SL	6.000	2.835	1.25	2.000	80	4.3	6.875	8.071	4.872	4.611
SL	6.000	3.543	1.25	2.000	100	5.8	6.875	9.646	5.660	6.186
SL	6.000	3.750	1.25	2.000	125	7.8	6.875	11.614	6.644	8.154
SL	6.125	2.835	1.25	2.000	80	4.3	7.000	8.071	4.872	4.486
SL	6.125	3.543	1.25	2.000	100	5.8	7.000	9.646	5.660	6.061
SL	6.125	3.875	1.25	2.000	125	7.8	7.000	11.614	6.644	8.029
SL	6.250	2.835	1.25	2.000	80	4.3	7.125	8.071	4.872	4.361
SL	6.250	3.543	1.25	2.000	100	5.8	7.125	9.646	5.660	5.936

Series	Open Height	Travel (up to)	STD Top Plate Thickness	Bushing Length Below the Base	Gas Spring Size(mm)	Spring Can OAL Length	Guide Pin Length	OAL Gas Spring Length	Gas Spring Body Length	Top of Base to Bottom of Can
SL	6.250	4.000	1.25	2.000	125	7.8	7.125	11.614	6.644	7.904
SL	6.375	3.543	1.25	2.000	100	5.8	7.250	9.646	5.660	5.811
SL	6.375	4.125	1.25	2.000	125	7.3	7.250	11.614	6.644	7.779
SL	6.500	3.543	1.25	2.000	100	5.3	7.375	9.646	5.660	5.686
SL	6.500	4.250	1.25	2.000	125	7.3	7.375	11.614	6.644	7.654
SL	6.625	3.543	1.25	2.000	100	5.3	7.500	9.646	5.660	5.561
SL	6.625	4.375	1.25	2.000	125	7.3	7.500	11.614	6.644	7.529
SL	6.750	3.543	1.25	2.000	100	5.3	7.625	9.646	5.660	5.436
SL	6.750	4.429	1.25	2.000	125	7.3	7.625	11.614	6.644	7.404
SL	6.750	4.500	1.25	2.000	150	9.3	7.625	13.898	7.918	9.688
SL	6.875	3.543	1.25	2.000	100	5.3	7.750	9.646	5.660	5.311
SL	6.875	4.429	1.25	2.000	125	6.8	7.750	11.614	6.644	7.279
SL	6.875	4.625	1.25	2.000	150	9.3	7.750	13.898	7.918	9.563
SL	7.000	3.543	1.25	2.000	100	4.8	7.875	9.646	5.660	5.186
SL	7.000	4.429	1.25	2.000	125	6.8	7.875	11.614	6.644	7.154
SL	7.000	4.750	1.25	2.000	150	9.3	7.875	13.898	7.918	9.438
SL	7.125	3.543	1.25	2.000	100	4.8	8.000	9.646	5.660	5.061
SL	7.125	4.429	1.25	2.000	125	6.8	8.000	11.614	6.644	7.029
SL	7.125	4.875	1.25	2.000	150	9.3	8.000	13.898	7.918	9.313
SL	7.250	3.543	1.25	2.000	100	4.8	8.125	9.646	5.660	4.936
SL	7.250	4.429	1.25	2.000	125	6.8	8.125	11.614	6.644	6.904
SL	7.250	5.000	1.25	2.000	150	8.8	8.125	13.898	7.918	9.188
SL	7.375	3.543	1.25	2.000	100	4.8	8.250	9.646	5.660	4.811
SL	7.375	4.429	1.25	2.000	125	6.3	8.250	11.614	6.644	6.779
SL	7.375	5.125	1.25	2.000	150	8.8	8.250	13.898	7.918	9.063
SL	7.500	4.429	1.25	2.000	125	6.3	8.375	11.614	6.644	6.654
SL	7.500	5.250	1.25	2.000	150	8.8	8.375	13.898	7.918	8.938
SL	7.625	4.429	1.25	2.000	125	6.3	8.500	11.614	6.644	6.529
SL	7.625	5.315	1.25	2.000	150	8.8	8.500	13.898	7.918	8.813
SL	7.625	5.375	1.25	2.000	160	9.3	8.500	14.685	8.311	9.600
SL	7.750	4.429	1.25	2.000	125	6.3	8.625	11.614	6.644	6.404
SL	7.750	5.315	1.25	2.000	150	8.3	8.625	13.898	7.918	8.688
SL	7.750	5.500	1.25	2.000	160	9.3	8.625	14.685	8.311	9.475
SL	7.875	4.429	1.25	2.000	125	5.8	8.750	11.614	6.644	6.279
SL	7.875	5.315	1.25	2.000	150	8.3	8.750	13.898	7.918	8.563
SL	7.875	5.625	1.25	2.000	160	9.3	8.750	14.685	8.311	9.350
SL	8.000	4.429	1.25	2.000	125	5.8	8.875	11.614	6.644	6.154
SL	8.000	5.315	1.25	2.000	150	8.3	8.875	13.898	7.918	8.438
SL	8.000	5.669	1.25	2.000	160	8.8	8.875	14.685	8.311	9.225
SL	8.000	5.750	1.25	2.000	175	10.3	8.875	15.867	8.902	10.407
SL	8.125	4.429	1.25	2.000	125	5.8	9.000	11.614	6.644	6.029
SL	8.125	5.315	1.25	2.000	150	8.3	9.000	13.898	7.918	8.313
SL	8.125	5.669	1.25	2.000	160	8.8	9.000	14.685	8.311	9.100
SL	8.125	5.875	1.25	2.000	175	9.8	9.000	15.867	8.902	10.282
SL	8.250	4.429	1.25	2.000	125	5.8	9.125	11.614	6.644	5.904
SL	8.250	5.315	1.25	2.000	150	7.8	9.125	13.898	7.918	8.188
SL	8.250	5.669	1.25	2.000	160	8.8	9.125	14.685	8.311	8.975
SL	8.250	6.000	1.25	2.000	175	9.8	9.125	15.867	8.902	10.157
SL	8.375	4.429	1.25	2.000	125	5.3	9.250	11.614	6.644	5.779
SL	8.375	5.315	1.25	2.000	150	7.8	9.250	13.898	7.918	8.063
SL	8.375	5.669	1.25	2.000	160	8.8	9.250	14.685	8.311	8.850
SL	8.375	6.125	1.25	2.000	175	9.8	9.250	15.867	8.902	10.032