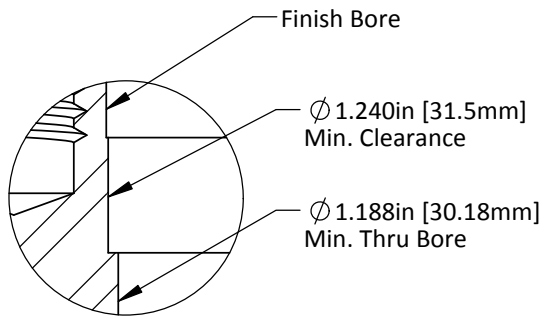
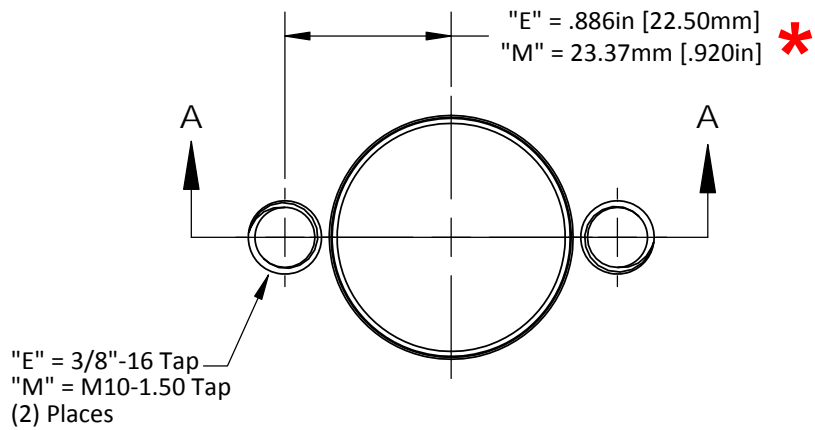
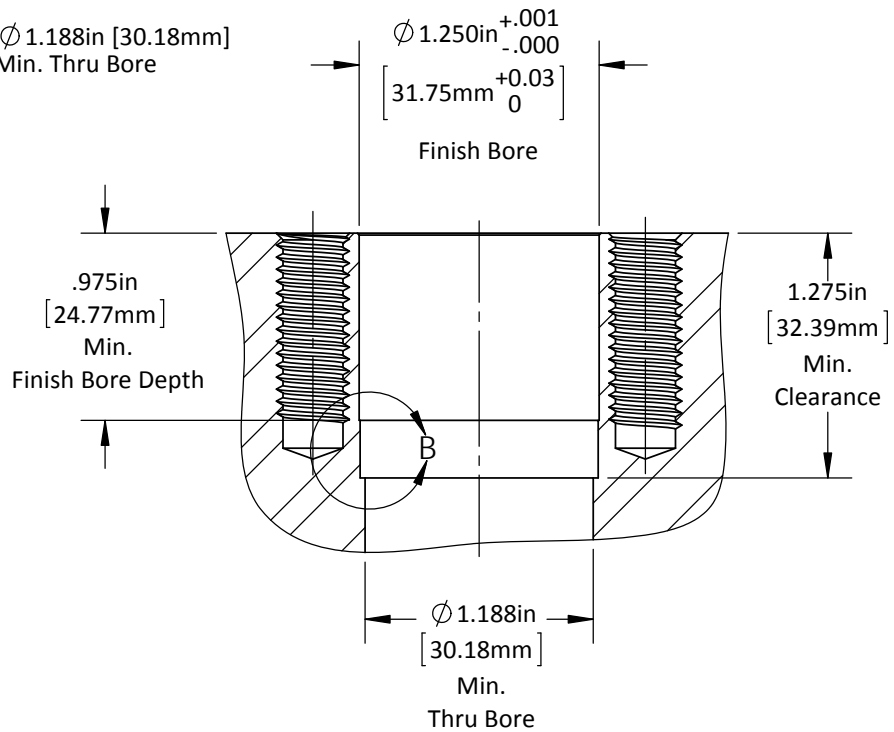


**\*Caution: English & Metric Hole Locations are NOT the Same!**



DETAIL B  
SCALE 2 : 1



DO NOT SCALE DRAWING

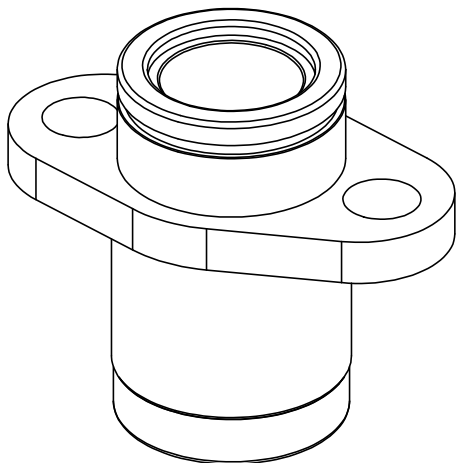
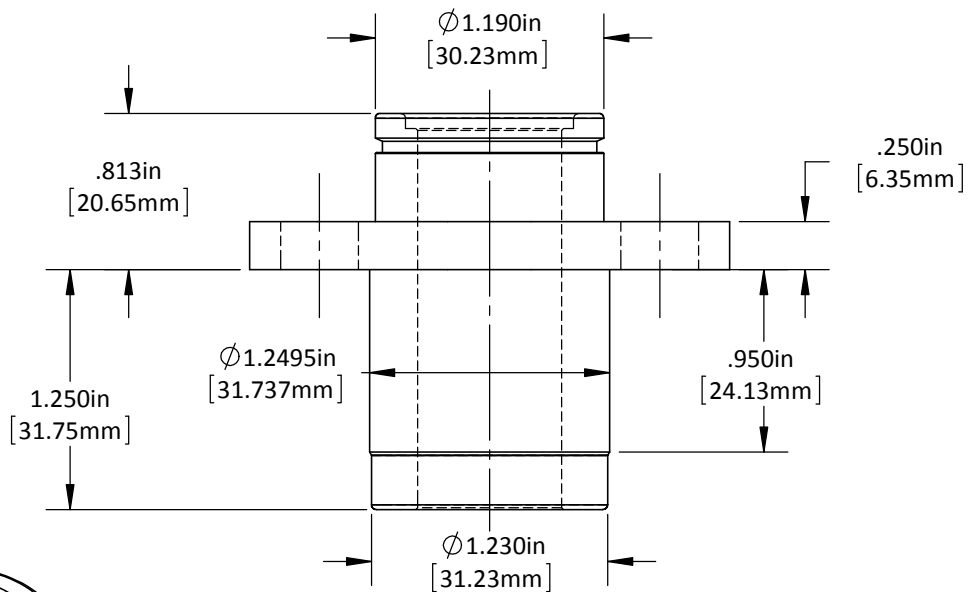
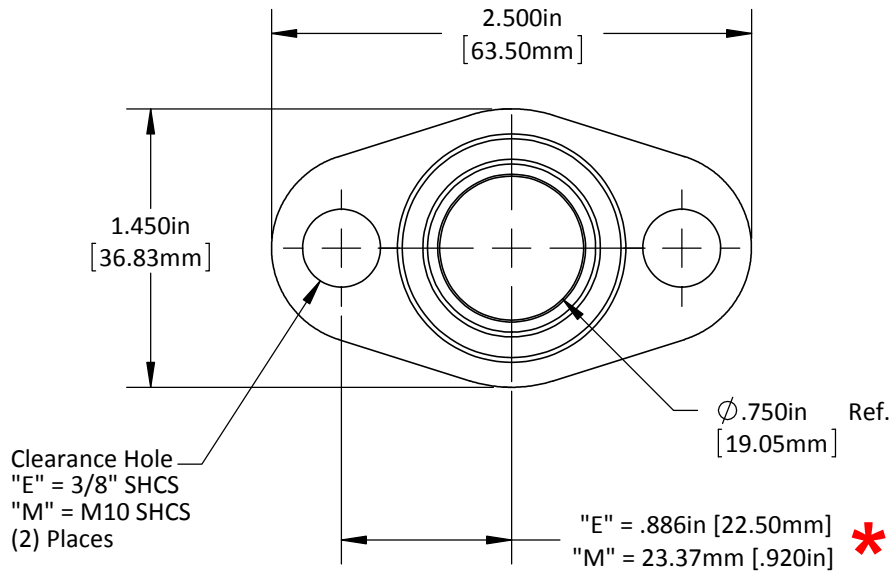
REV 2

This product may be covered by one or more patents or patent applications.  
See <http://www.standardlifters.com/patents.html> for details.

**GK75-L2-Base Machining**

**STANDARD LIFTERS INC**

**\*Caution: English & Metric Hole Locations are NOT the Same!**



DO NOT SCALE DRAWING

REV 1

This product may be covered by one or more patents or patent applications.  
See <http://www.standardlifters.com/patents.html> for details.

**Base-GK75-L2**

**STANDARD LIFTERS INC**