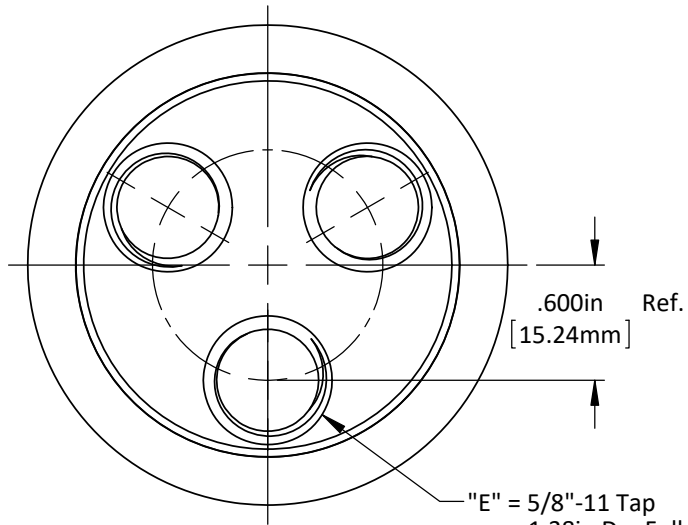


DO NOT SCALE DRAWING

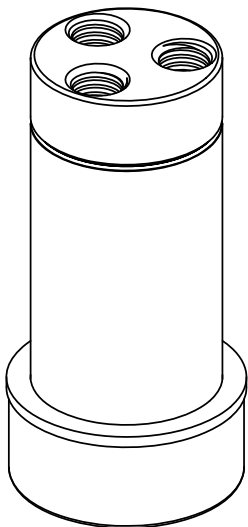
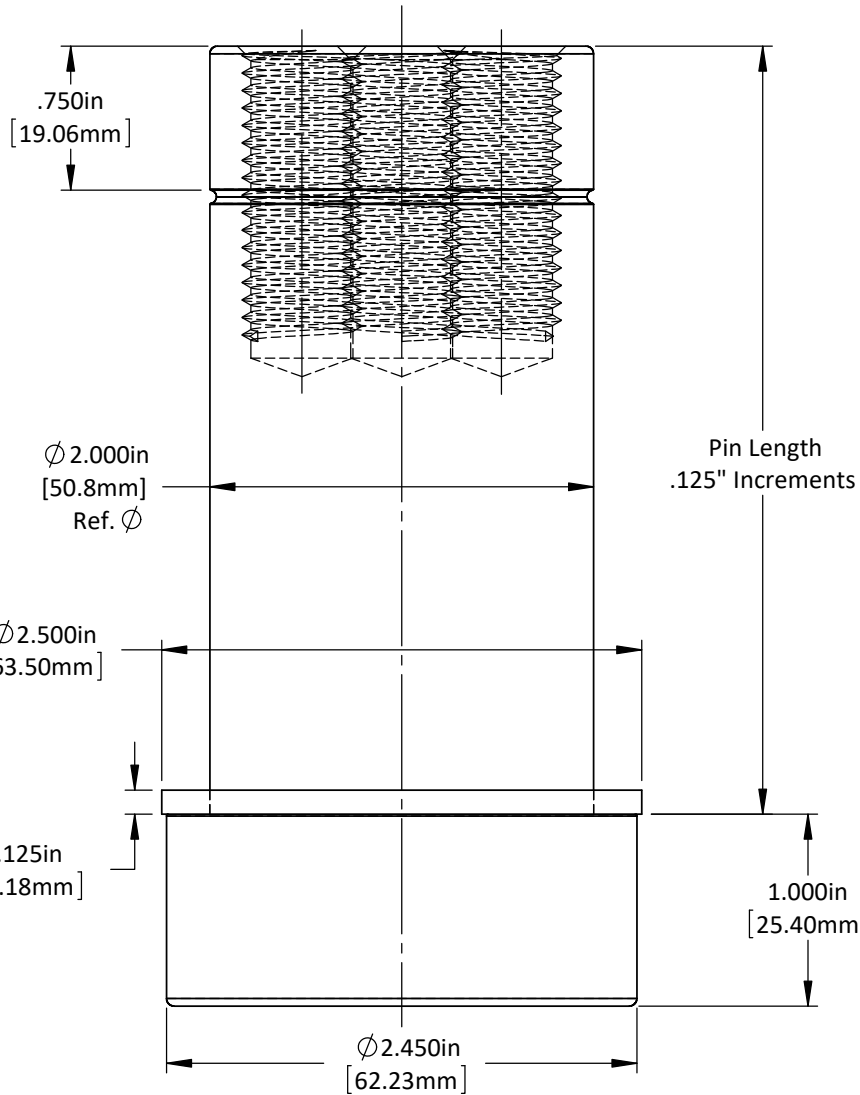
REV 2

This product may be covered by one or more patents or patent applications.
See <http://www.standardlifters.com/patents.html> for details.

Guide Pin GK205-Machining
Standard Lifters Inc



"E" = 5/8"-11 Tap
 1.38in Dp. Full Thd.
 "M" = M16-2.0 Tap
 35mm Dp. Full Thd.
 (3) Holes Equally Spaced
 on a 1.200in [30.48mm]
 Bolt Circle



DO NOT SCALE DRAWING

REV 2

This product may be covered by one or more patents or patent applications.
 See <http://www.standardlifters.com/patents.html> for details.

Guide Pin GK205

Standard Lifters Inc