

SECTION A-A

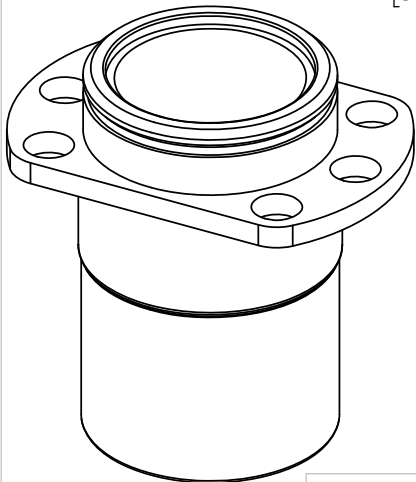
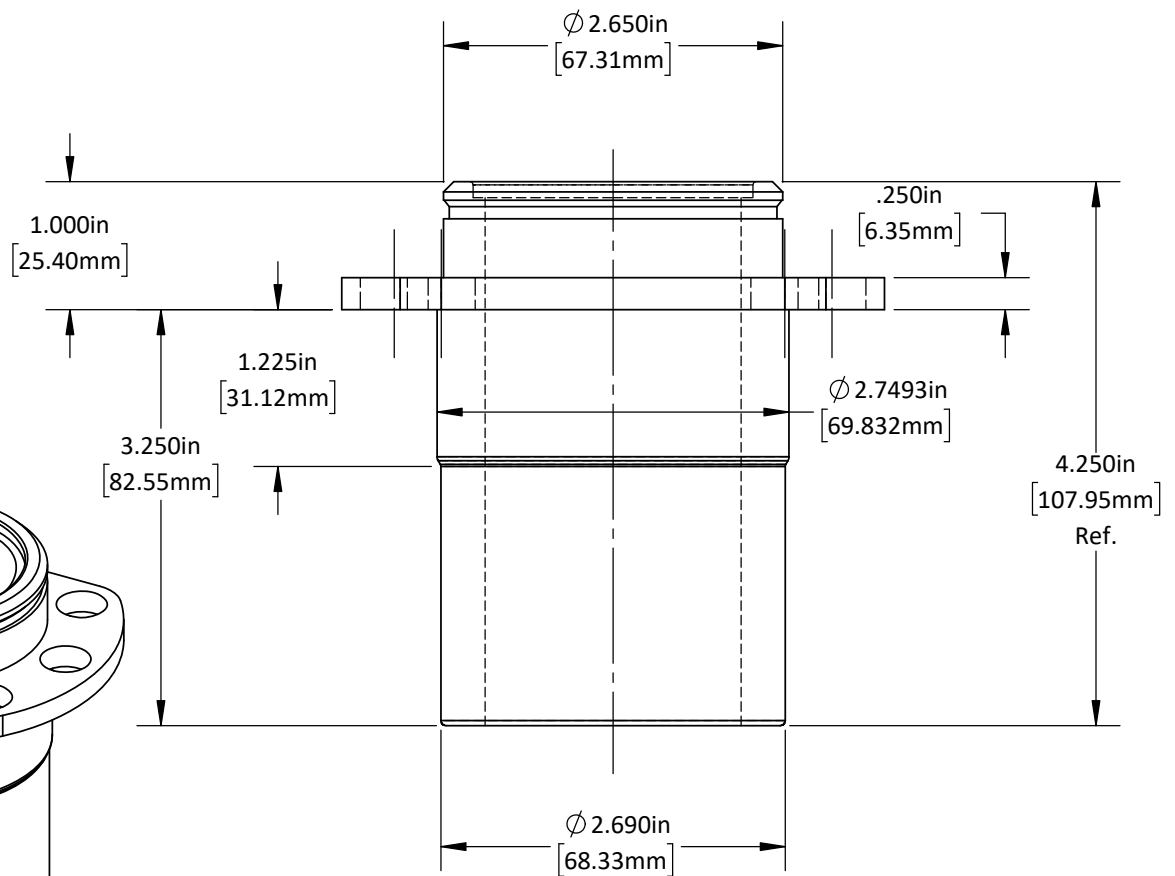
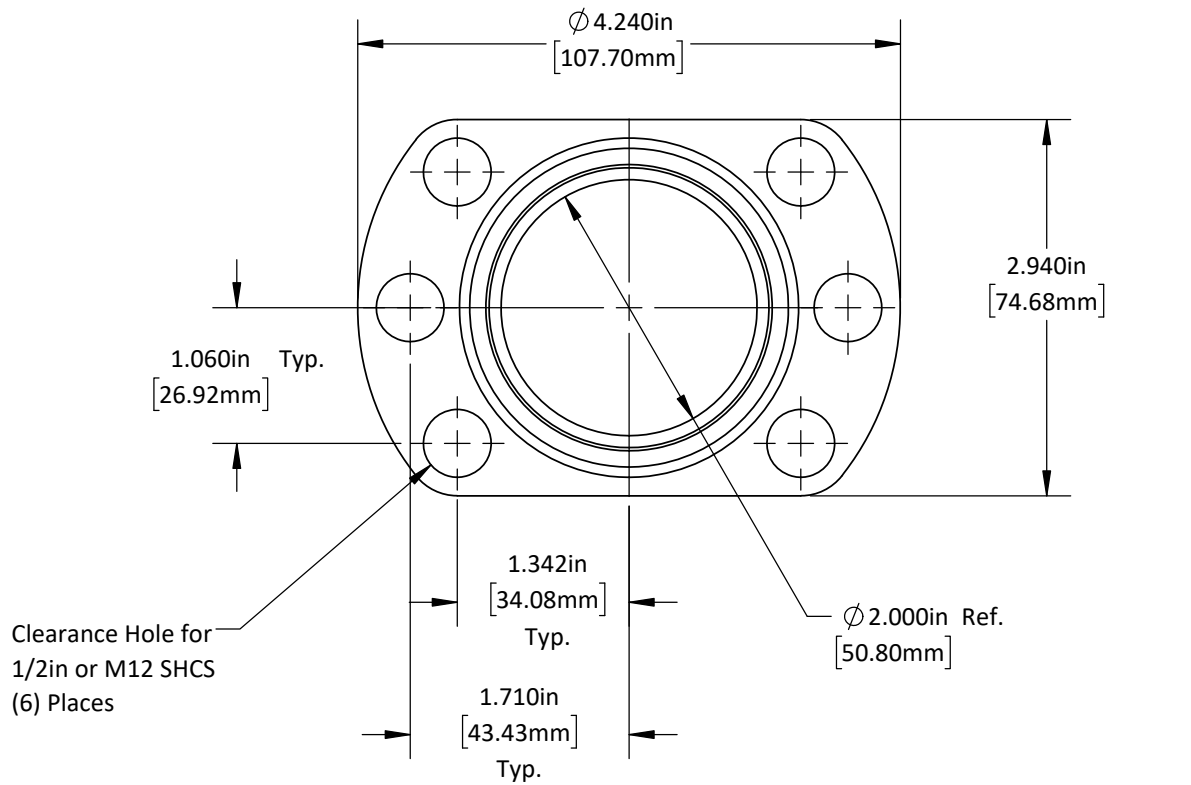
DO NOT SCALE DRAWING

REV 1

This product may be covered by one or more patents or patent applications.
See <http://www.standardlifters.com/patents.html> for details.

GK2.00-N-Base Machining

Standard Lifters Inc



DO NOT SCALE DRAWING

REV 1

This product may be covered by one or more patents or
 patent applications.
 See <http://www.standardlifters.com/patents.html> for details.

Base-GK2.00-N4-1

Standard Lifters Inc