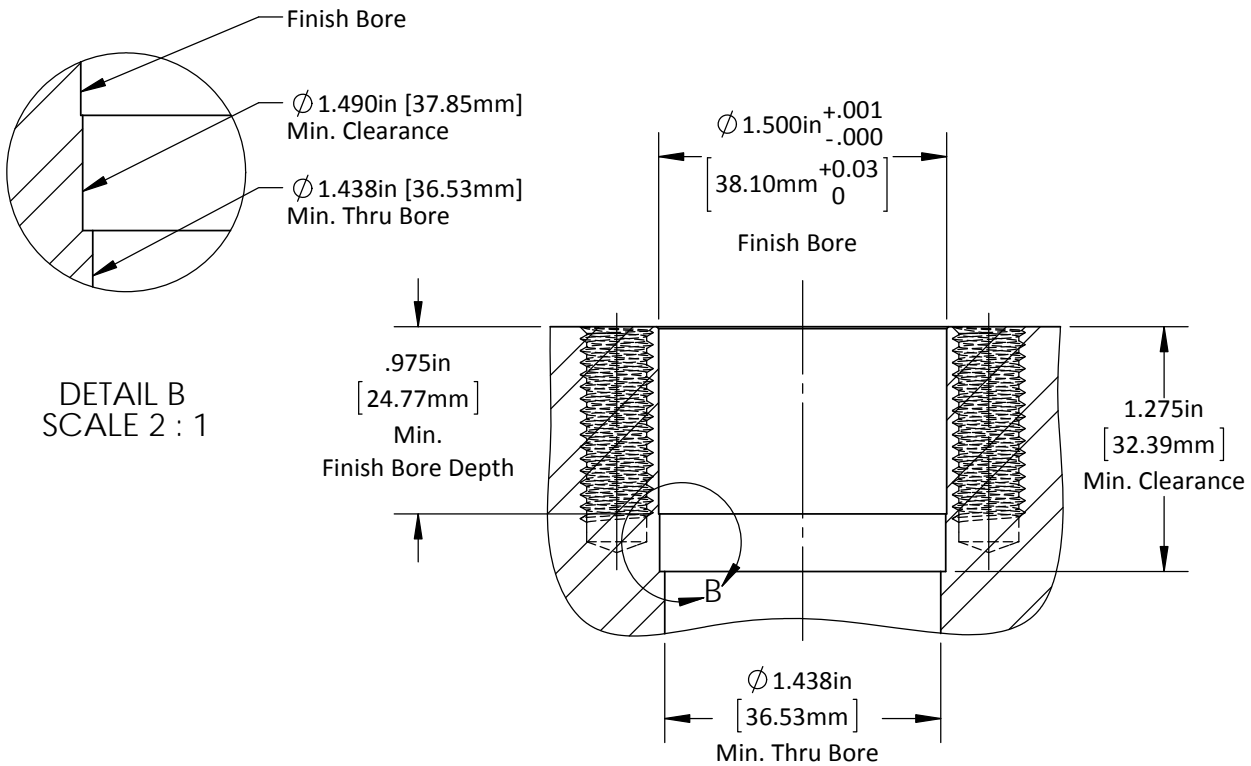
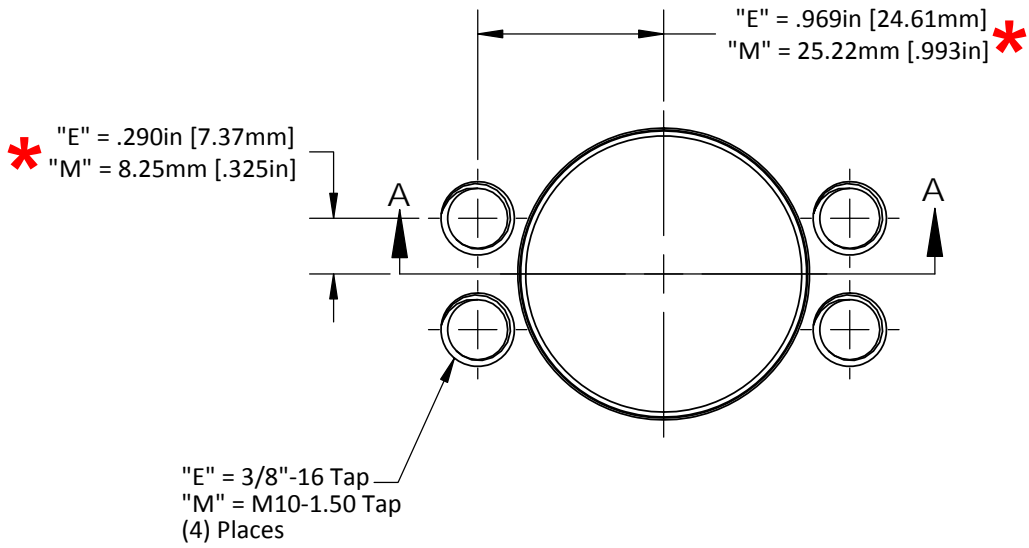
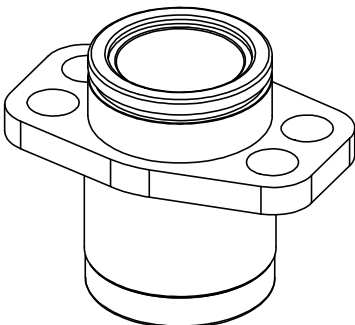
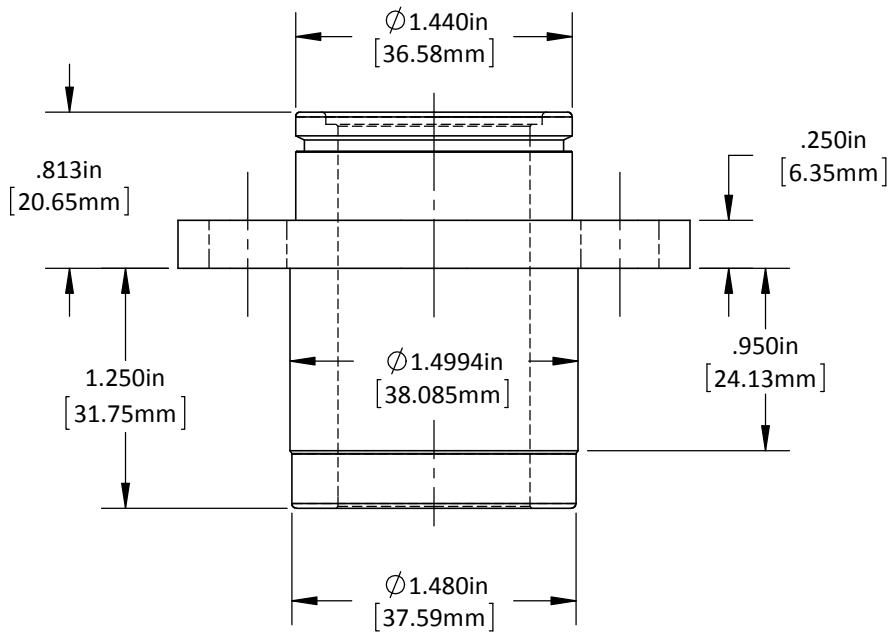
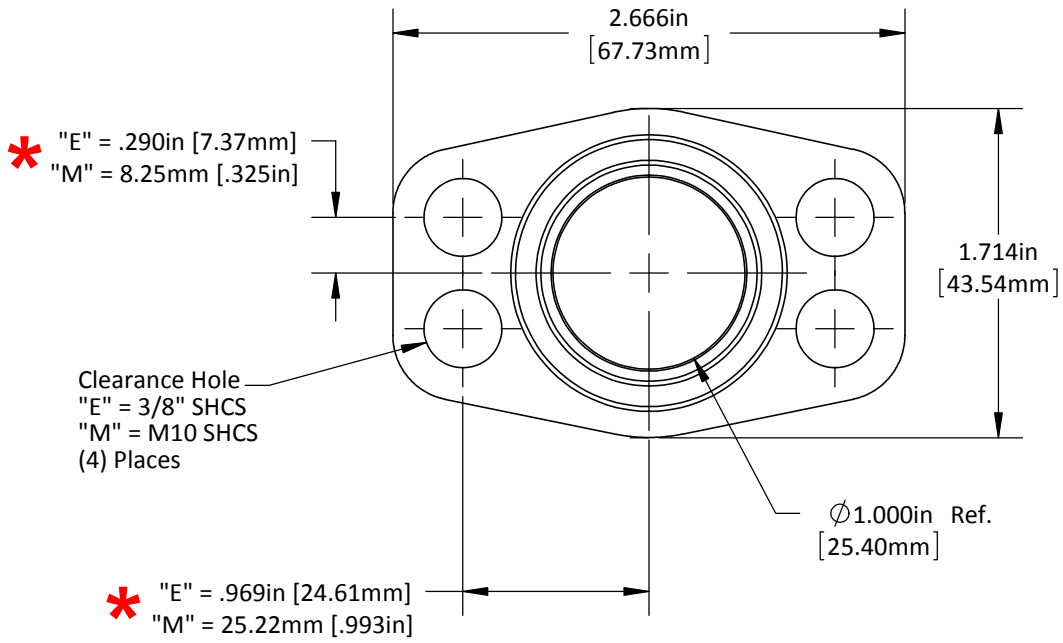


**\*Caution: English & Metric Hole Locations are NOT the Same!**



DO NOT SCALE DRAWING	REV 2	<b>GK105-L2-Base-Machining</b>
This product may be covered by one or more patents or patent applications. See <a href="http://www.standardlifters.com/patents.html">http://www.standardlifters.com/patents.html</a> for details.		

**\*Caution: English & Metric Hole Locations are NOT the Same!**



DO NOT SCALE DRAWING

REV 1

This product may be covered by one or more patents or patent applications. See <http://www.standardlifters.com/patents.html> for details.

**Base-GK105-L2**

**STANDARD LIFTERS INC**