

SECTION A-A

DO NOT SCALE DRAWING

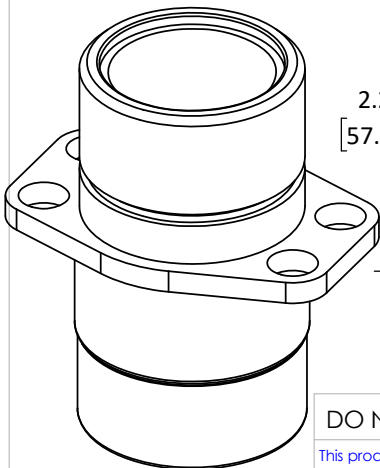
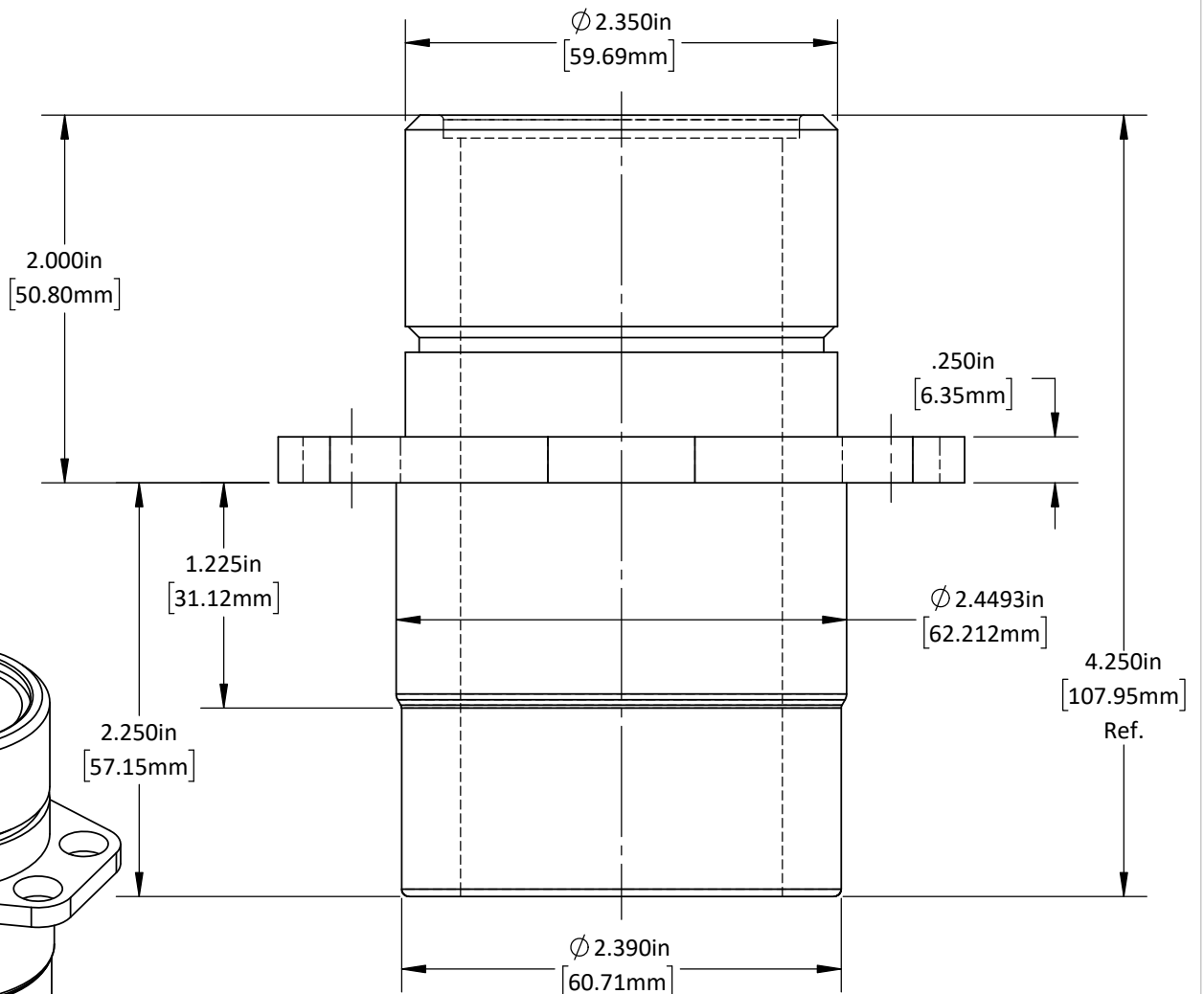
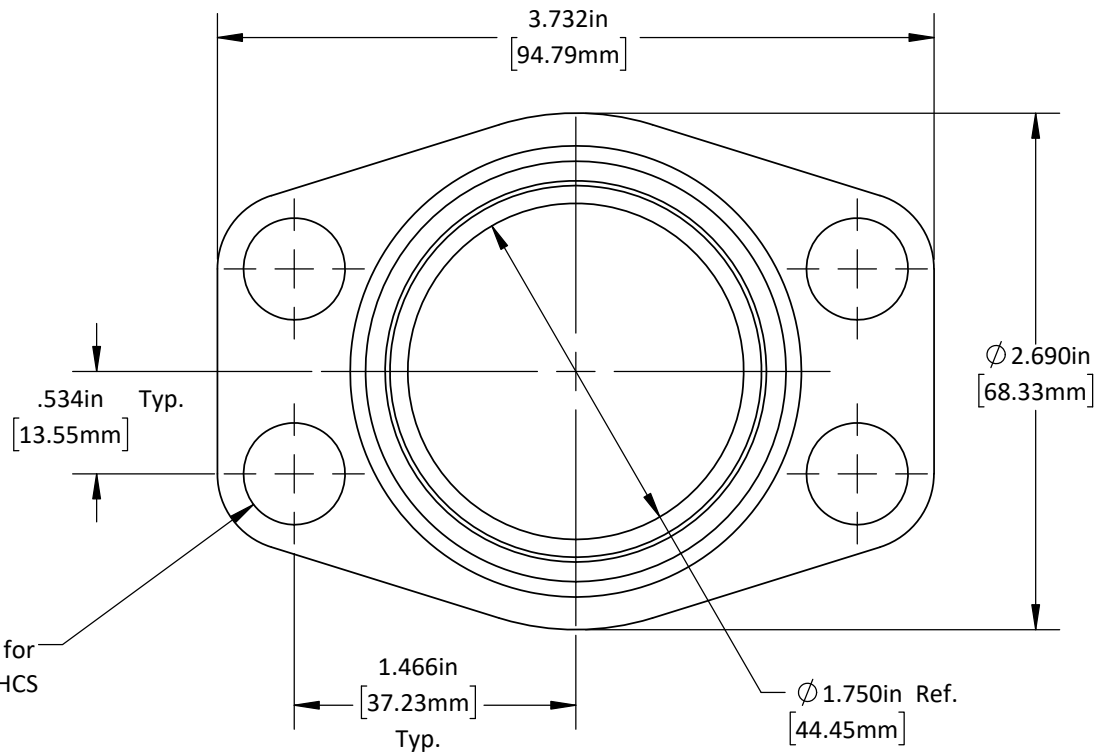
REV 1

This product may be covered by one or more patents or  
 patent applications.  
 See <http://www.standardlifters.com/patents.html> for details.

**GK1.75-N-Base Machining**

**Standard Lifters Inc**

Clearance Hole for  
1/2in or M12 SHCS  
(4) Places



DO NOT SCALE DRAWING

REV 1

This product may be covered by one or more patents or patent applications.  
See <http://www.standardlifters.com/patents.html> for details.

**Base-GK1.75-N4-2**

**Standard Lifters Inc**