

SECTION A-A

DO NOT SCALE DRAWING

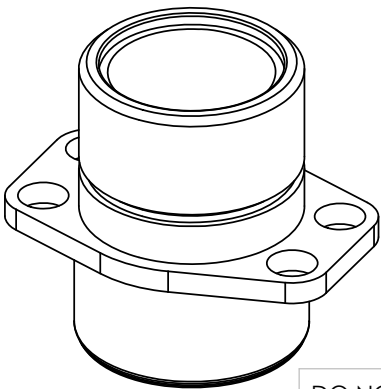
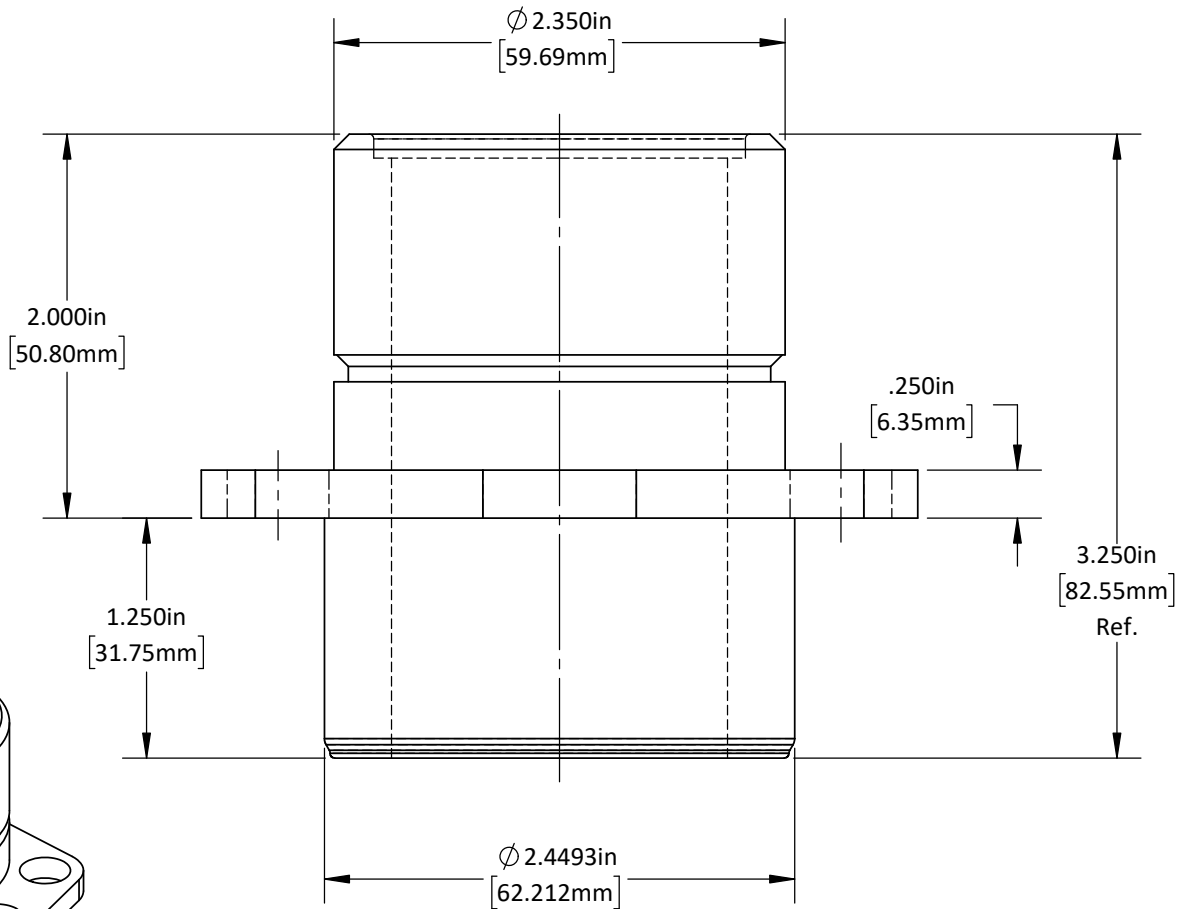
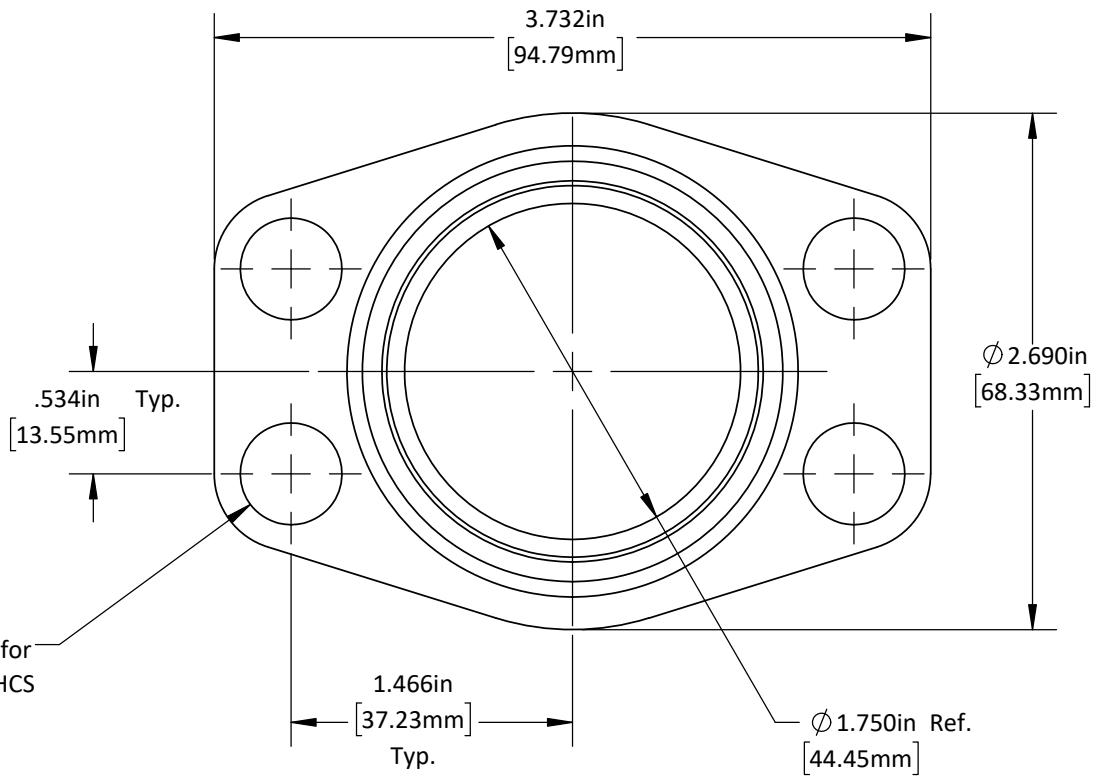
REV 1

This product may be covered by one or more patents or
 patent applications.
 See <http://www.standardlifters.com/patents.html> for details.

GK1.75-N-Base Machining

Standard Lifters Inc

Clearance Hole for
1/2in or M12 SHCS
(4) Places



DO NOT SCALE DRAWING

REV 1

This product may be covered by one or more patents or patent applications.
See <http://www.standardlifters.com/patents.html> for details.

Base-GK1.75-N3-2

Standard Lifters Inc