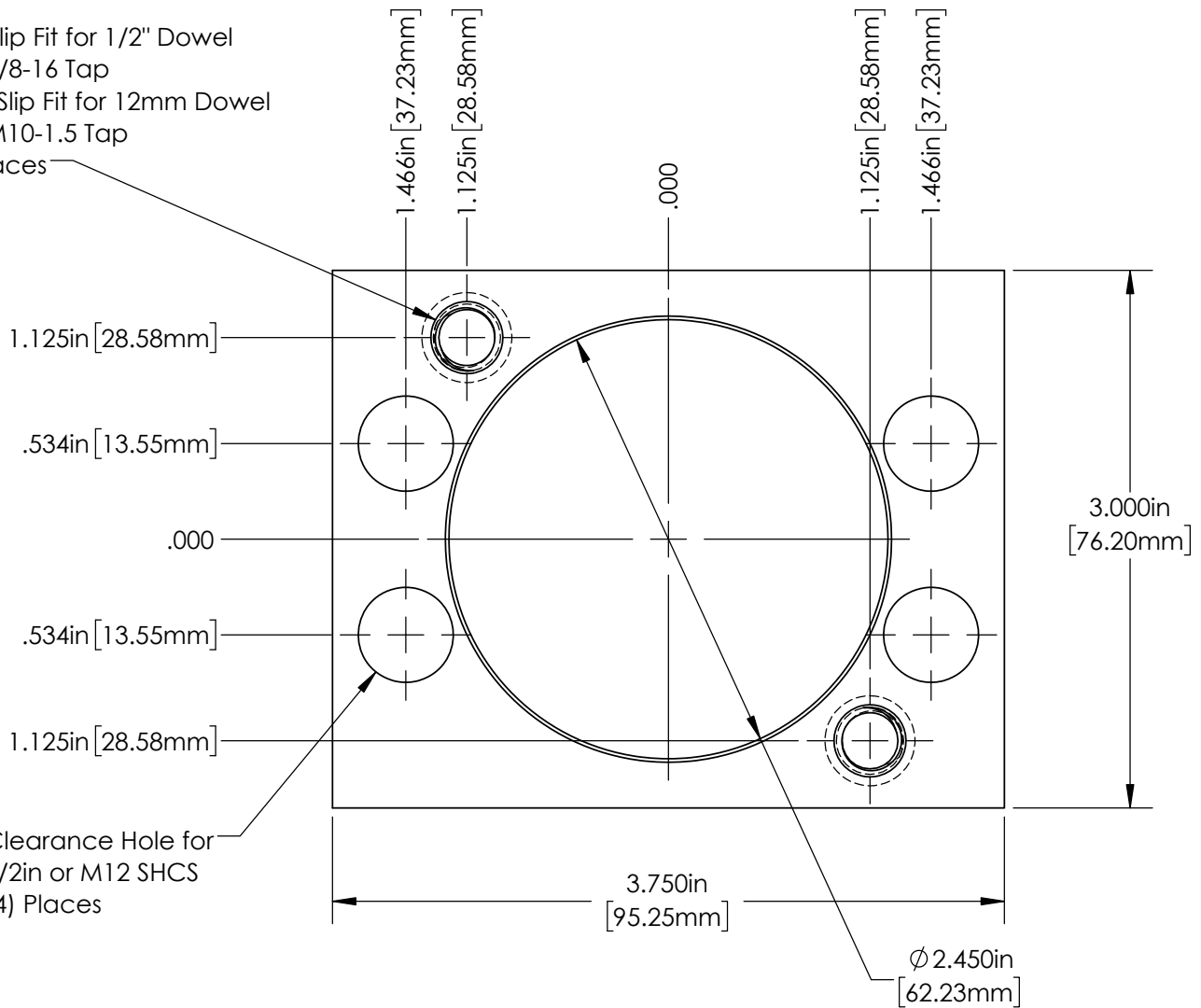


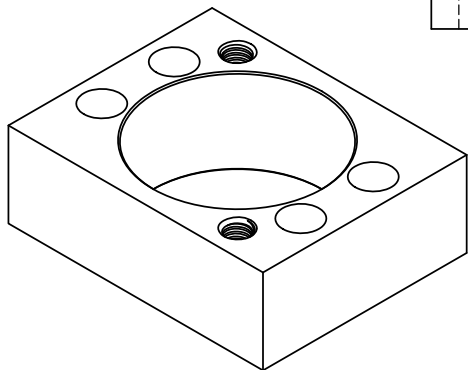
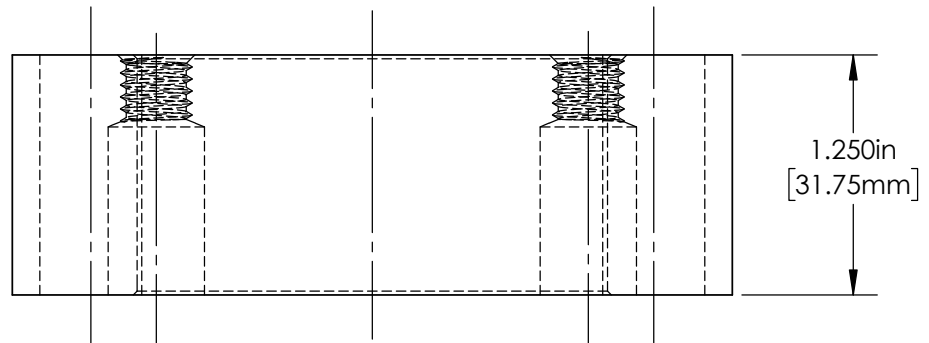
DO NOT SCALE DRAWING REV 1
 This product may be covered by one or more patents or patent applications.
 See <http://www.standardlifters.com/patents.html> for details.

GK1.75-N-DowelAdaptor Machining
Standard Lifters Inc

"E" = Slip Fit for 1/2" Dowel
 3/8-16 Tap
 "M" = Slip Fit for 12mm Dowel
 M10-1.5 Tap
 (2) Places



Clearance Hole for
 1/2in or M12 SHCS
 (4) Places



DO NOT SCALE DRAWING | REV 1

This product may be covered by one or more patents or patent applications.
 See <http://www.standardlifters.com/patents.html> for details.

GK1.75-N-DowelAdaptor

Standard Lifters Inc