

DO NOT SCALE DRAWING

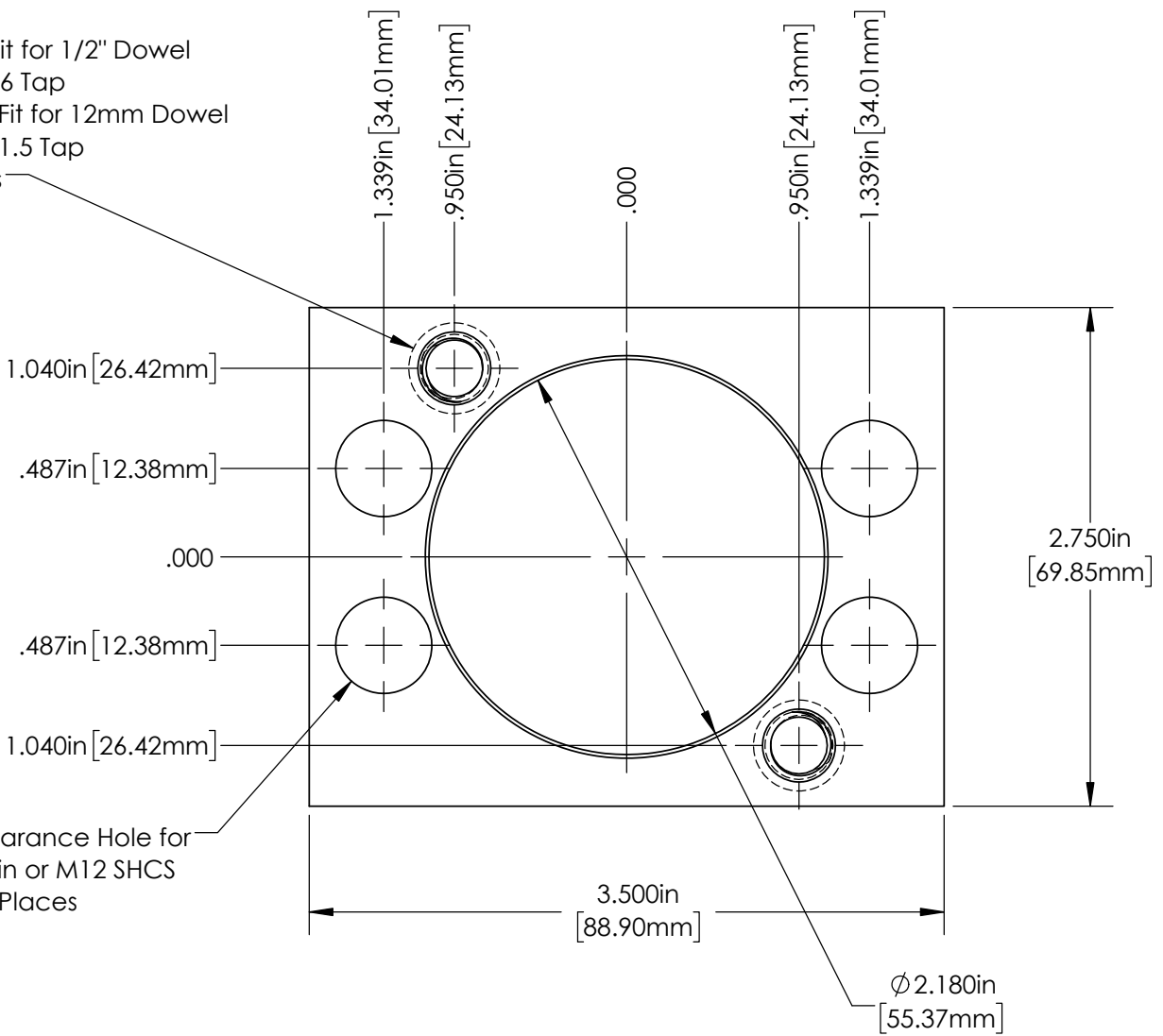
REV 1

This product may be covered by one or more patents or patent applications.
See <http://www.standardlifters.com/patents.html> for details.

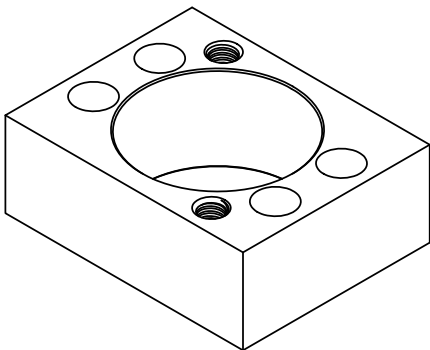
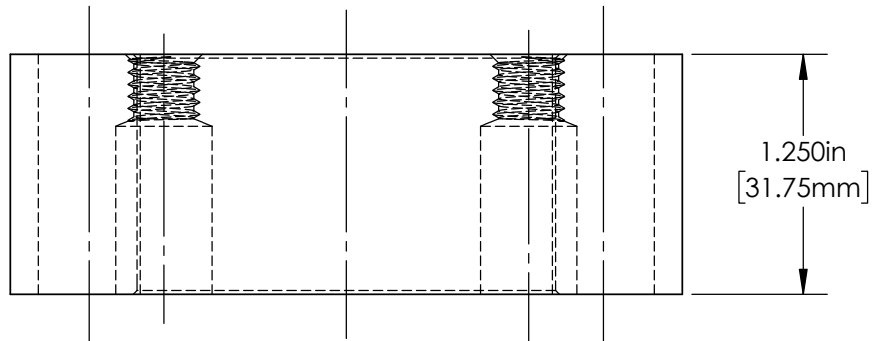
GK1.50-N-DowelAdaptor Machining

Standard Lifters Inc

"E" = Slip Fit for 1/2" Dowel
 3/8-16 Tap
 "M" = Slip Fit for 12mm Dowel
 M10-1.5 Tap
 (2) Places



Clearance Hole for
 1/2in or M12 SHCS
 (4) Places



DO NOT SCALE DRAWING

REV 1

This product may be covered by one or more patents or patent applications.
 See <http://www.standardlifters.com/patents.html> for details.

GK1.50-N-DowelAdaptor

Standard Lifters Inc