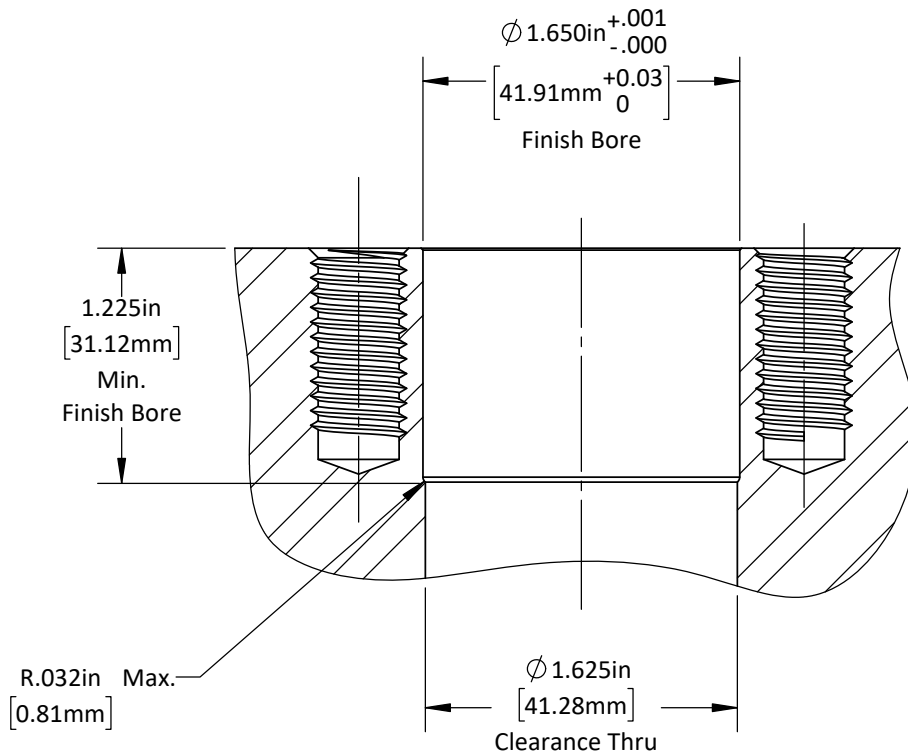


"E" = 1/2"-13 Tap
"M" = M12-1.75 Tap
(2) Places



SECTION A-A

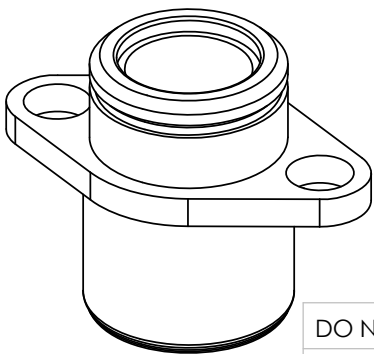
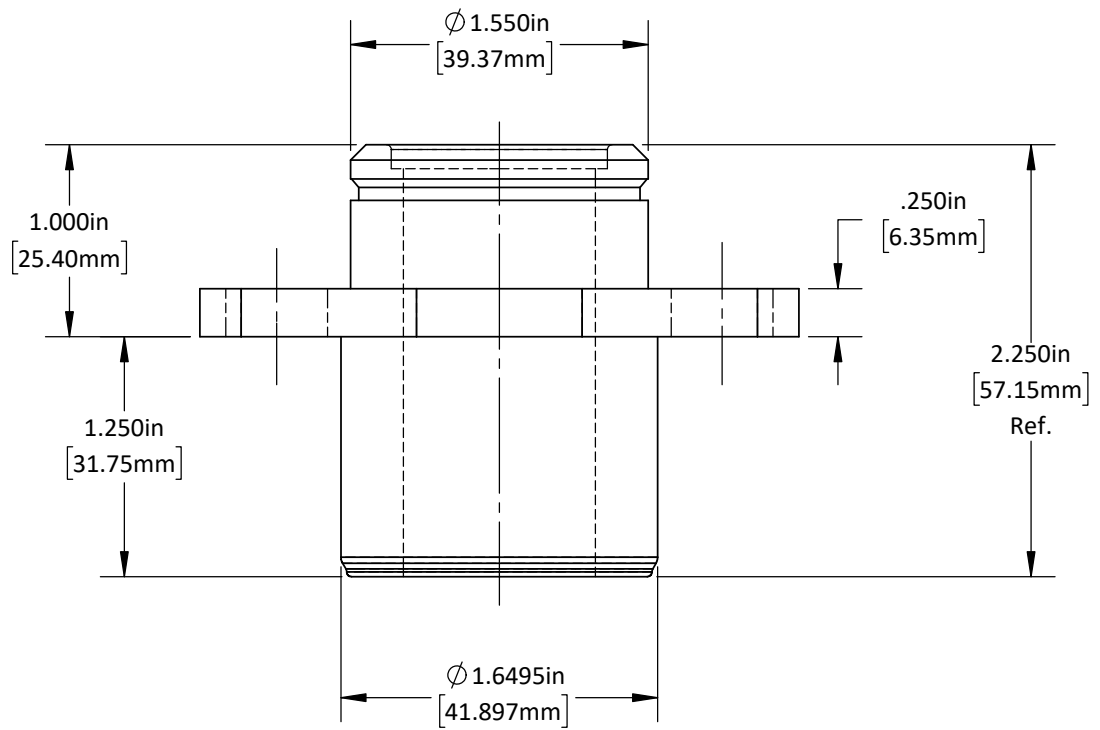
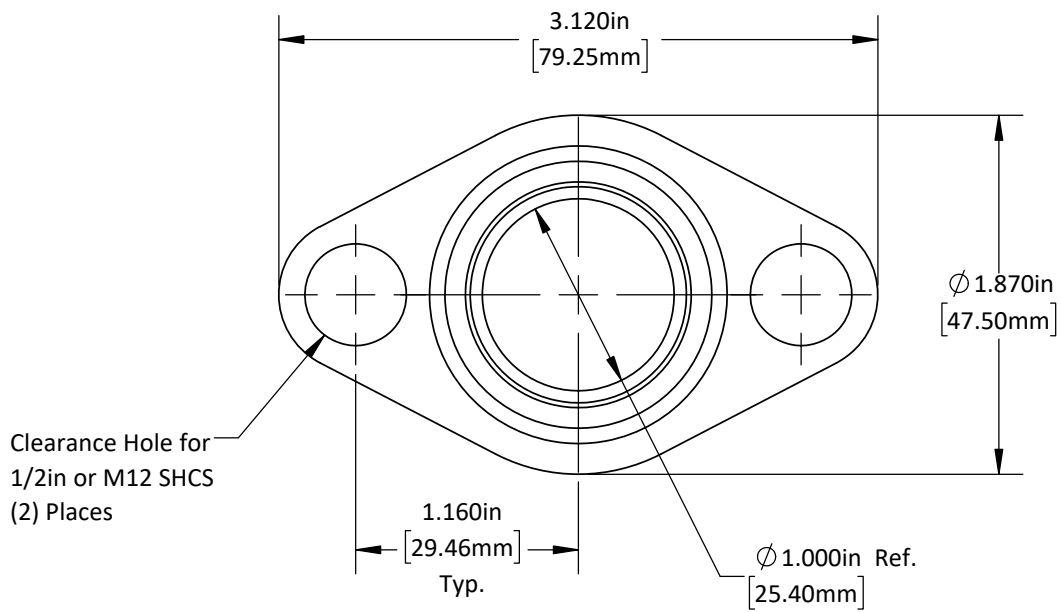
DO NOT SCALE DRAWING

REV 1

This product may be covered by one or more patents or patent applications.
See <http://www.standardlifters.com/patents.html> for details.

GK1.00-N-Base Machining

Standard Lifters Inc



DO NOT SCALE DRAWING

REV 1

This product may be covered by one or more patents or patent applications.
See <http://www.standardlifters.com/patents.html> for details.

Base-GK1.00-N2-1

Standard Lifters Inc