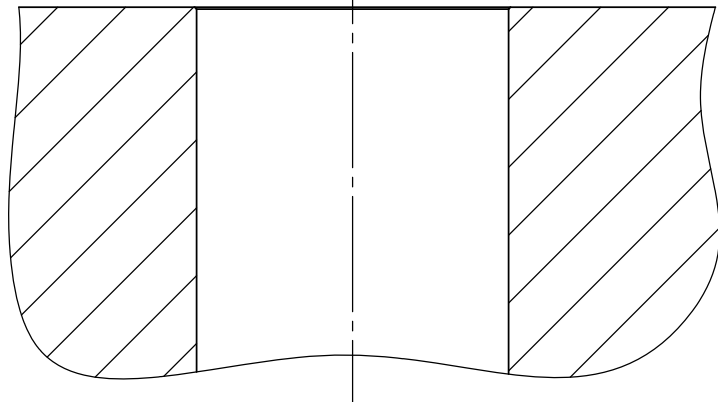


"E" = 1/2-13 Tap
 "M" = M12-1.75 Tap
 (2) Places

Drill & Ream PF for Dowel
 "E" = ϕ .500in
 "M" = ϕ 12mm
 (2) Places

ϕ 1.625in
 [41.28mm]
 Clearance Bore

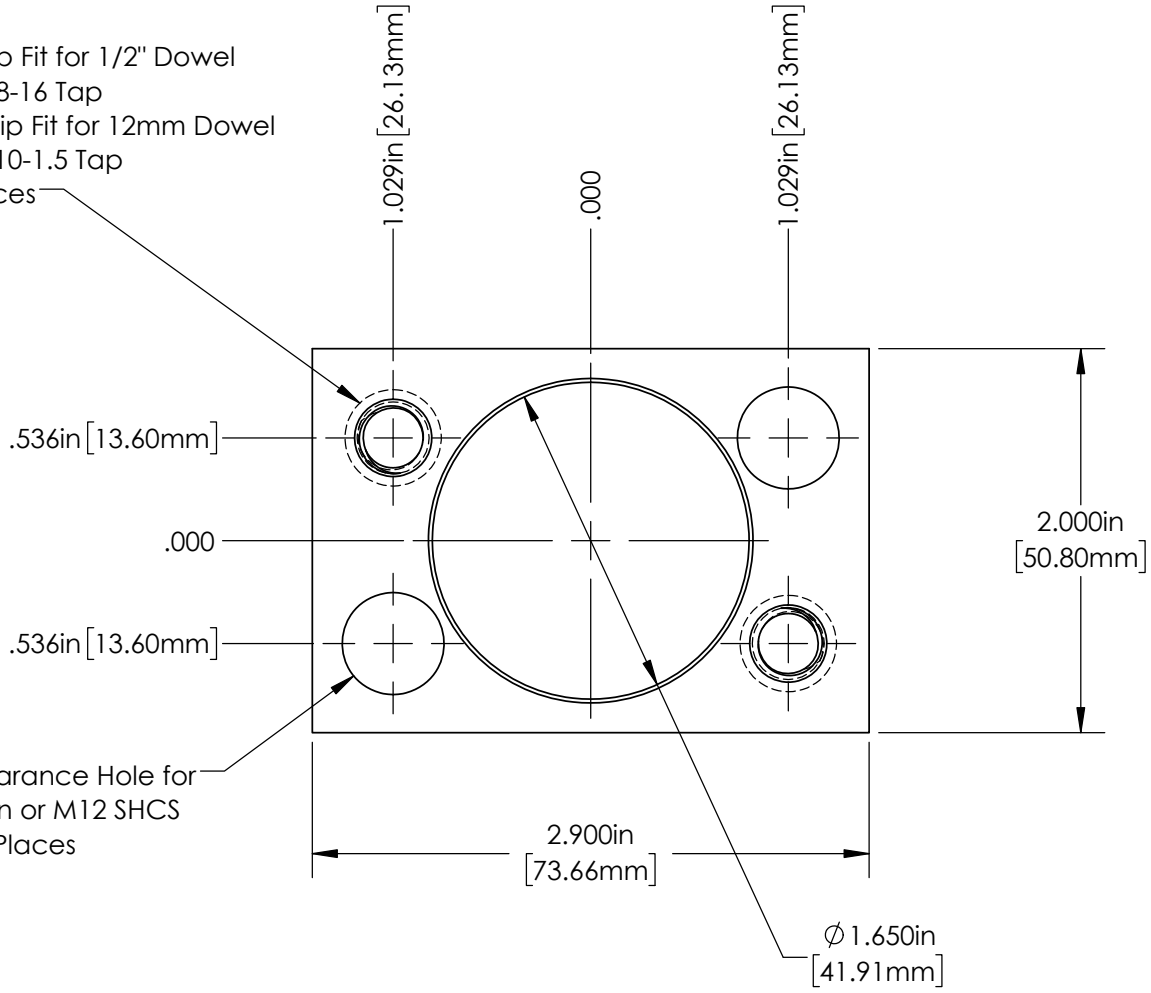


SECTION A-A

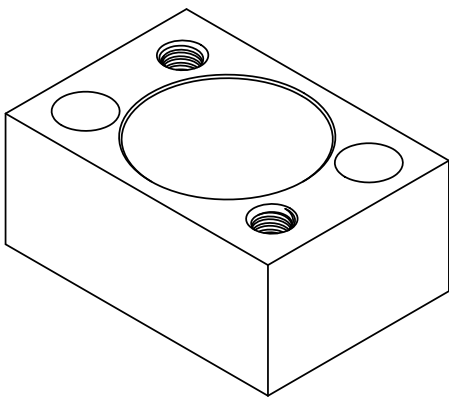
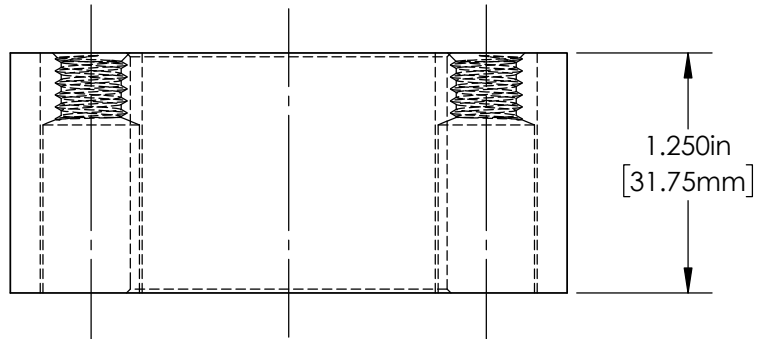
DO NOT SCALE DRAWING	REV 1
This product may be covered by one or more patents or patent applications. See http://www.standardlifters.com/patents.html for details.	

GK1.00-N-DowelAdaptor Machining
Standard Lifters Inc

"E" = Slip Fit for 1/2" Dowel
 3/8-16 Tap
 "M" = Slip Fit for 12mm Dowel
 M10-1.5 Tap
 (2) Places



Clearance Hole for
 1/2in or M12 SHCS
 (2) Places



DO NOT SCALE DRAWING REV 1

This product may be covered by one or more patents or patent applications.
 See <http://www.standardlifters.com/patents.html> for details.

GK1.00-N-DowelAdaptor
Standard Lifters Inc