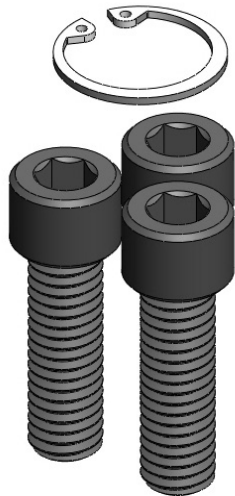


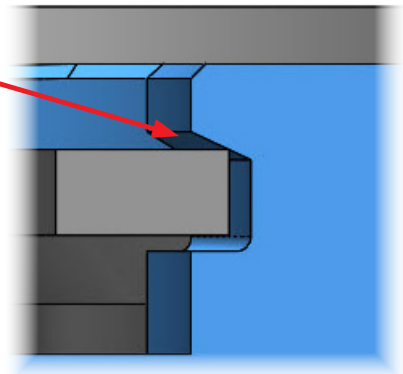
# GK Locking Collar - Accessory

The GK Locking Collar prevents screws from possibly coming loose and falling into the tool during operation.

Available for GK180 and GK205 Series Guide Pins



Tapered groove forces Retaining Ring down which provides locking force to the Cap Screws



O-ring maintains the radial location and prevents collar from falling out during disassembly

