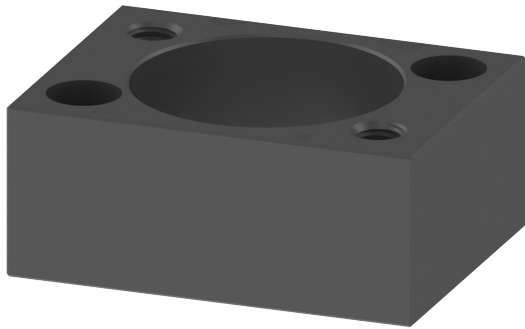
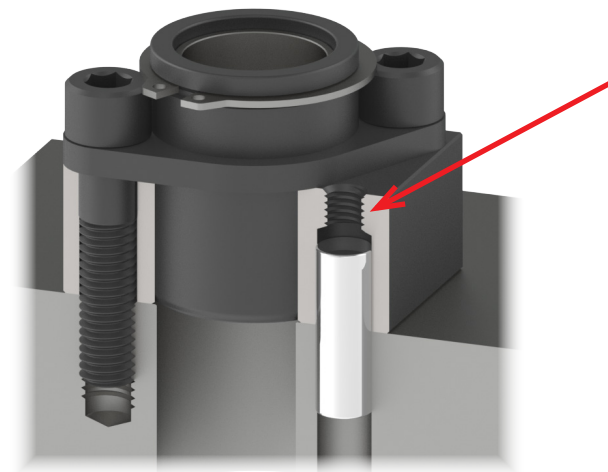


# N Base Dowel Adaptor - Accessory



The Dowel Adaptor is used in applications where locating the N Style Base using Dowel Pins, rather than a bored hole, is desired.



- The adaptor can be used with any size/style of the N Base
- The Dowel Pins are captured so they can't fall out during production
- A taped hole is located above the dowel that can be used as a jack screw
- See the following prints for specifics on dimensions and machining tolerances

Product Number Structure:

	Diameter		English/Metric	
GK	1.25	-N-Base-	M	-DowelAdaptor
Example: <b>GK1.25-N-Base-M-DowelAdaptor</b>				

