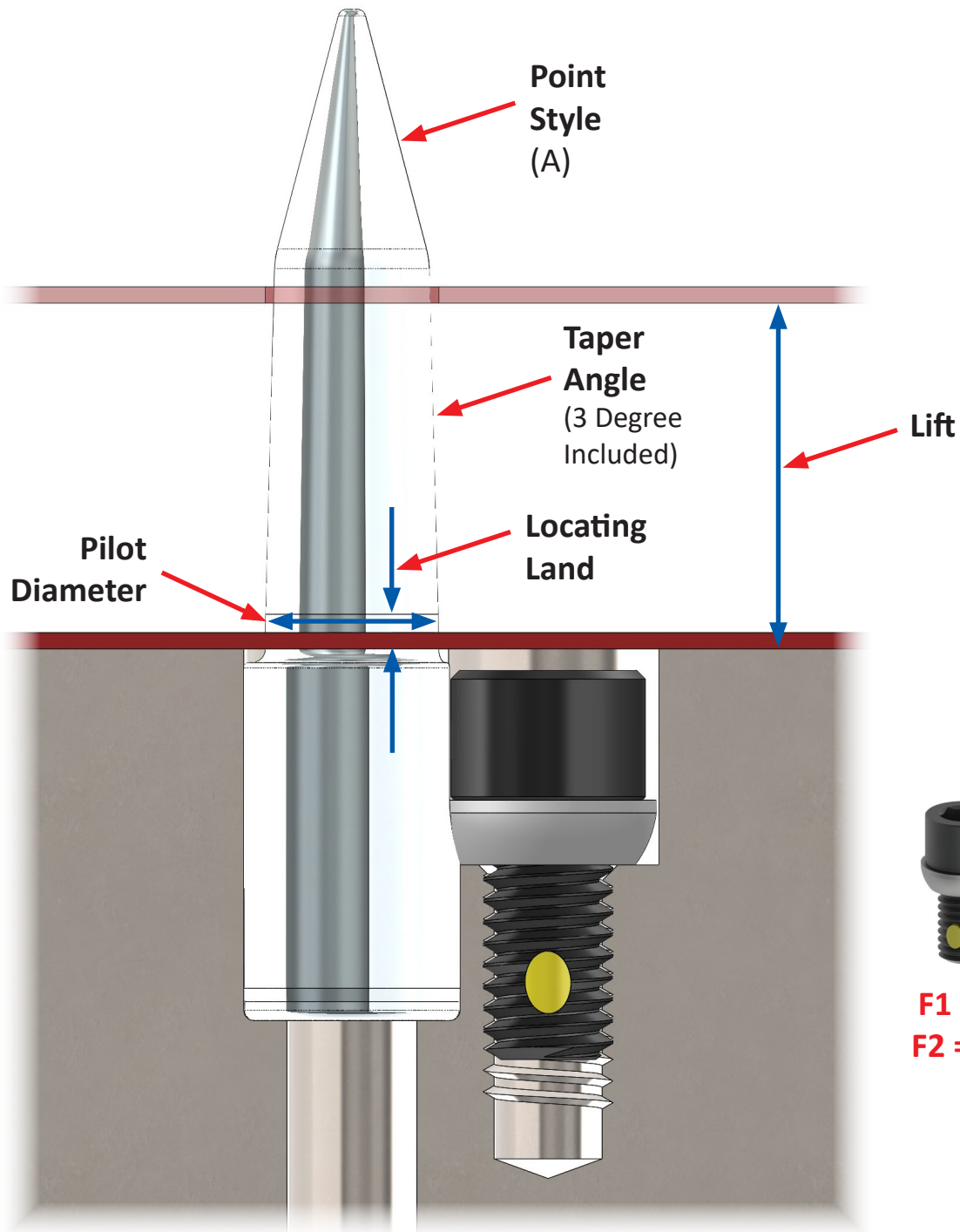


# Tapered Pilot - Product Number Structure

	Type	Pilot Diameter	Locating Land	Lift	Taper Angle	Point Style	Retention Method
<b>PA</b>	<b>T</b>	<b>13mm</b>	<b>2.5mm</b>	<b>50mm</b>	<b>3</b>	<b>A</b>	<b>F2</b>
Example: <b>PA-T-13mm-2.5mm-50mm-3-A-F2</b>							



**F1 = (1) Fastener**  
**F2 = (2) Fasteners**

