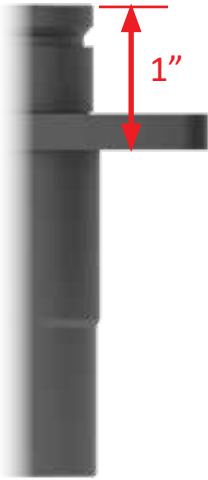
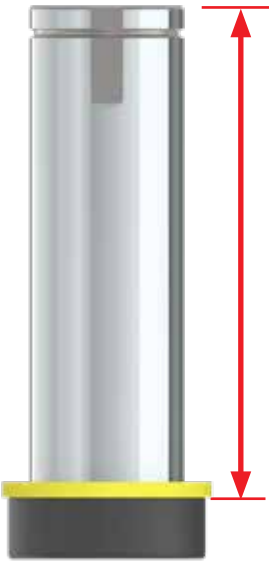
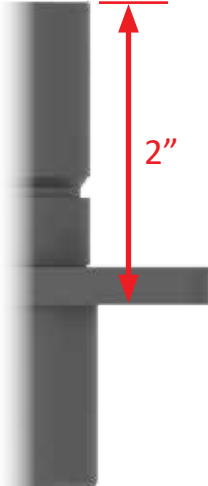
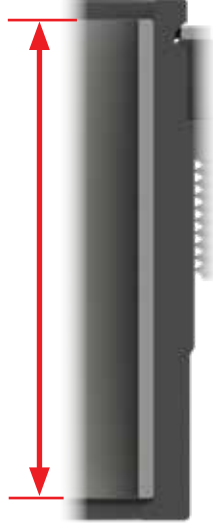


N Base - Product Number Structure

Series	Base Style/ Bushing Length	Base Height	Bushing Type	Units	Guide Pin Length		
GK75 (.75")	N Base Style		TB	English or Metric (Determines Taps/Reams in Guide Pin End)			
GK105 (1.00")							
GK120 (1.25")	See product details for various options available	PTFE / Bronze					
GK122 (1.25")							
GK152 (1.50")	Bushing Length 2", 3", 4", 5"		BP			Measure to the Steel Shoulder under the Dampening Washer	
GK180 (1.75")							Bronze with Graphite Plugs
GK205 (2.00")							
GK122	N3	2	TB			M	4.25
Example: GK122-N3-2-TB-M-4.25							

