



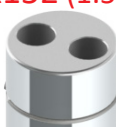



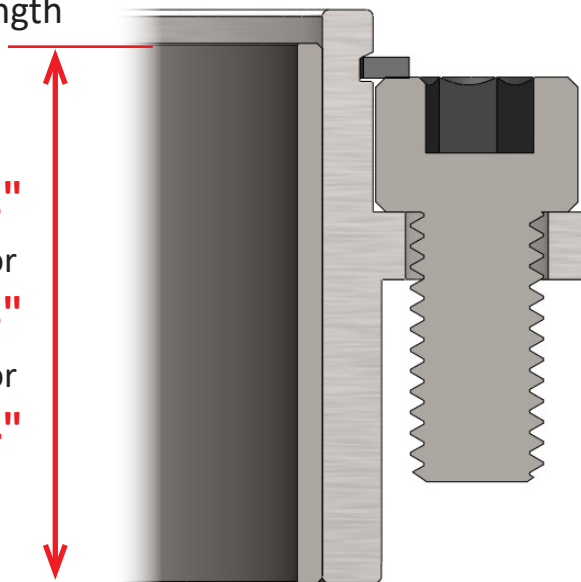
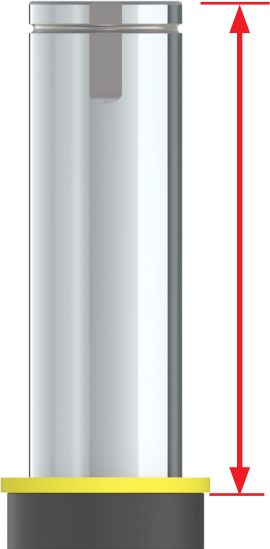
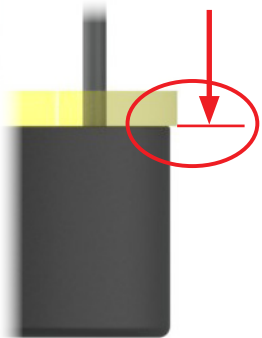


L Base - Product Number Structure

Series	Base Style/Bushing Length	Units	Guide Pin Length
<p>GK75 (.75")</p>  <p>GK105 (1.00")</p>  <p>GK120 (1.25")</p>  <p>GK122 (1.25")</p>  <p>GK152 (1.50")</p>  <p>GK180 (1.75")</p>  <p>GK205 (2.00")</p> 	 <p style="text-align: center;">L Base Style</p> <p>Bushing Length</p>  <p>2" or 3" or 4"</p>	<p>Metric</p> <p>English</p> <p>(Determines Taps/Reams in Guide Pin End)</p>	 <p>Measure to the Steel Shoulder under the Dampening Washer</p> 
GK122	L2	M	4.25
Example: GK122-L2-M-4.25			

