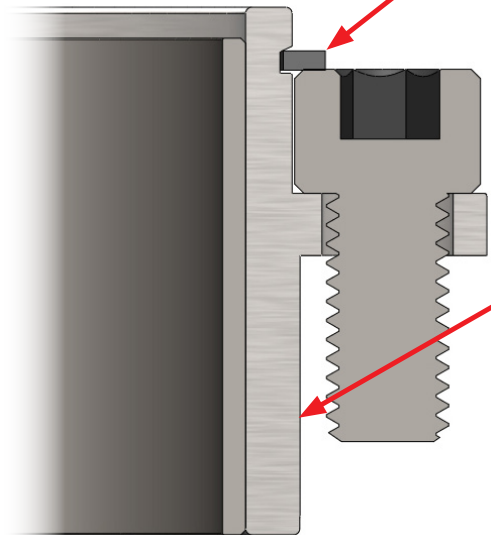


# “L” - Base Style

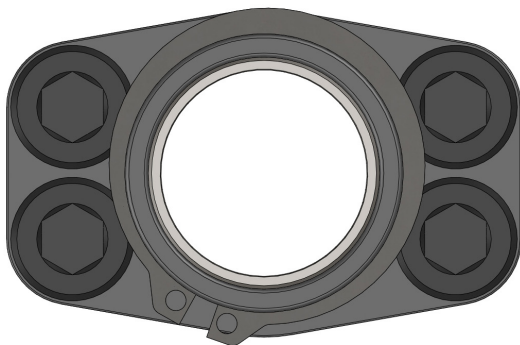


Socket Head Cap Screws with the flange retain the Base in the die shoe



Retaining Ring prevents Cap Screws from loosening and falling into the tool during operation

Location is accomplished using the body of the Base in the shoe



## Machining Required

Bored Hole

Tapped Holes

