

Usage Guidelines & Recommendations

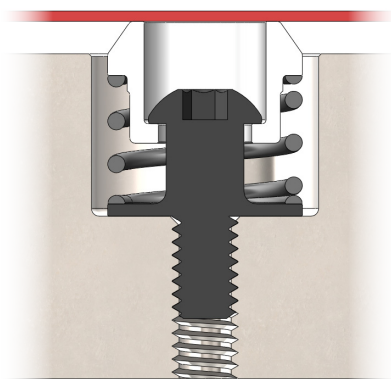
Use of Ejector Assemblies on angled surfaces is NOT recommended

Standard Lifters does not recommend using Ejector units on angled surfaces or where the material is compressing the stripper on an angle. Doing so may cause damage to the Ejector assembly.



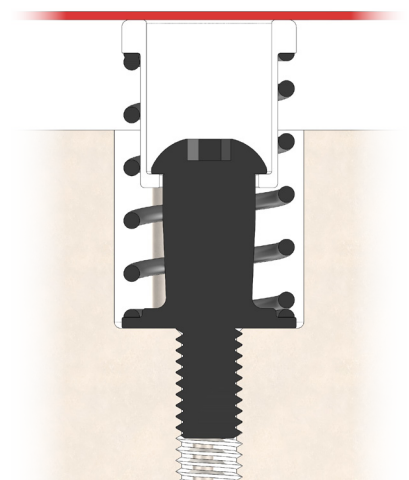
Primary Applications

Oil Break Stock Ejector



Prevents lubricated sheet metal stock from sticking to large surfaces in tooling, such as Stripper Pads.

Part Ejector



For applications requiring more travel and force.

