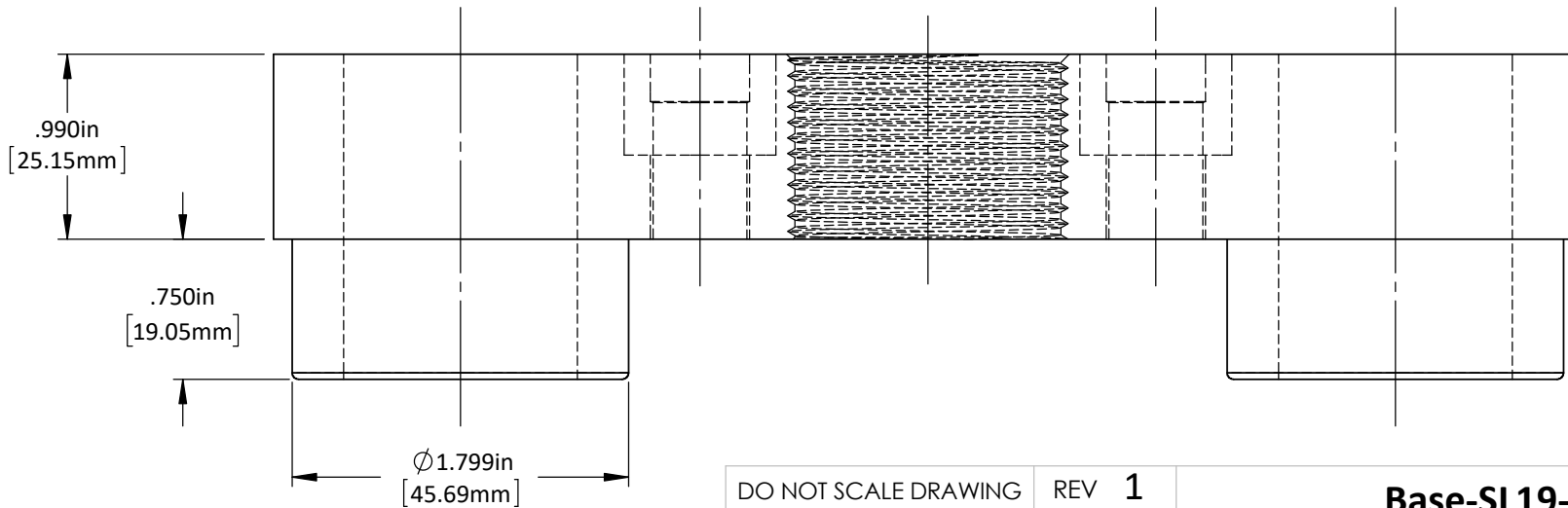
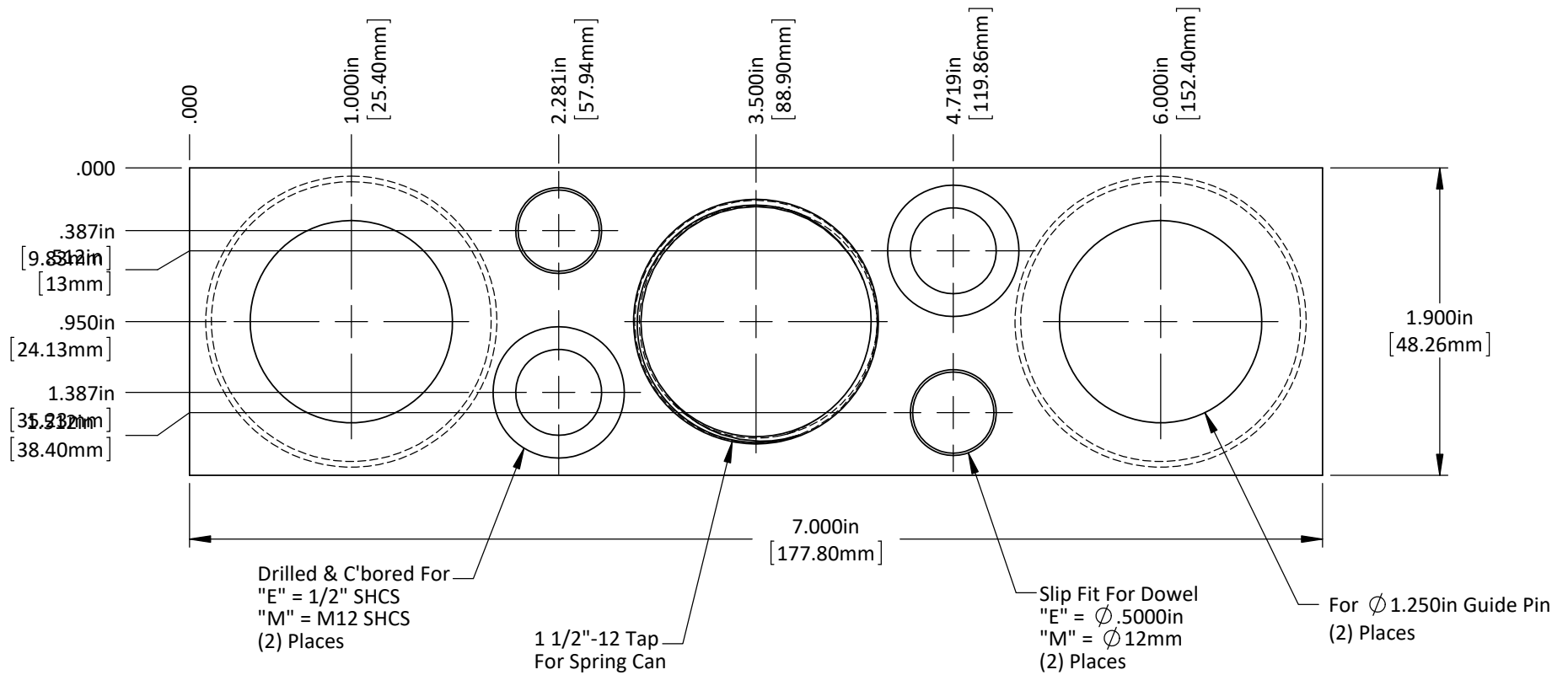


DO NOT SCALE DRAWING REV 1

This product may be covered by one or more patents or patent applications.
See <http://www.standardlifters.com/patents.html> for details.

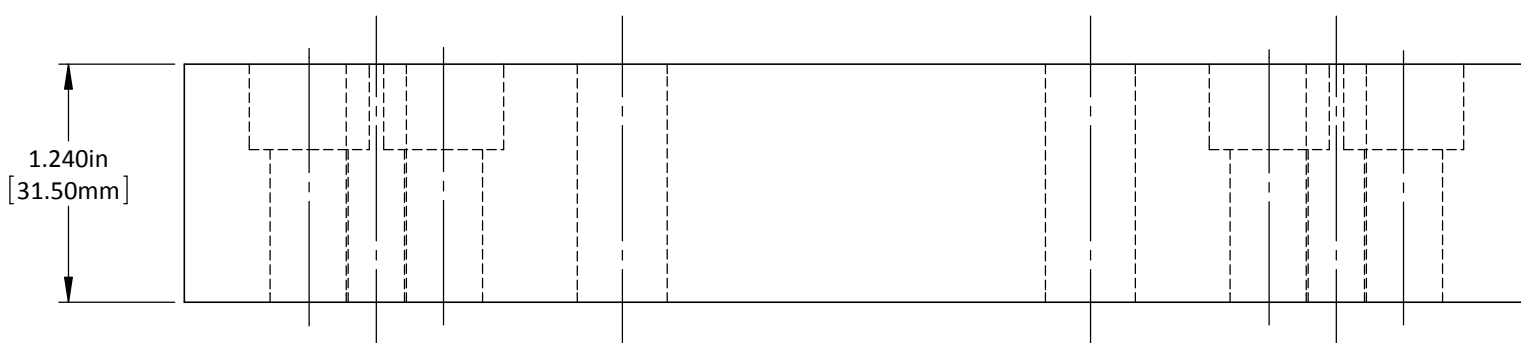
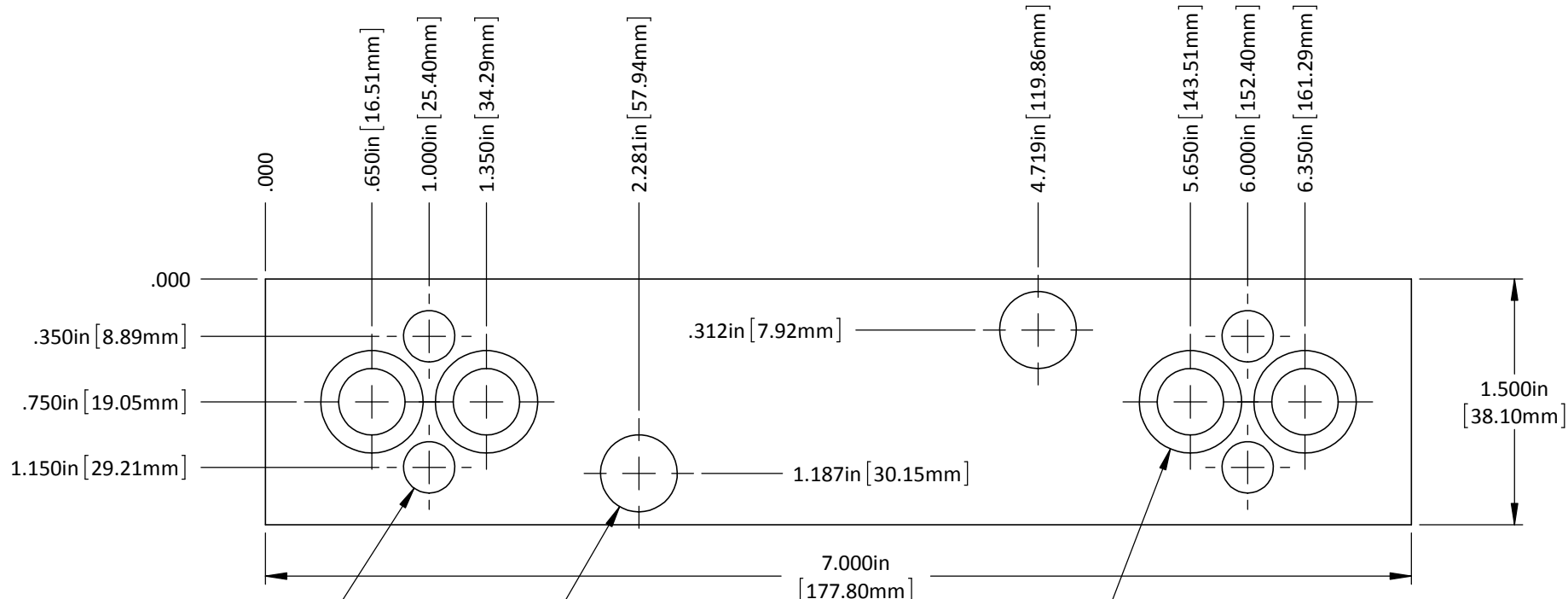
Base-SL19-7-Machining
Standard Lifters Inc

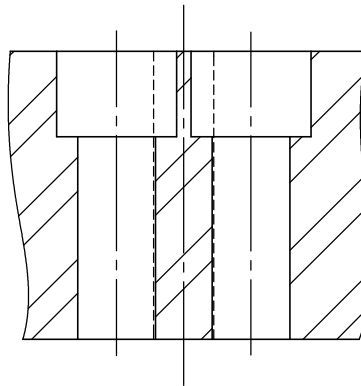
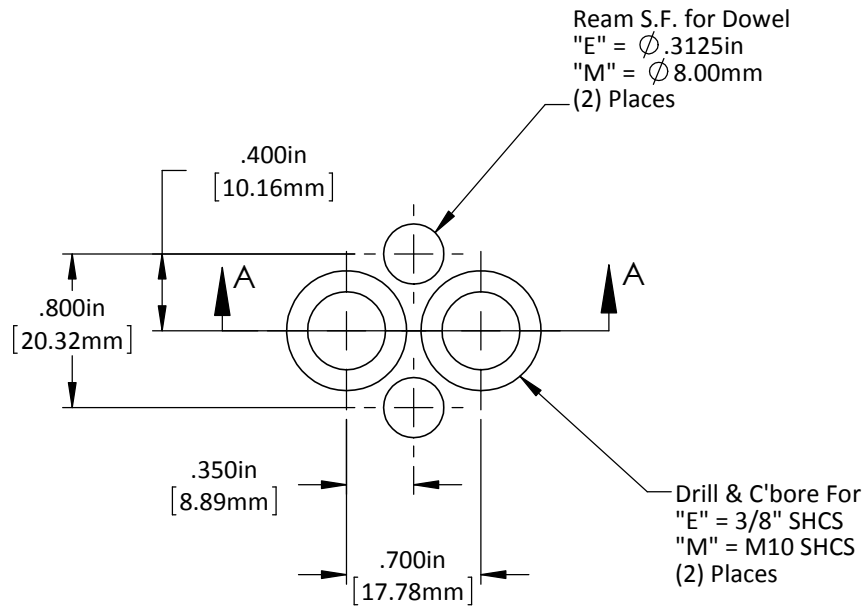


DO NOT SCALE DRAWING REV 1

This product may be covered by one or more patents or
 patent applications.
 See <http://www.standardlifters.com/patents.html> for details.

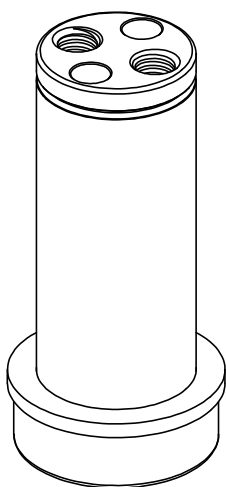
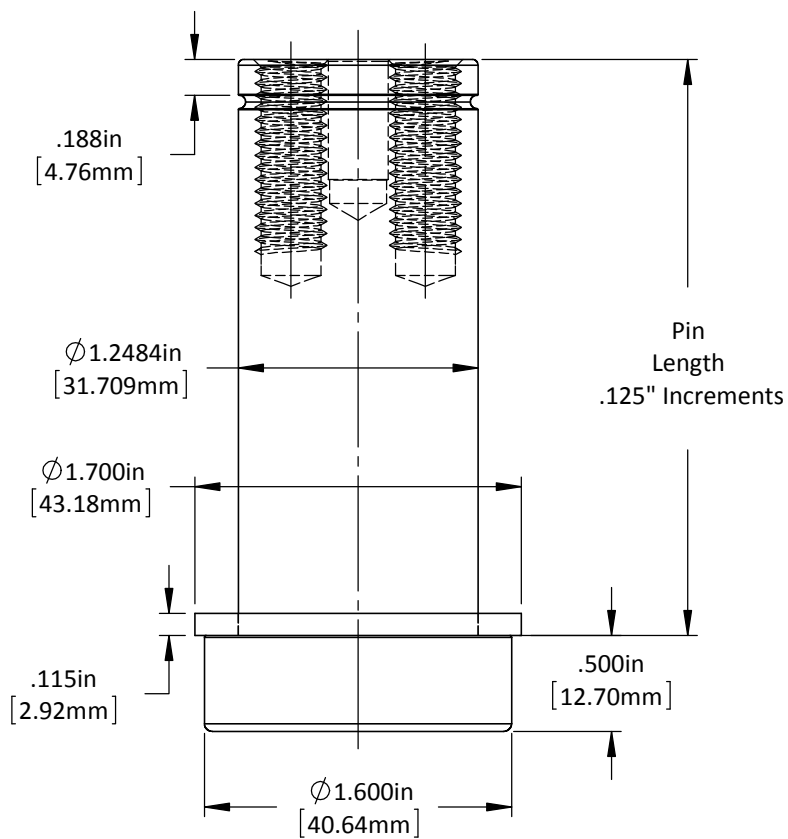
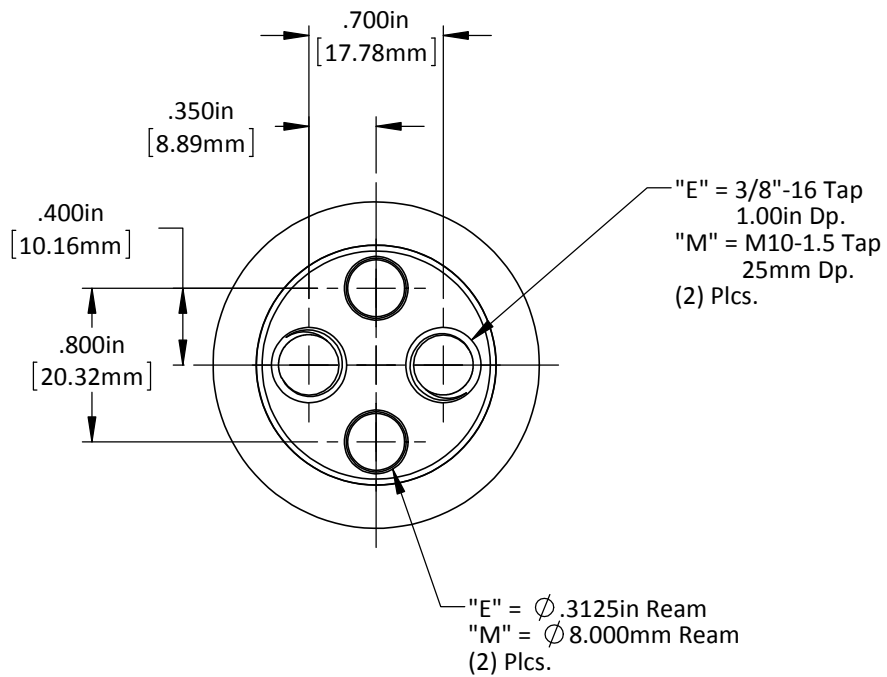
Base-SL19-7-.75
Standard Lifters Inc





DO NOT SCALE DRAWING	REV 1
This product may be covered by one or more patents or patent applications. See http://www.standardlifters.com/patents.html for details.	

Guide Pin SL19-Machining
STANDARD LIFTERS INC

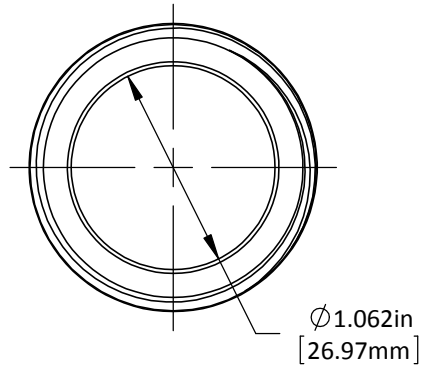


DO NOT SCALE DRAWING REV 1

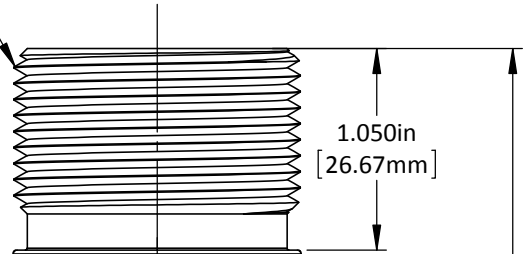
This product may be covered by one or more patents or patent applications.
 See <http://www.standardlifters.com/patents.html> for details.

Guide Pin SL19

STANDARD LIFTERS INC

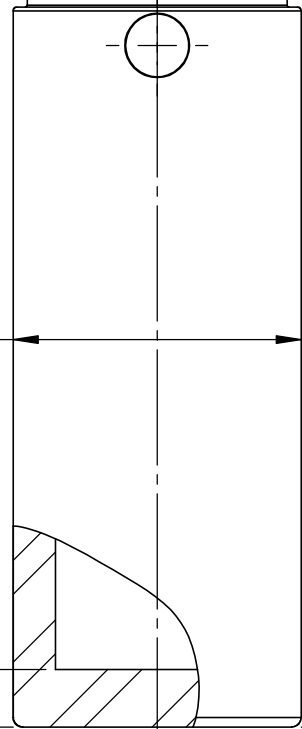


1 1/2"-12 Thread

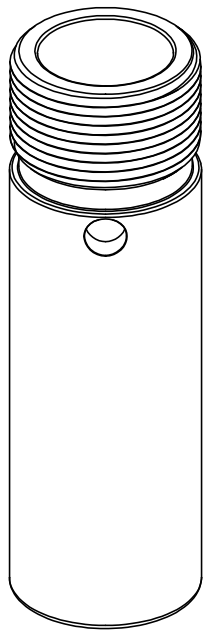


Spring Can
Overall Length
2.8" Min. - 12.3" Max.
.5" Increments

$\text{Ø}1.500\text{in}$
[38.10mm]

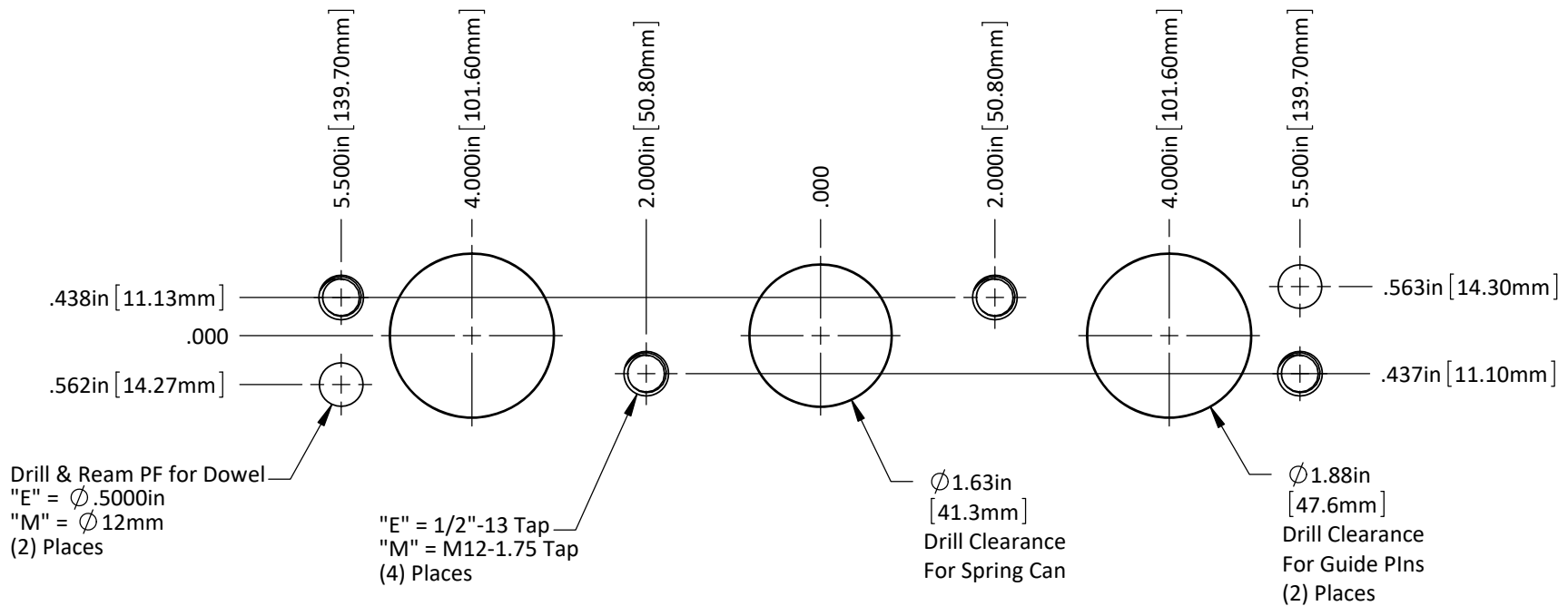


.300in
[7.62mm]



DO NOT SCALE DRAWING REV 1
This product may be covered by one or more patents or patent applications.
See <http://www.standardlifters.com/patents.html> for details.

Spring Can-MSR100
STANDARD LIFTERS INC



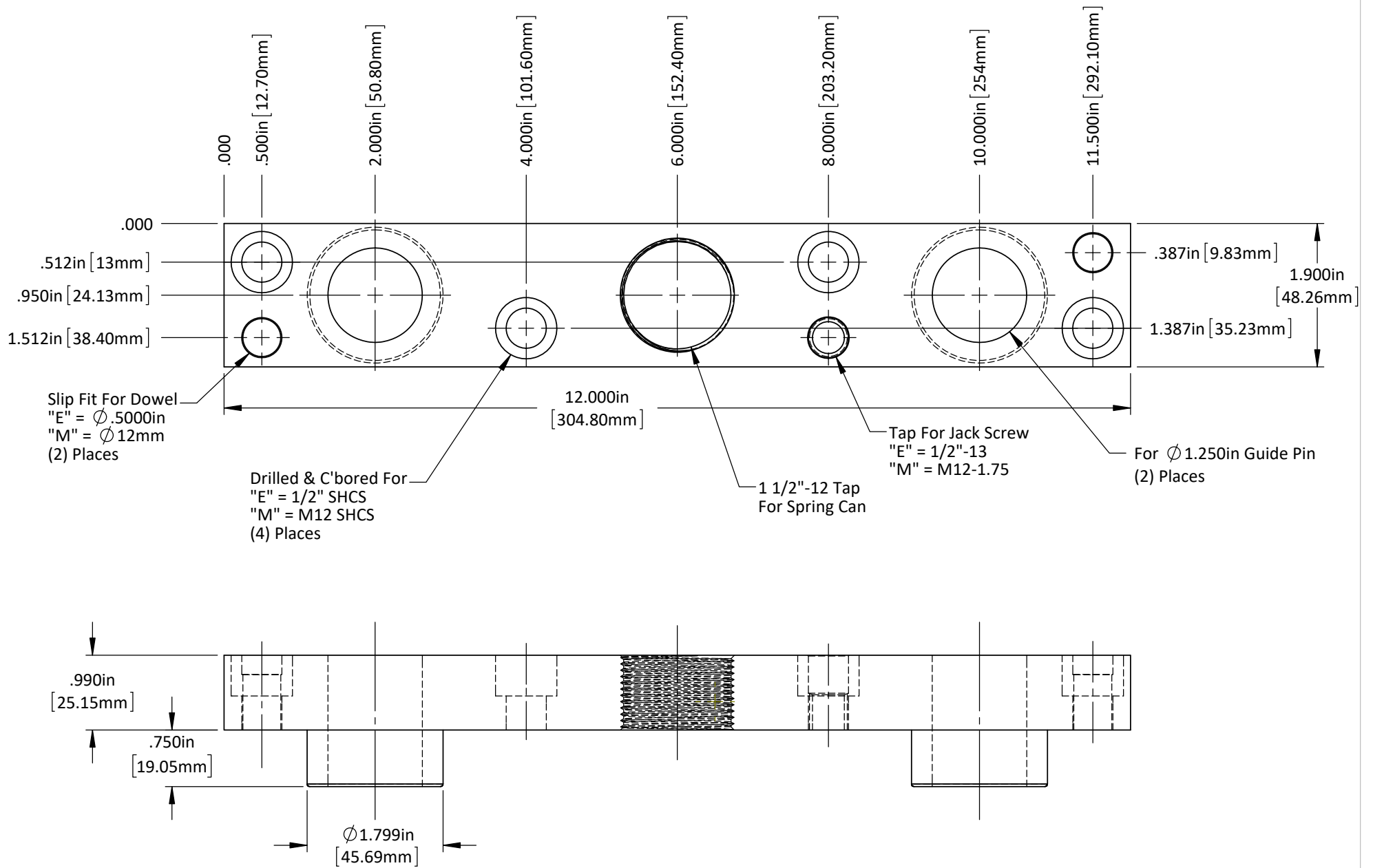
DO NOT SCALE DRAWING

REV 1

This product may be covered by one or more patents or patent applications.
 See <http://www.standardlifters.com/patents.html> for details.

Base-SL19-12-Machining

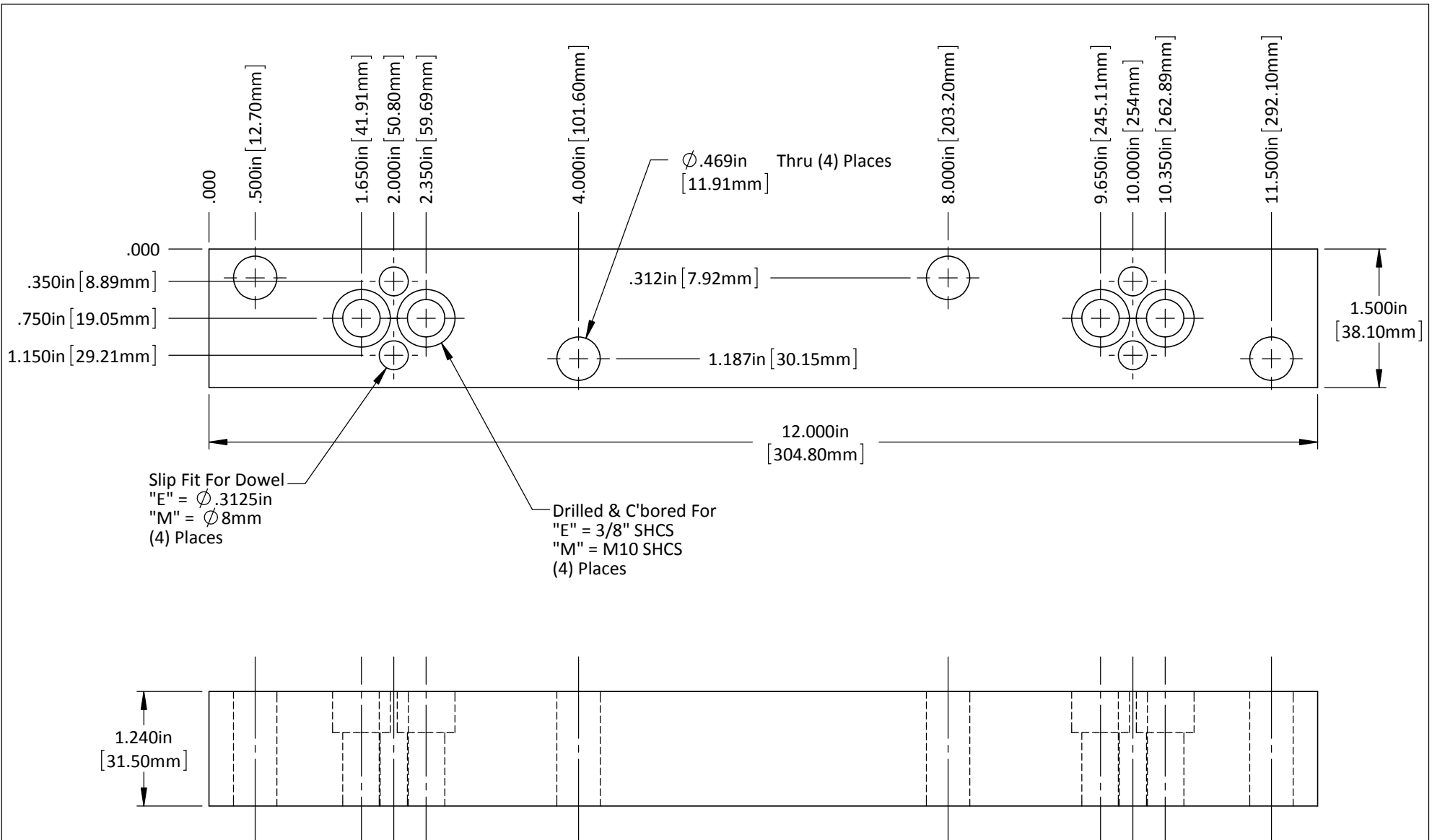
Standard Lifters Inc

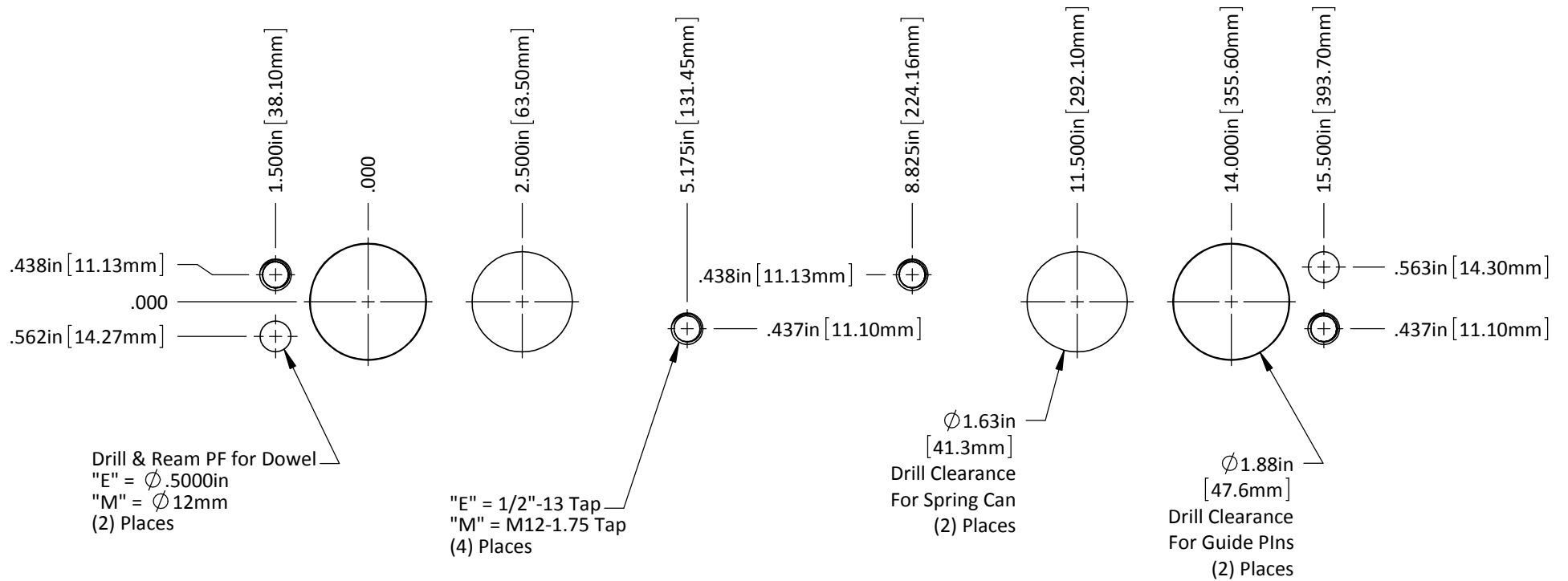


DO NOT SCALE DRAWING REV 1

This product may be covered by one or more patents or patent applications. See <http://www.standardlifters.com/patents.html> for details.

Base-SL19-12-.75
Standard Lifters Inc





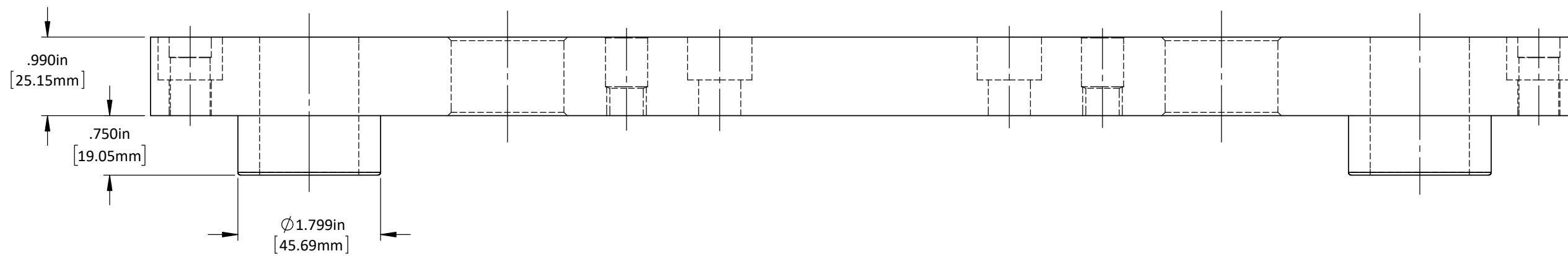
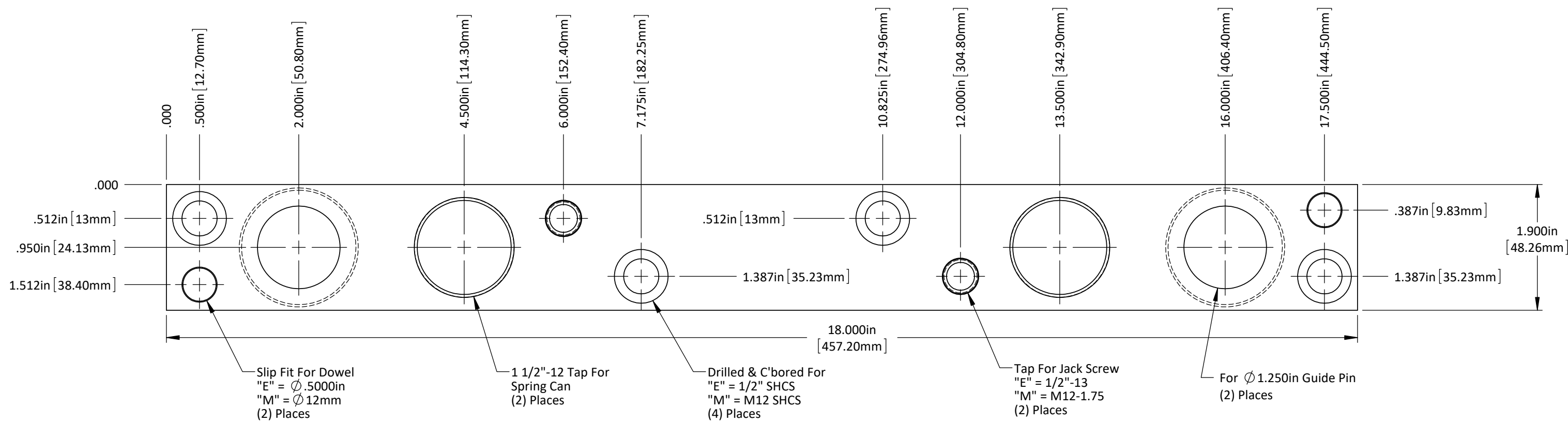
DO NOT SCALE DRAWING

REV 1

This product may be covered by one or more patents or patent applications.
See <http://www.standardlifters.com/patents.html> for details.

Base-SL19-18-Machining

STANDARD LIFTERS INC

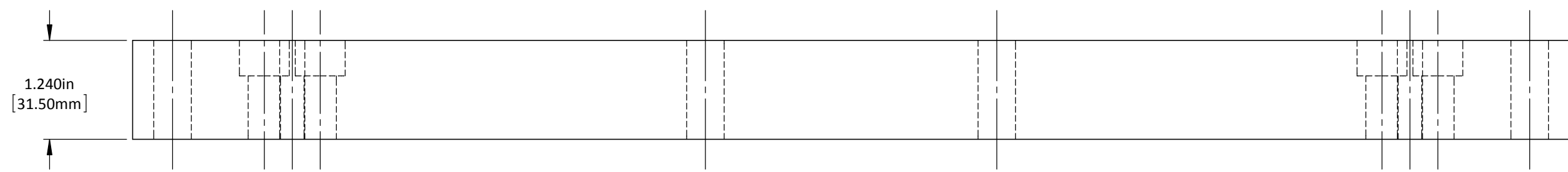
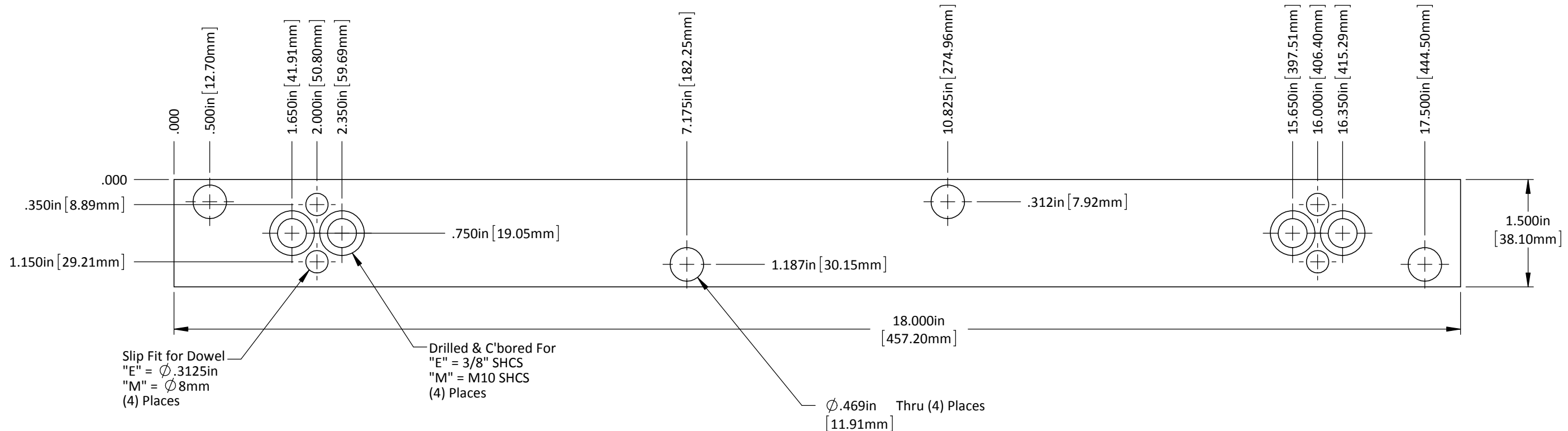


DO NOT SCALE DRAWING REV 1

This product may be covered by one or more patents or patent applications.
 See <http://www.standardlifters.com/patents.html> for details.

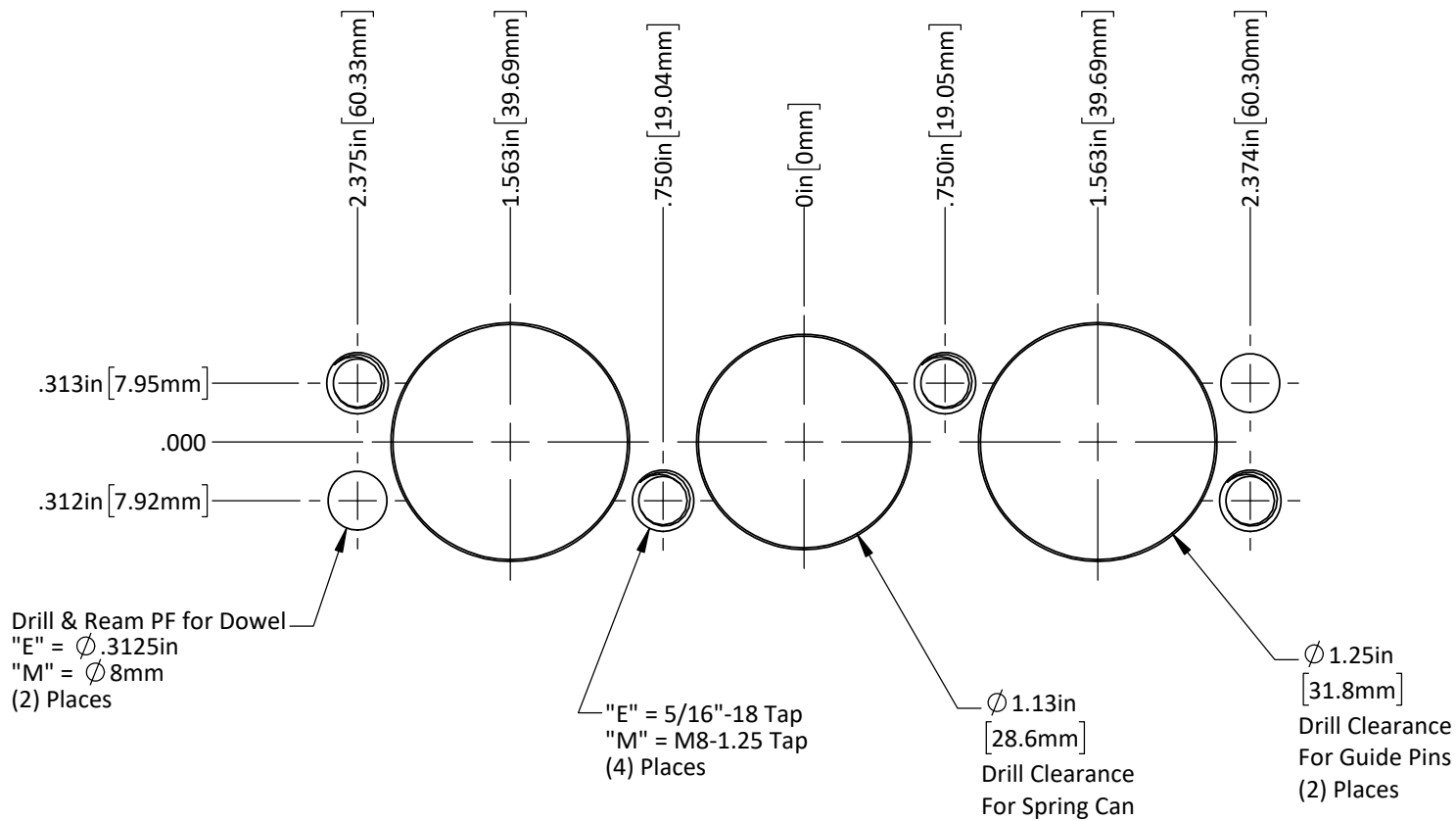
Base-SL19-18-.75

Standard Lifters Inc



DO NOT SCALE DRAWING | REV 1
 This product may be covered by one or more patents or patent applications.
 See <http://www.standardlifters.com/patents.html> for details.

Top Plate-SL19-18-A
STANDARD LIFTERS INC



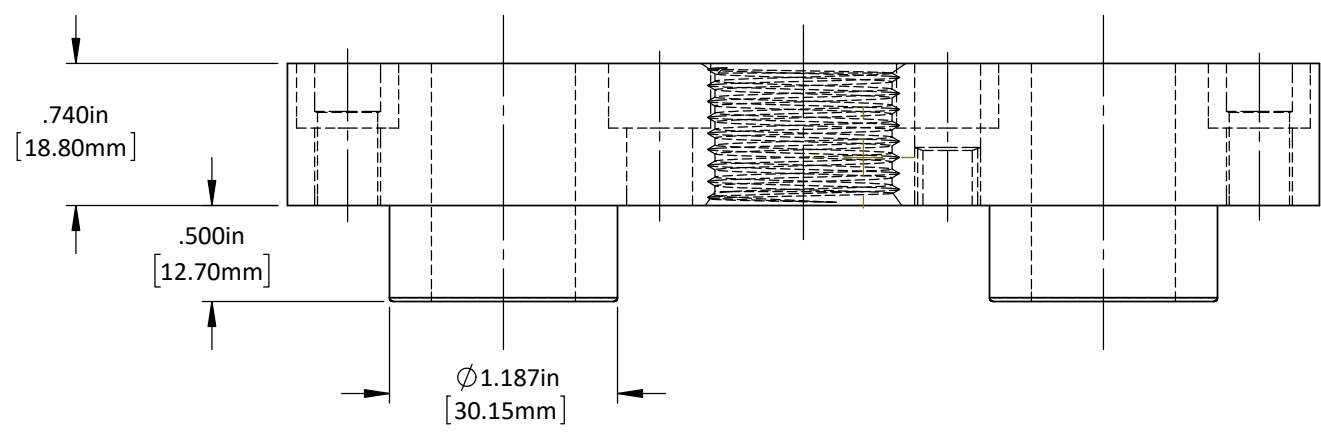
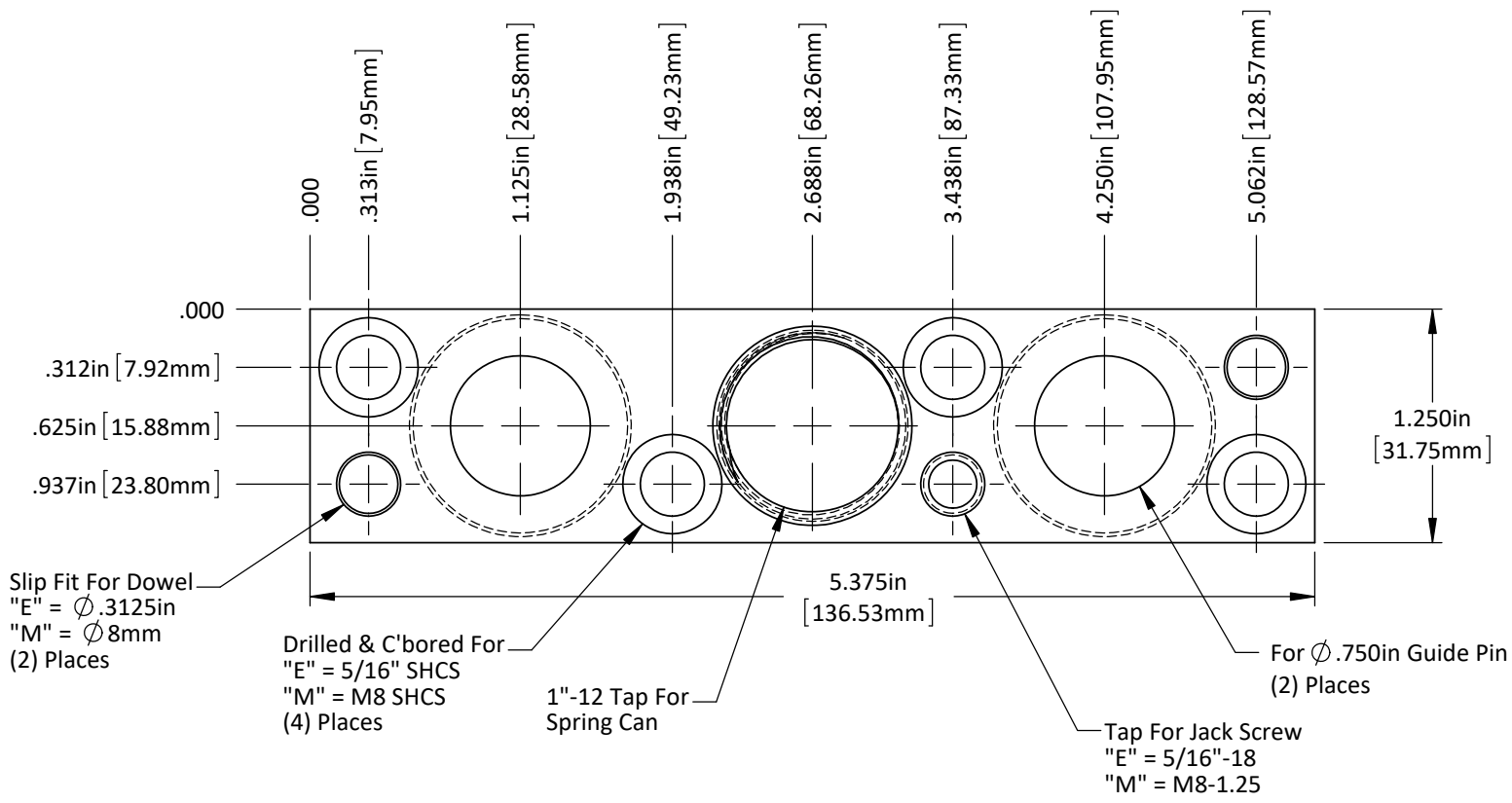
DO NOT SCALE DRAWING

REV 2

This product may be covered by one or more patents or patent applications.
See <http://www.standardlifters.com/patents.html> for details.

Base-SM12-5.38-Machining

Standard Lifters Inc

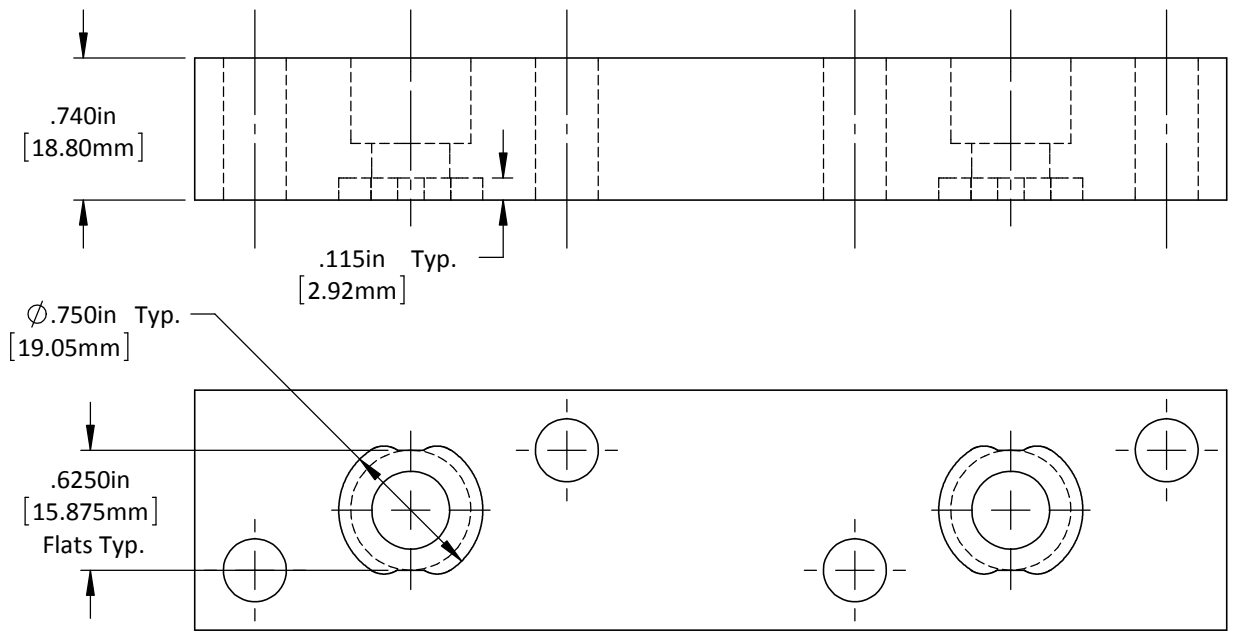
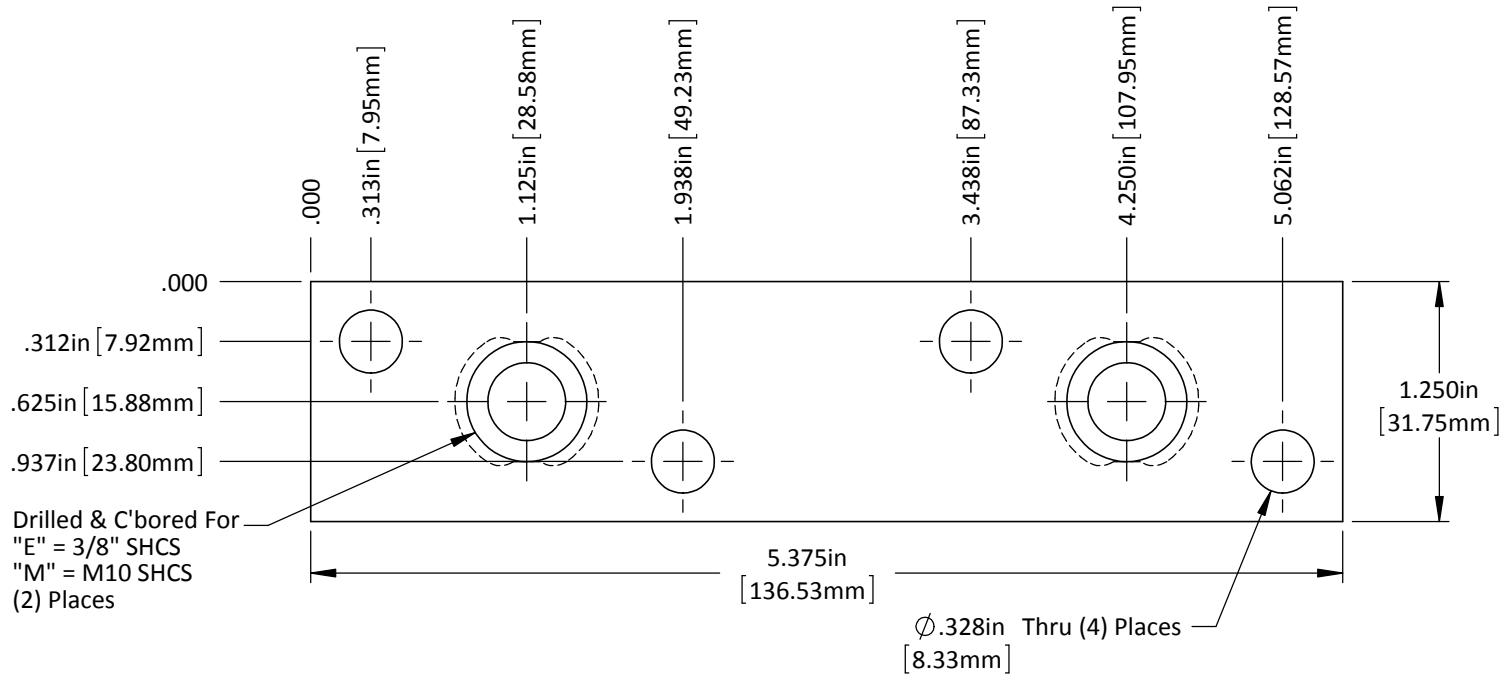


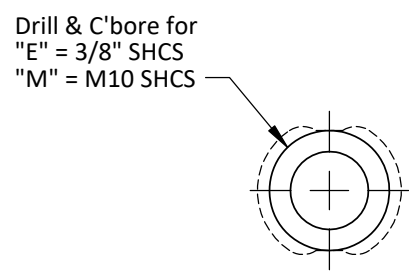
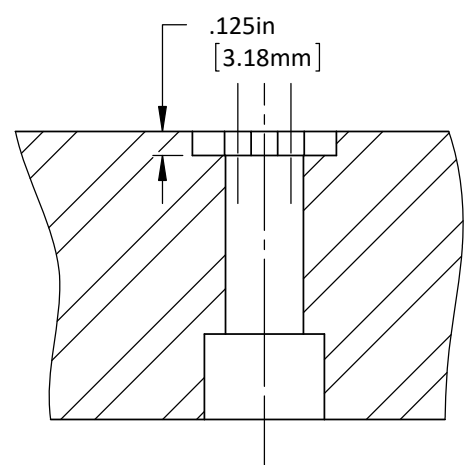
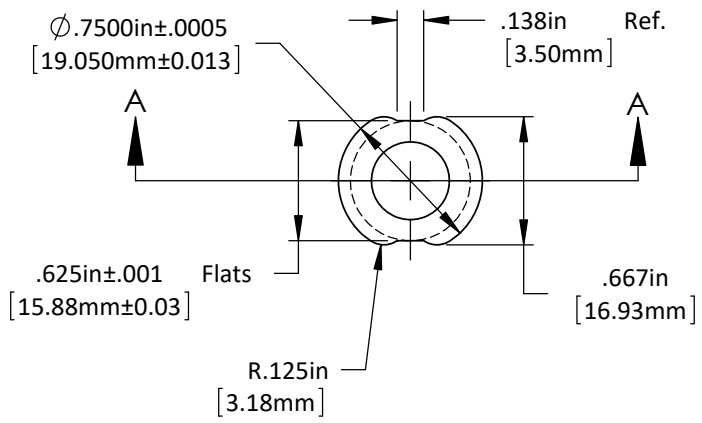
DO NOT SCALE DRAWING REV 1

This product may be covered by one or more patents or patent applications.
See <http://www.standardlifters.com/patents.html> for details.

Base-SM12-5.38-.5

Standard Lifters Inc



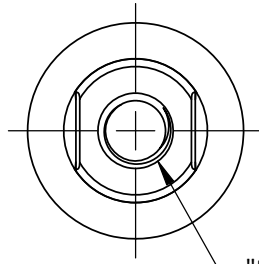


DO NOT SCALE DRAWING REV 1

This product may be covered by one or more patents or
 patent applications.
 See <http://www.standardlifters.com/patents.html> for details.

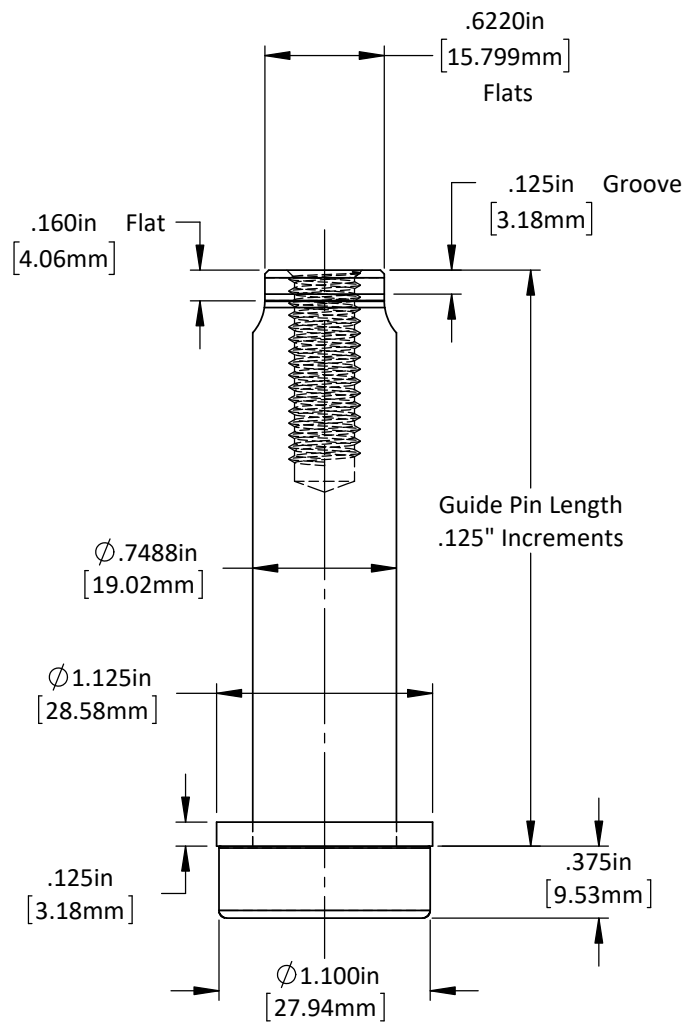
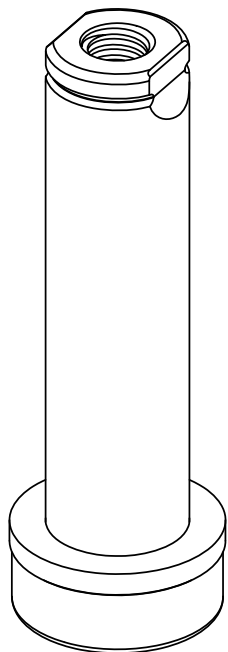
Guide Pin GK75-Machining

Standard Lifters Inc



"E" = 3/8-16 Tap
1.00in Dp.

"M" = M10-1.5 Tap
25mm Dp.



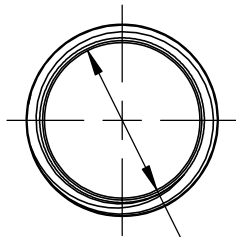
DO NOT SCALE DRAWING

REV 1

This product may be covered by one or more patents or patent applications.
See <http://www.standardlifters.com/patents.html> for details.

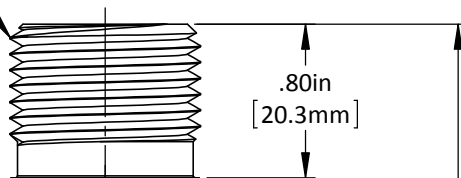
Guide Pin GK75

Standard Lifters Inc



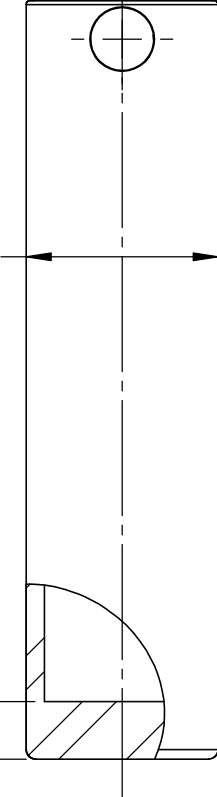
$\varnothing .810\text{in}$
[20.57mm]

1"-12 Thread



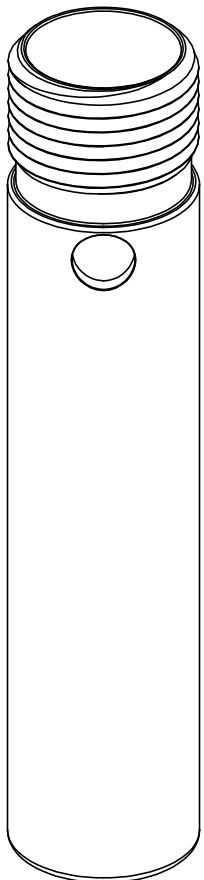
.80in
[20.3mm]

$\varnothing 1.000\text{in}$
[25.40mm]



Spring Can
Overall Length
1.75" Min. - 9.25" Max.
.375" Increments

.300in
[7.62mm]



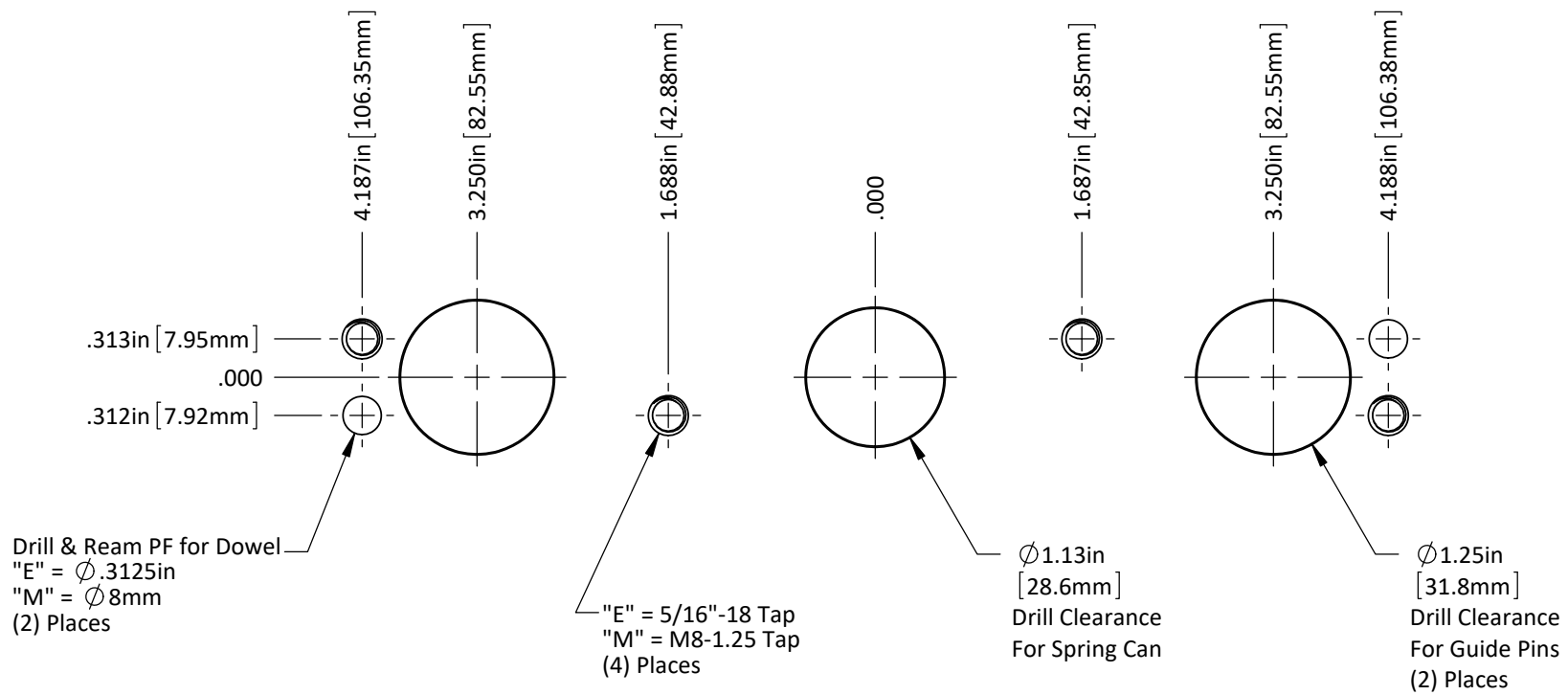
DO NOT SCALE DRAWING

REV 1

This product may be covered by one or more patents or patent applications.
See <http://www.standardlifters.com/patents.html> for details.

Spring Can-MSR75

STANDARD LIFTERS INC



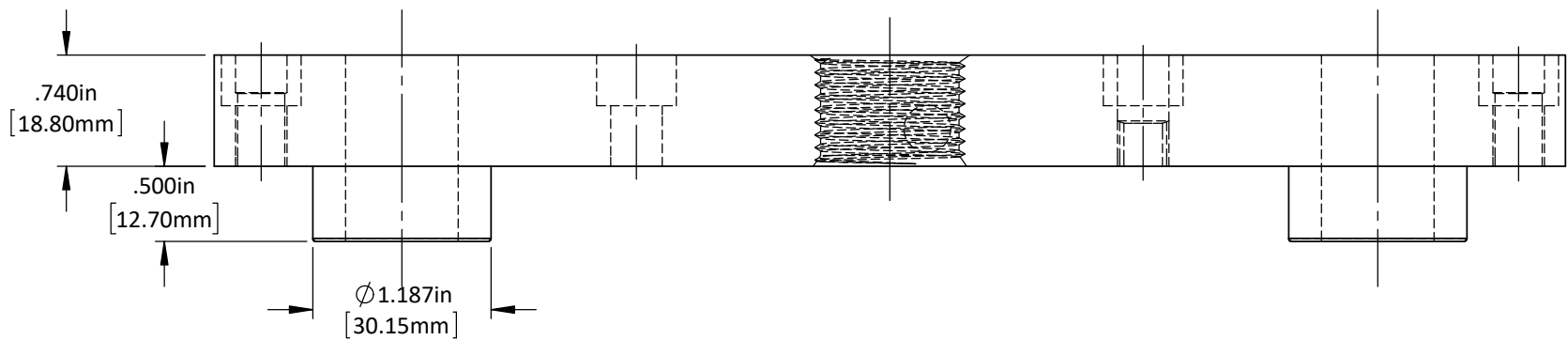
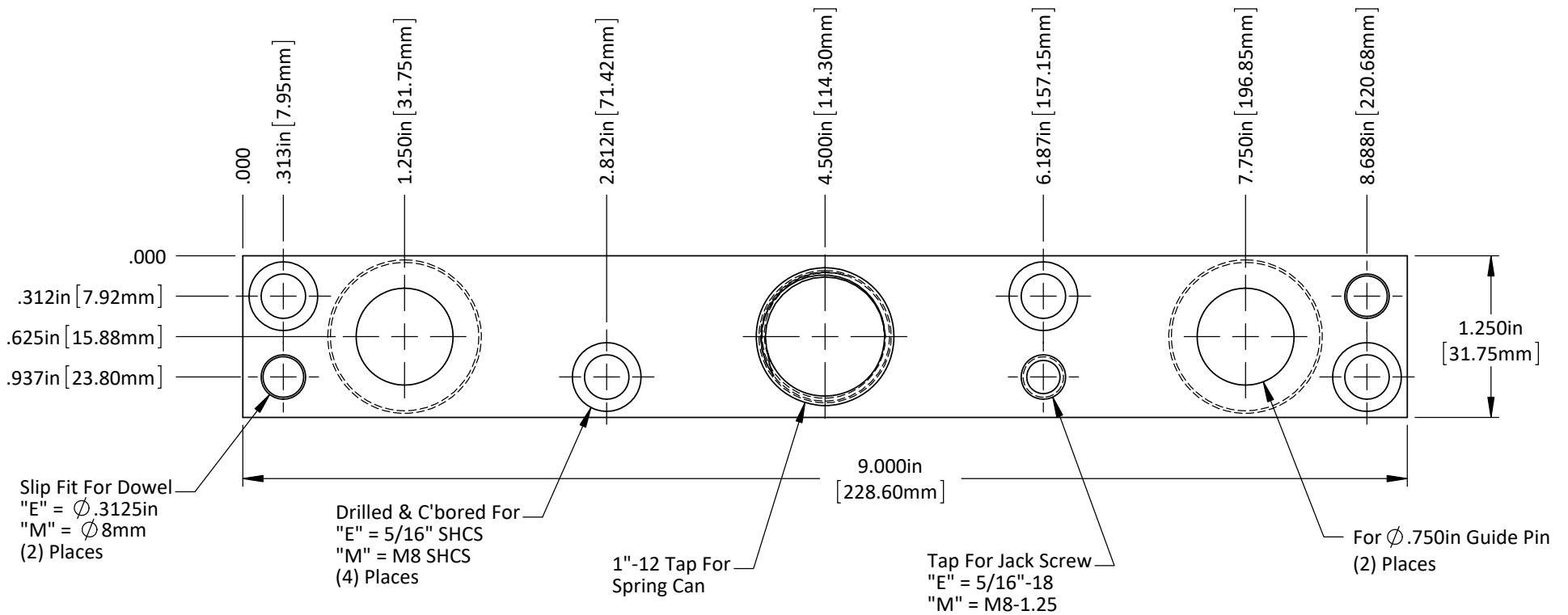
DO NOT SCALE DRAWING

REV 1

This product may be covered by one or more patents or patent applications.
See <http://www.standardlifters.com/patents.html> for details.

Base-SM12-9-Machining

Standard Lifters Inc

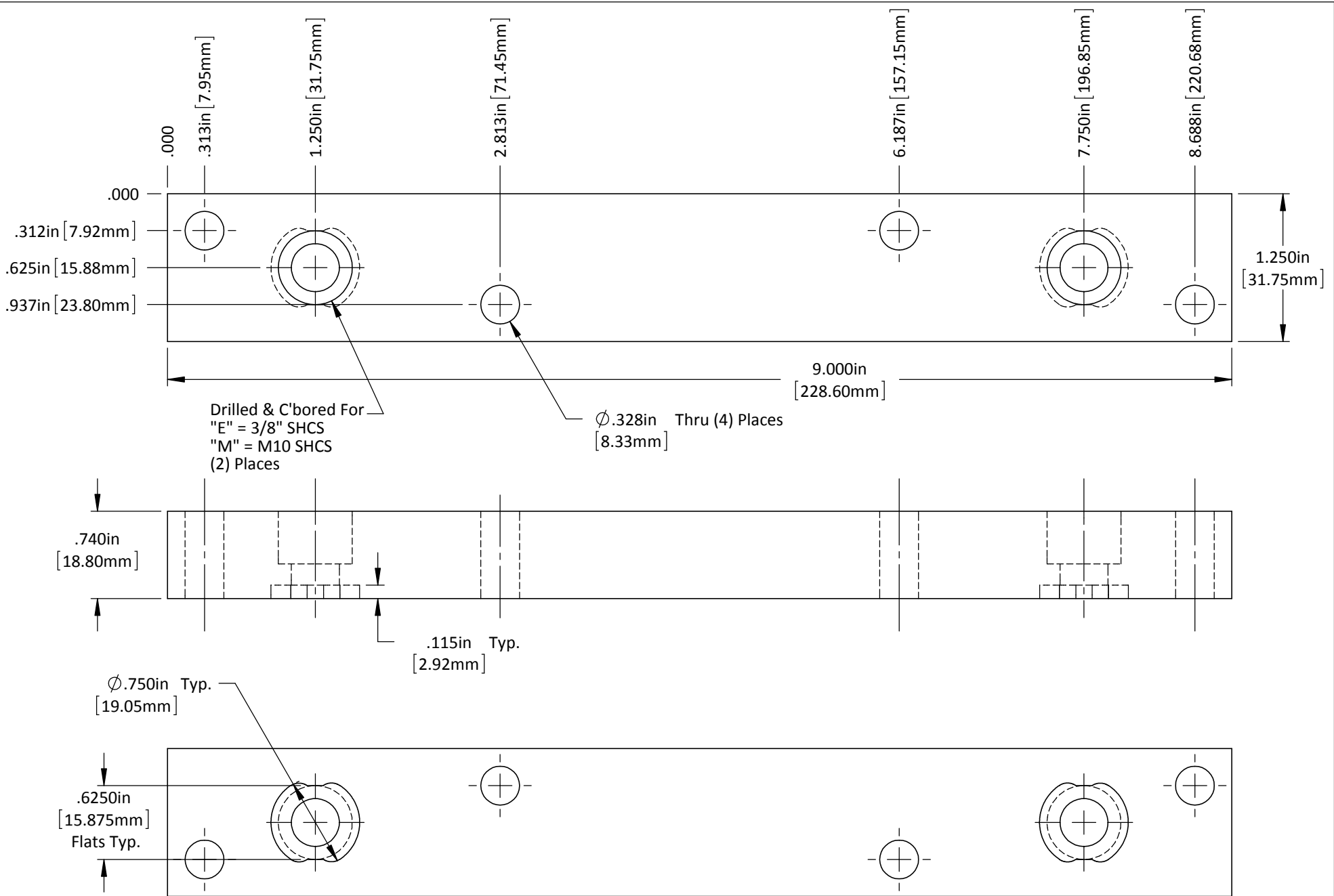


DO NOT SCALE DRAWING REV 1

This product may be covered by one or more patents or patent applications.
 See <http://www.standardlifters.com/patents.html> for details.

Base-SM12-9-.5

Standard Lifters Inc

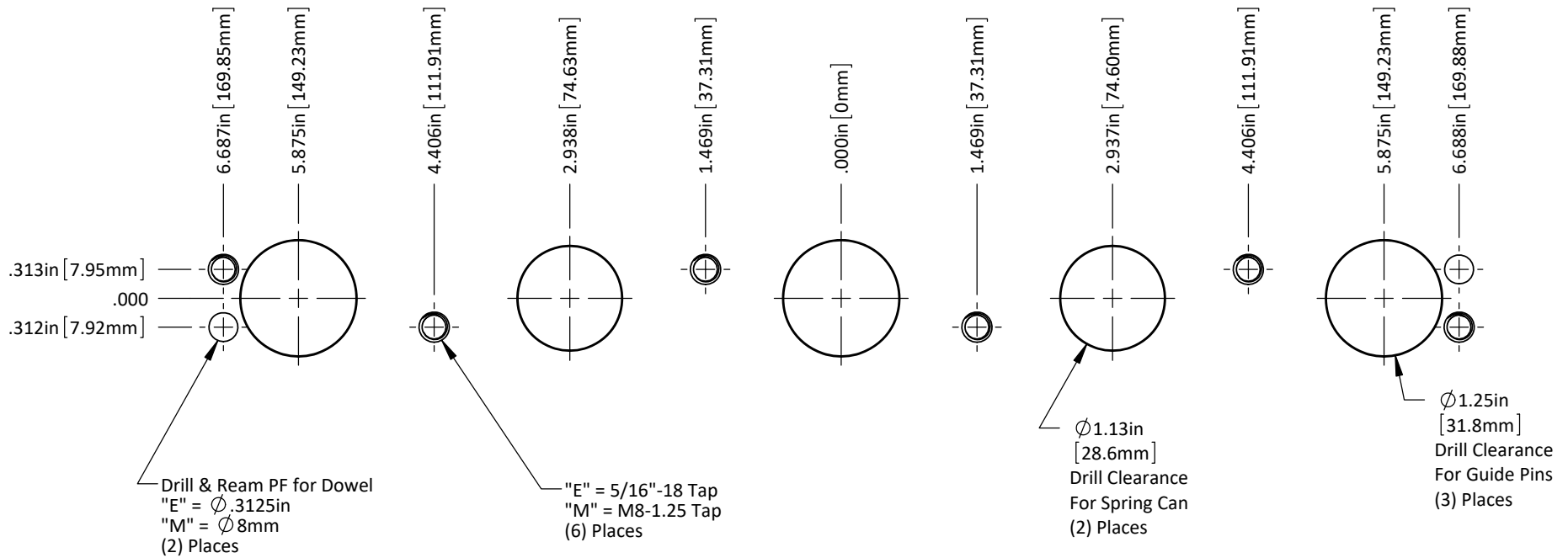


DO NOT SCALE DRAWING REV 1

This product may be covered by one or more patents or patent applications.
See <http://www.standardlifters.com/patents.html> for details.

Top Plate-SM12-9-A

STANDARD LIFTERS INC



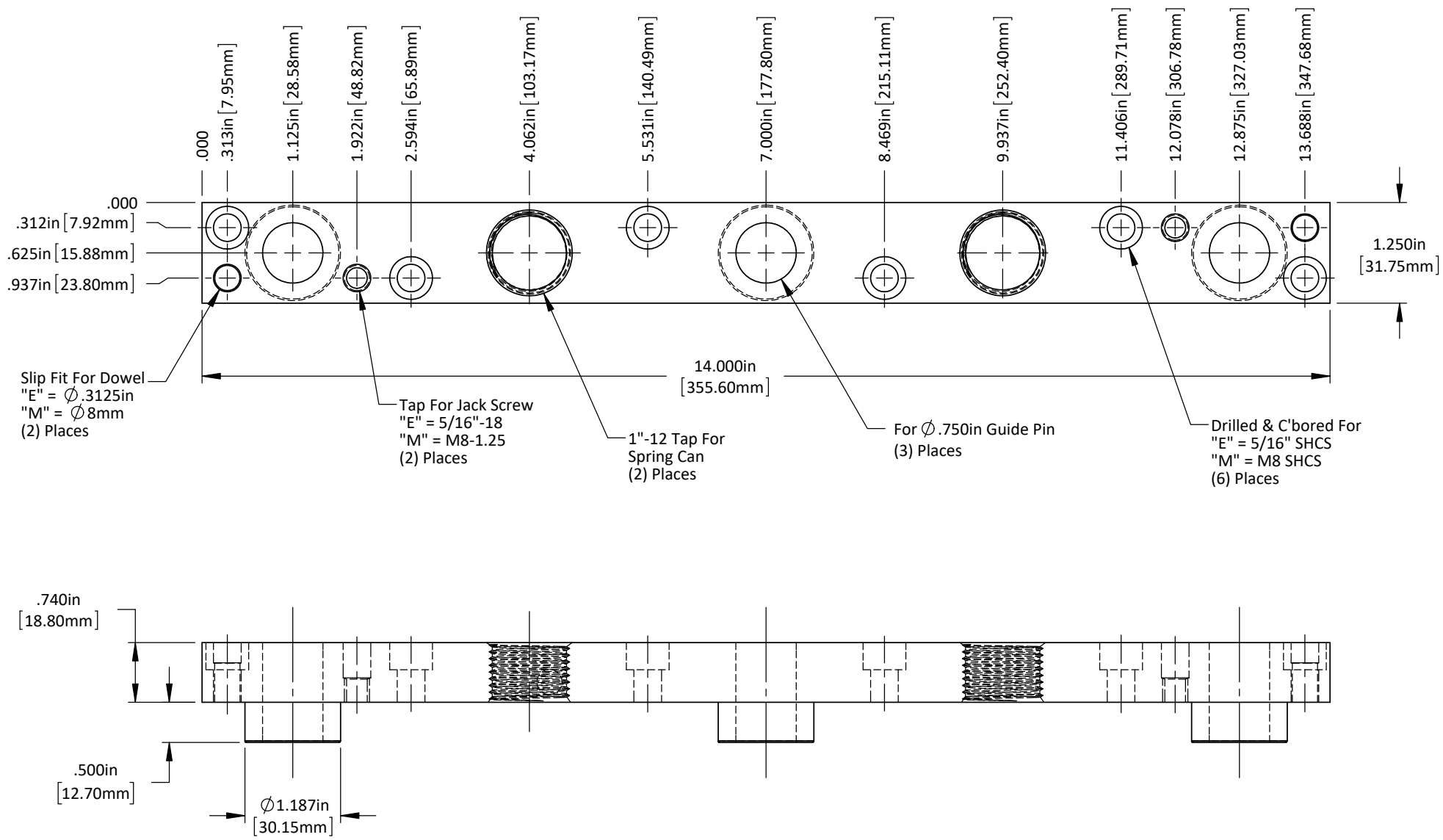
DO NOT SCALE DRAWING

REV 1

This product may be covered by one or more patents or patent applications.
 See <http://www.standardlifters.com/patents.html> for details.

Base-SM12-14-Machining

Standard Lifters Inc

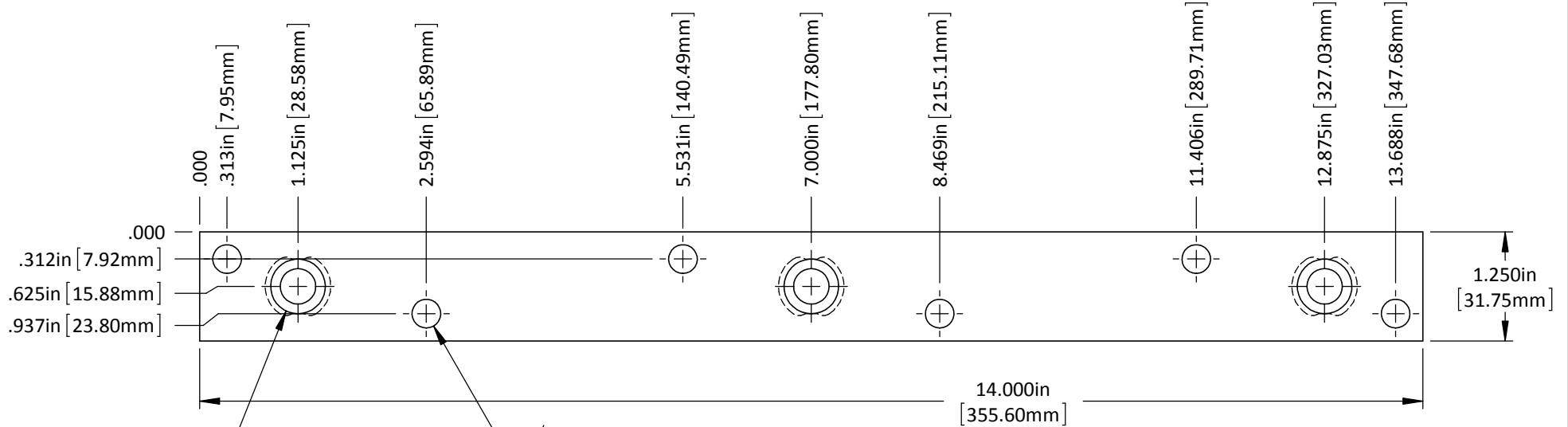


DO NOT SCALE DRAWING REV 1

This product may be covered by one or more patents or patent applications.
See <http://www.standardlifters.com/patents.html> for details.

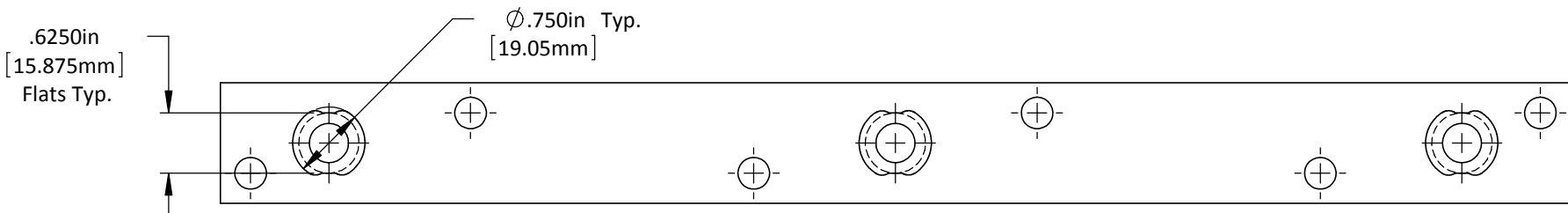
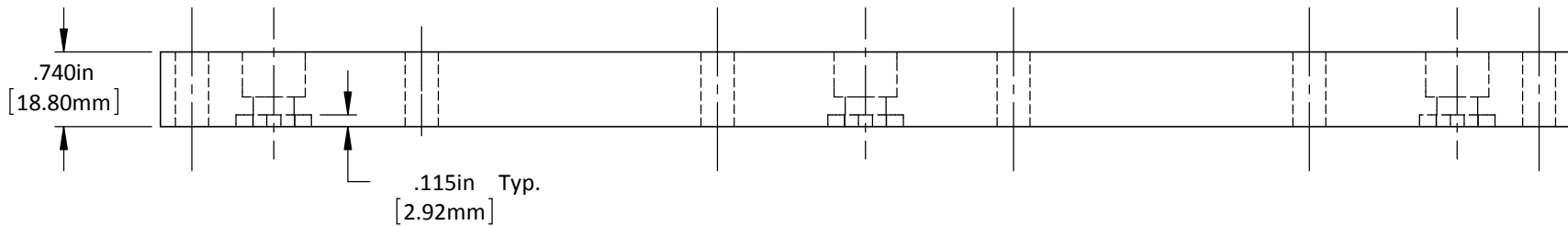
Base-SM12-14-.5

Standard Lifters Inc

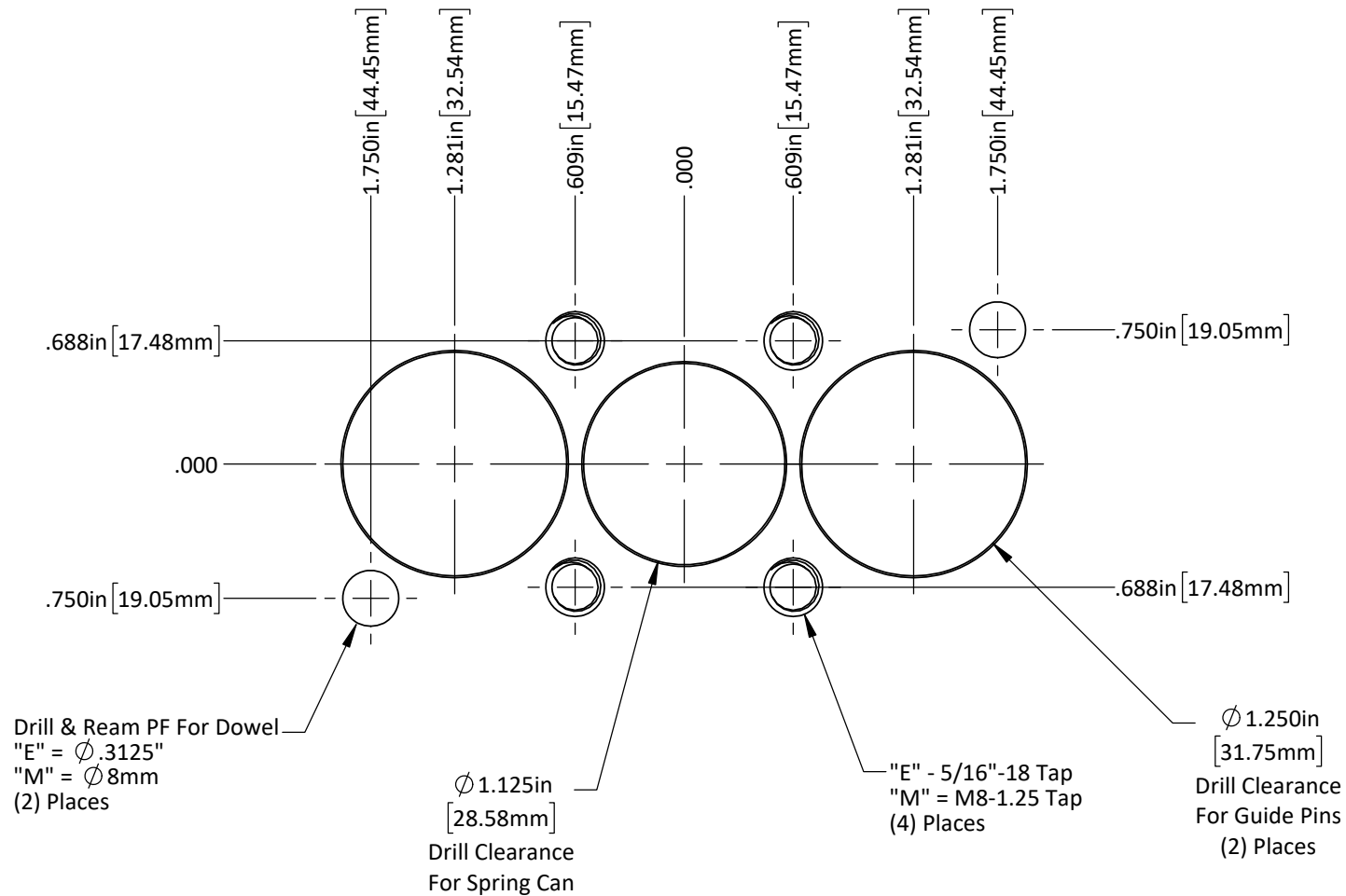


Drilled & C'bored For
 "E" = 3/8" SHCS
 "M" = M10 SHCS
 (3) Places

ϕ .328in Thru (6) Places
 [8.33mm]



DO NOT SCALE DRAWING	REV 1	Top Plate-SM12-14-A
This product may be covered by one or more patents or patent applications. See http://www.standardlifters.com/patents.html for details.		



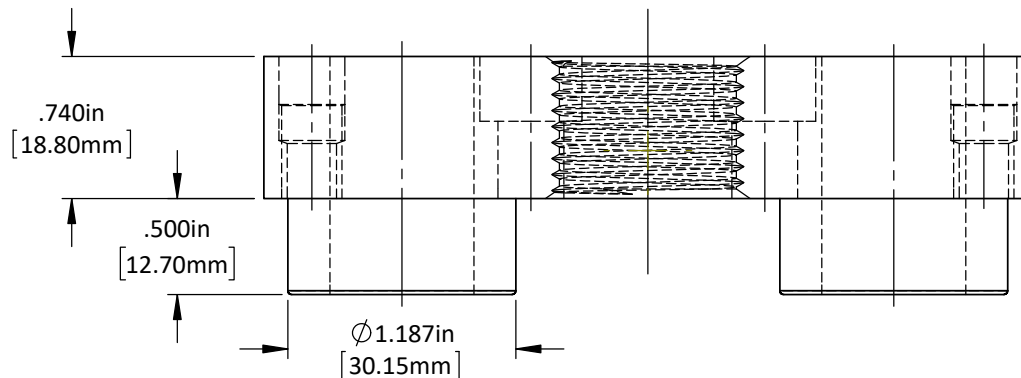
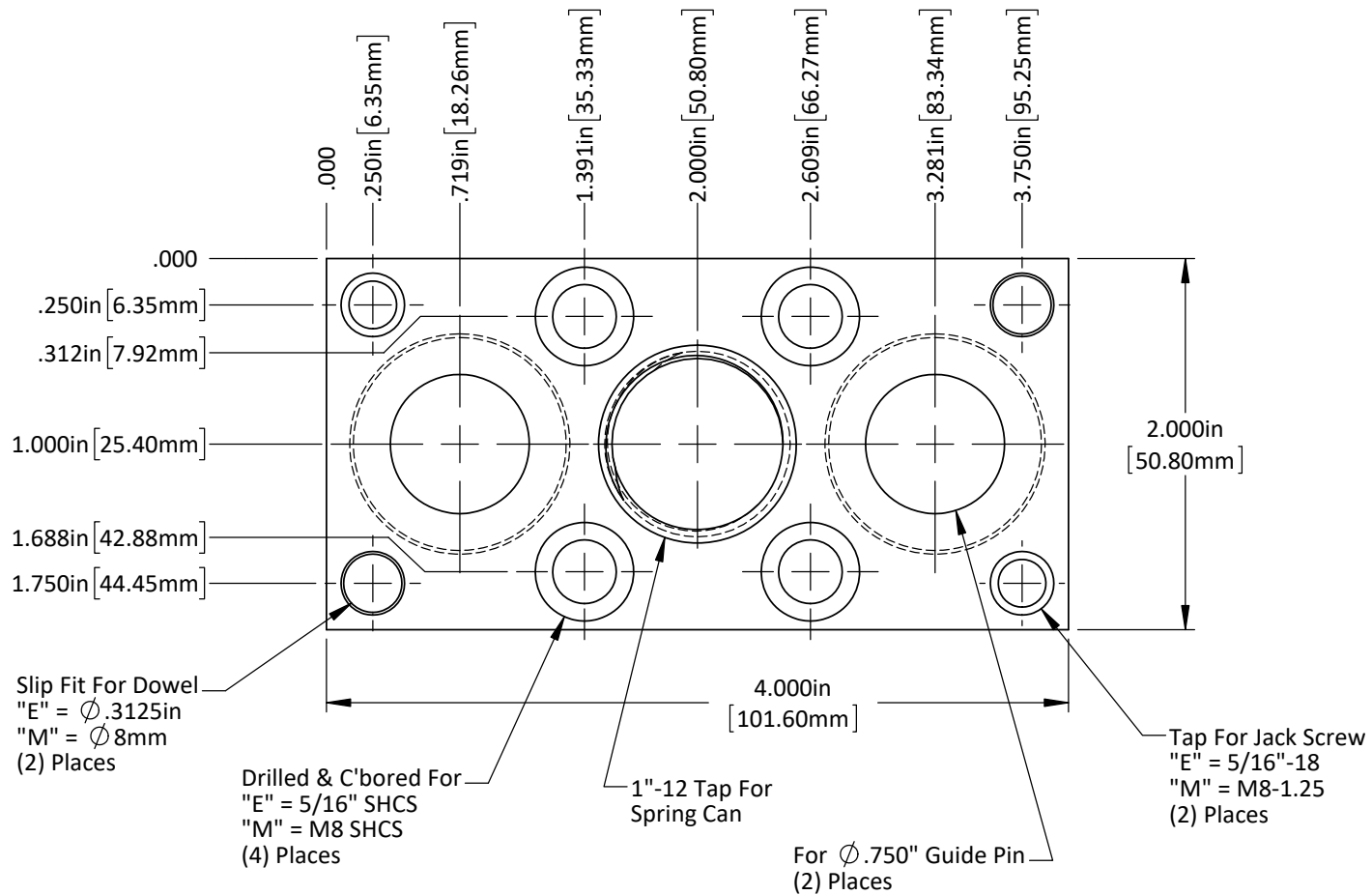
DO NOT SCALE DRAWING

REV 1

This product may be covered by one or more patents or patent applications.
See <http://www.standardlifters.com/patents.html> for details.

Base-SM20-4-Machining

Standard Lifters Inc



DO NOT SCALE DRAWING

REV 1

This product may be covered by one or more patents or patent applications.
 See <http://www.standardlifters.com/patents.html> for details.

Base-SM20-4-.5

Standard Lifters Inc

