

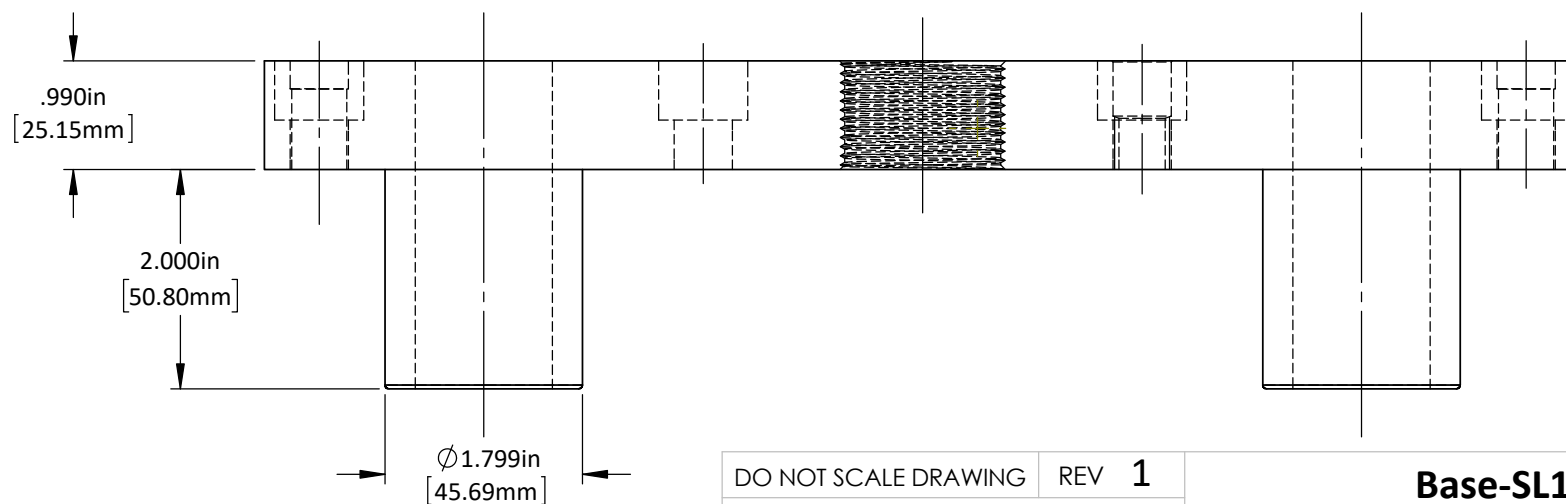
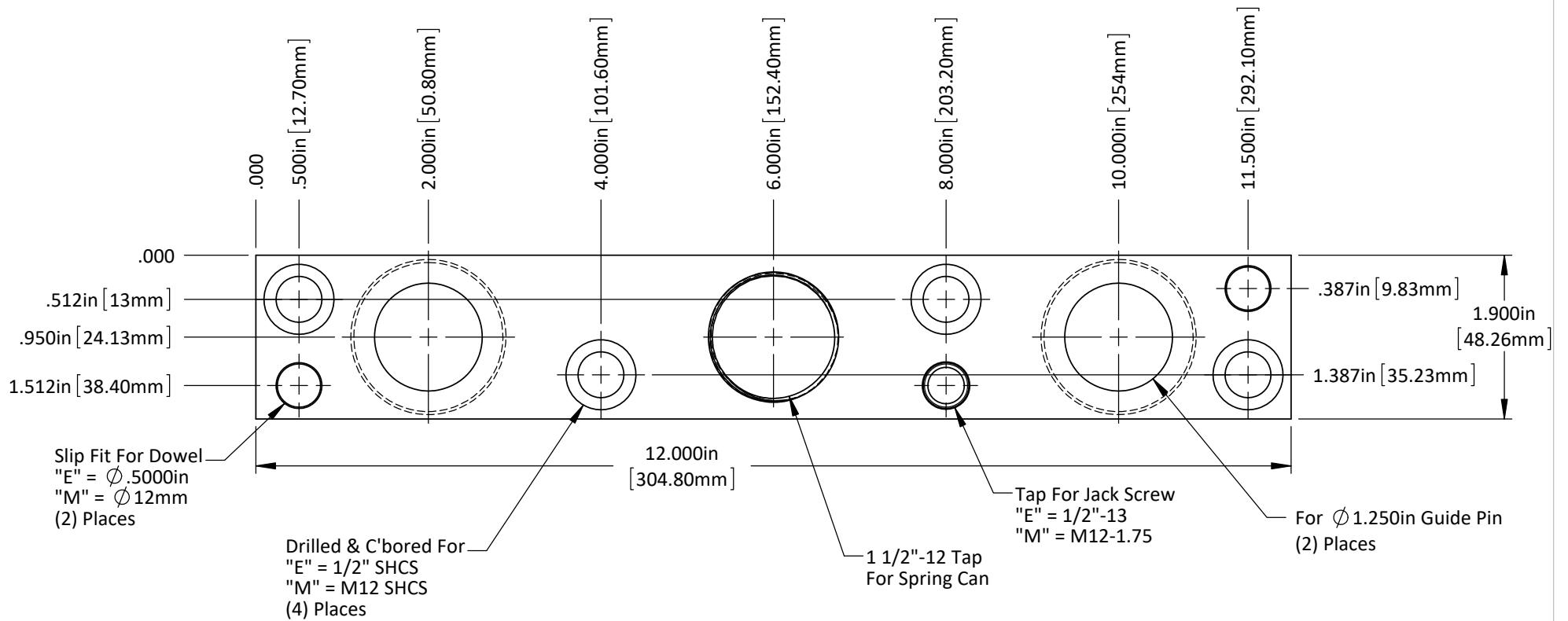
DO NOT SCALE DRAWING

REV 1

This product may be covered by one or more patents or patent applications.
See <http://www.standardlifters.com/patents.html> for details.

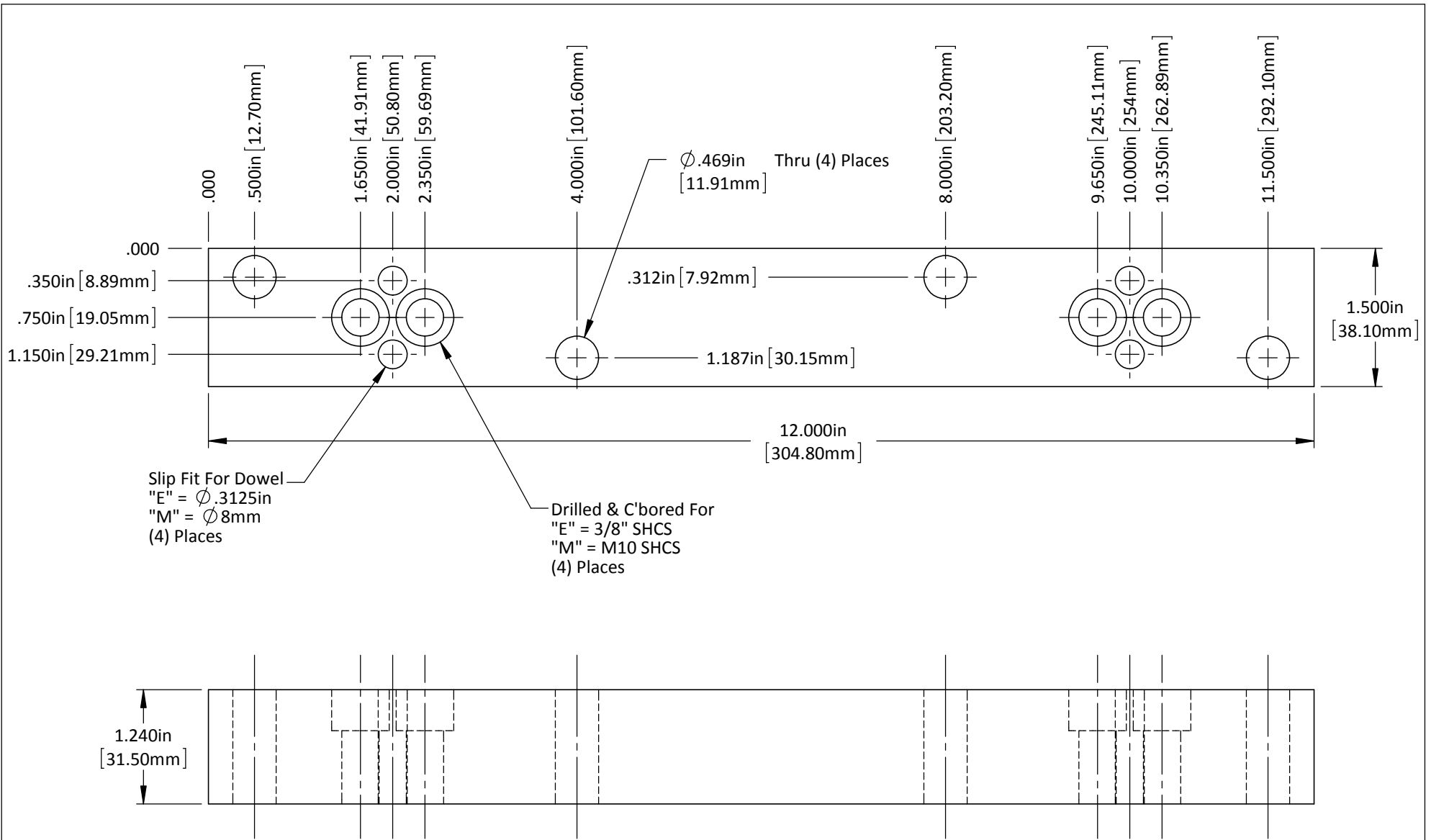
Base-SL19-12-Machining

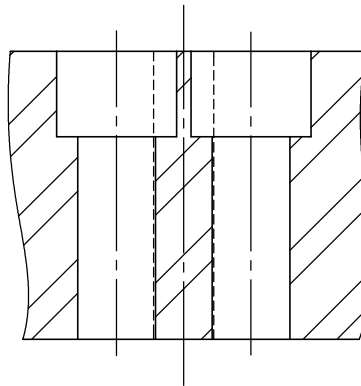
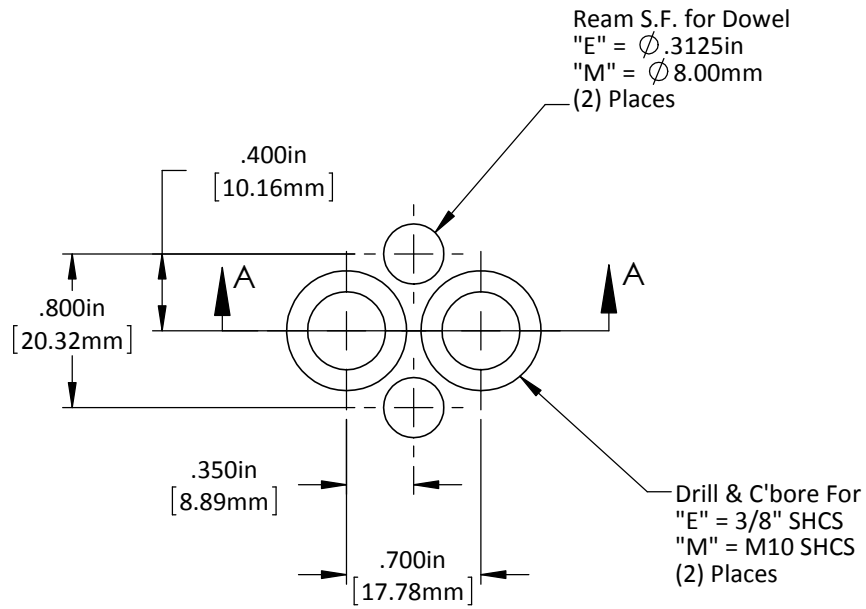
Standard Lifters Inc



DO NOT SCALE DRAWING REV 1
 This product may be covered by one or more patents or patent applications.
 See <http://www.standardlifters.com/patents.html> for details.

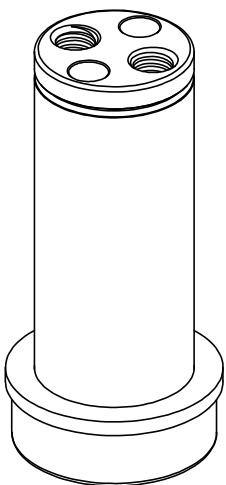
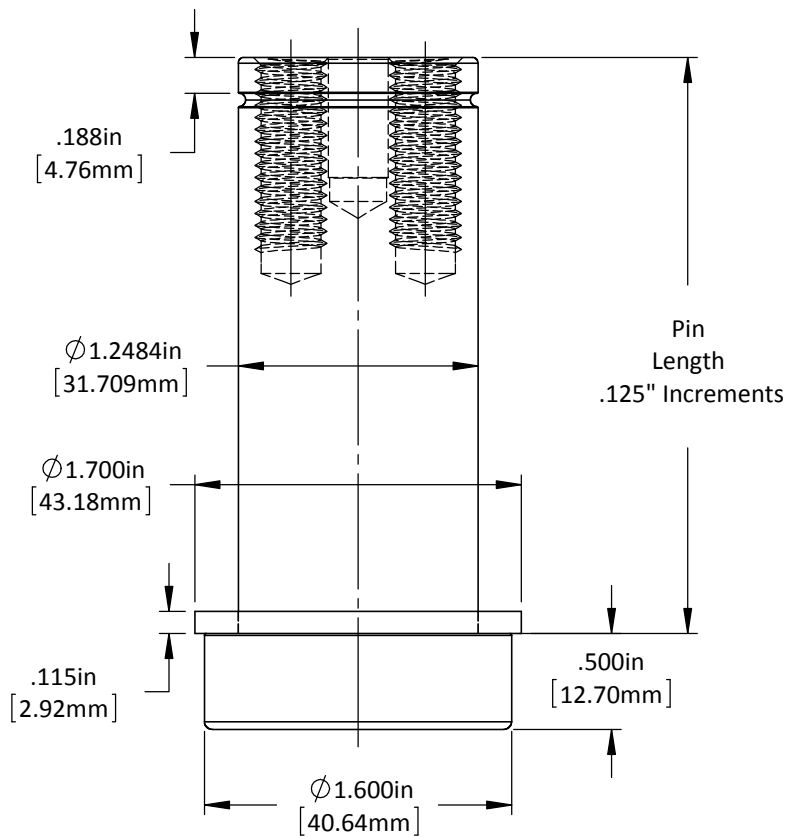
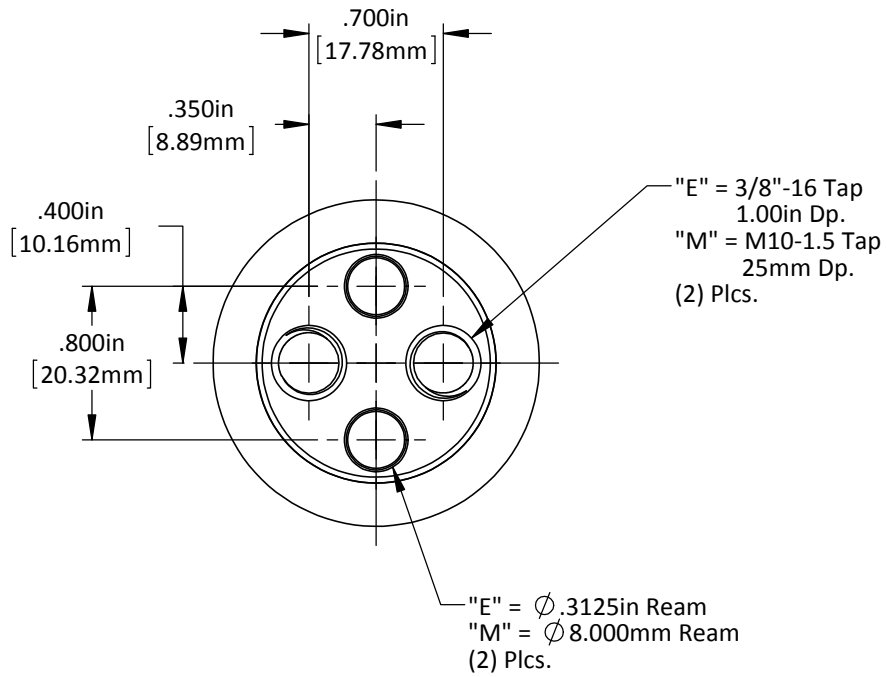
Base-SL19-12-2
Standard Lifters Inc





DO NOT SCALE DRAWING	REV 1
This product may be covered by one or more patents or patent applications. See http://www.standardlifters.com/patents.html for details.	

Guide Pin SL19-Machining
STANDARD LIFTERS INC



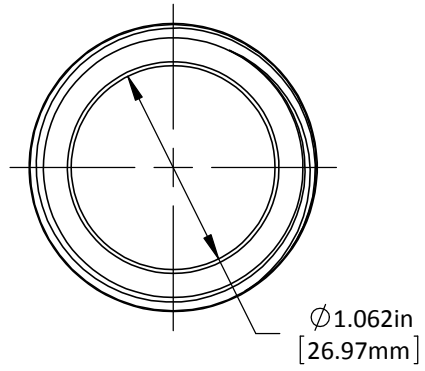
DO NOT SCALE DRAWING

REV 1

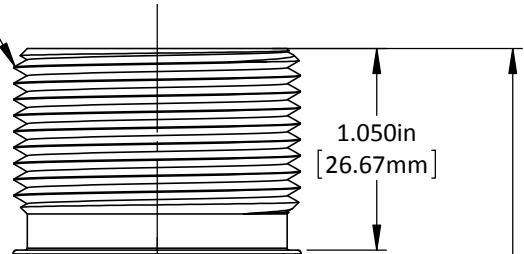
This product may be covered by one or more patents or patent applications.
 See <http://www.standardlifters.com/patents.html> for details.

Guide Pin SL19

STANDARD LIFTERS INC



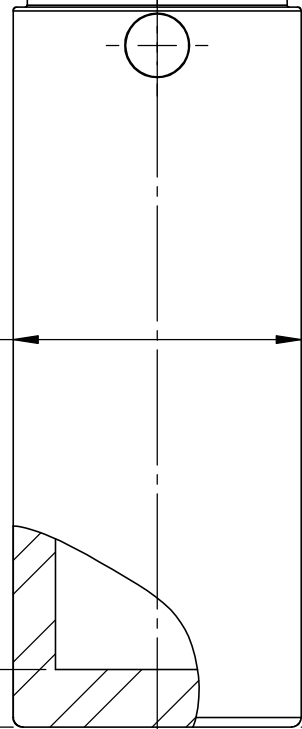
1 1/2"-12 Thread



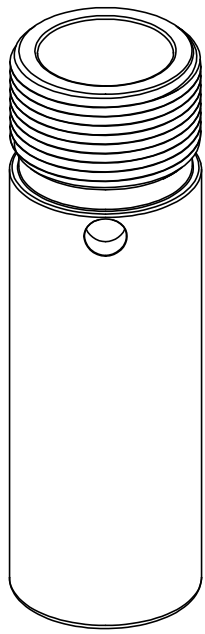
1.050in
[26.67mm]

Spring Can
Overall Length
2.8" Min. - 12.3" Max.
.5" Increments

$\text{Ø}1.500\text{in}$
[38.10mm]



.300in
[7.62mm]



DO NOT SCALE DRAWING REV 1
 This product may be covered by one or more patents or patent applications.
 See <http://www.standardlifters.com/patents.html> for details.

Spring Can-MSR100
STANDARD LIFTERS INC