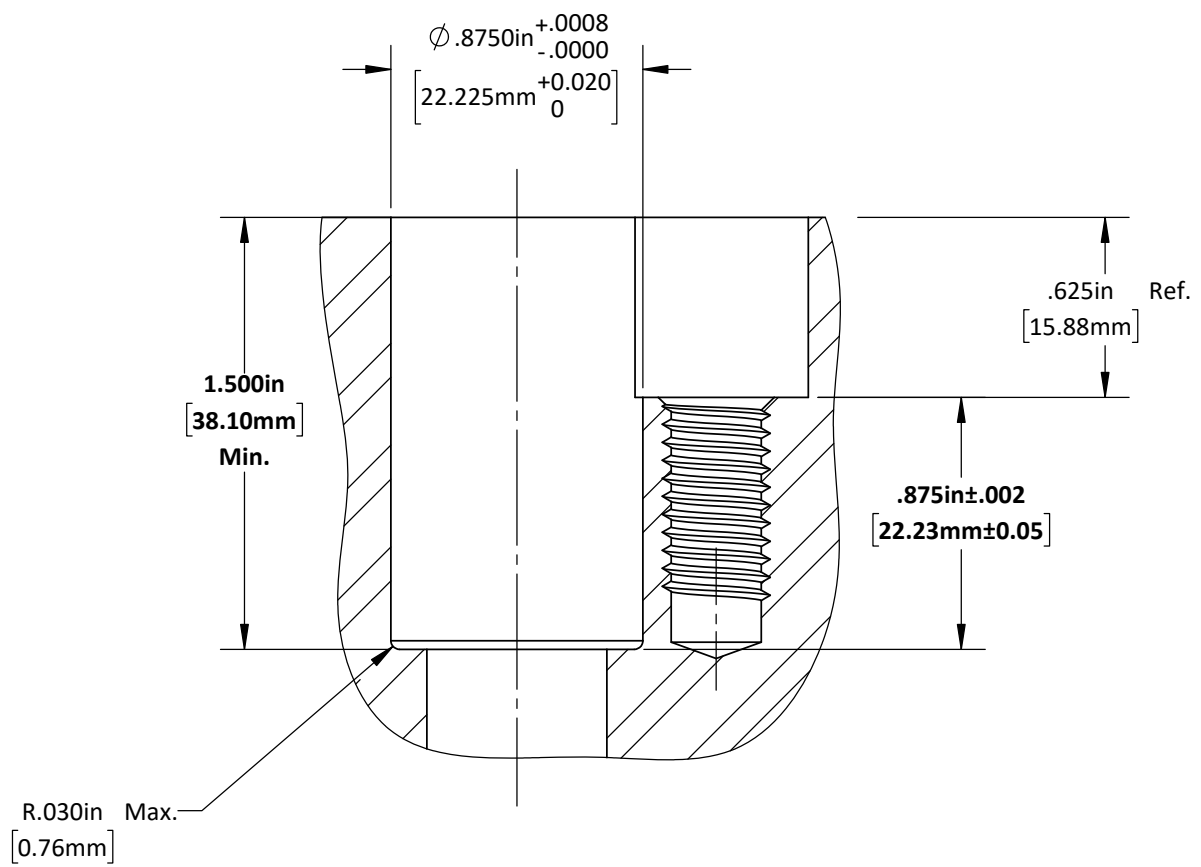


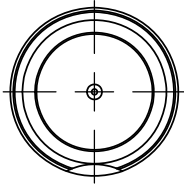
Do Not Slot Fastener Holes
Slotting the Fastener Pocket
Reduces Support to the Pilot Body



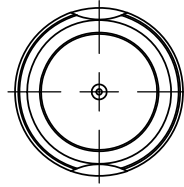
SECTION A-A

DO NOT SCALE DRAWING	REV 1
This product may be covered by one or more patents or patent applications. See http://www.standardlifters.com/patents.html for details.	

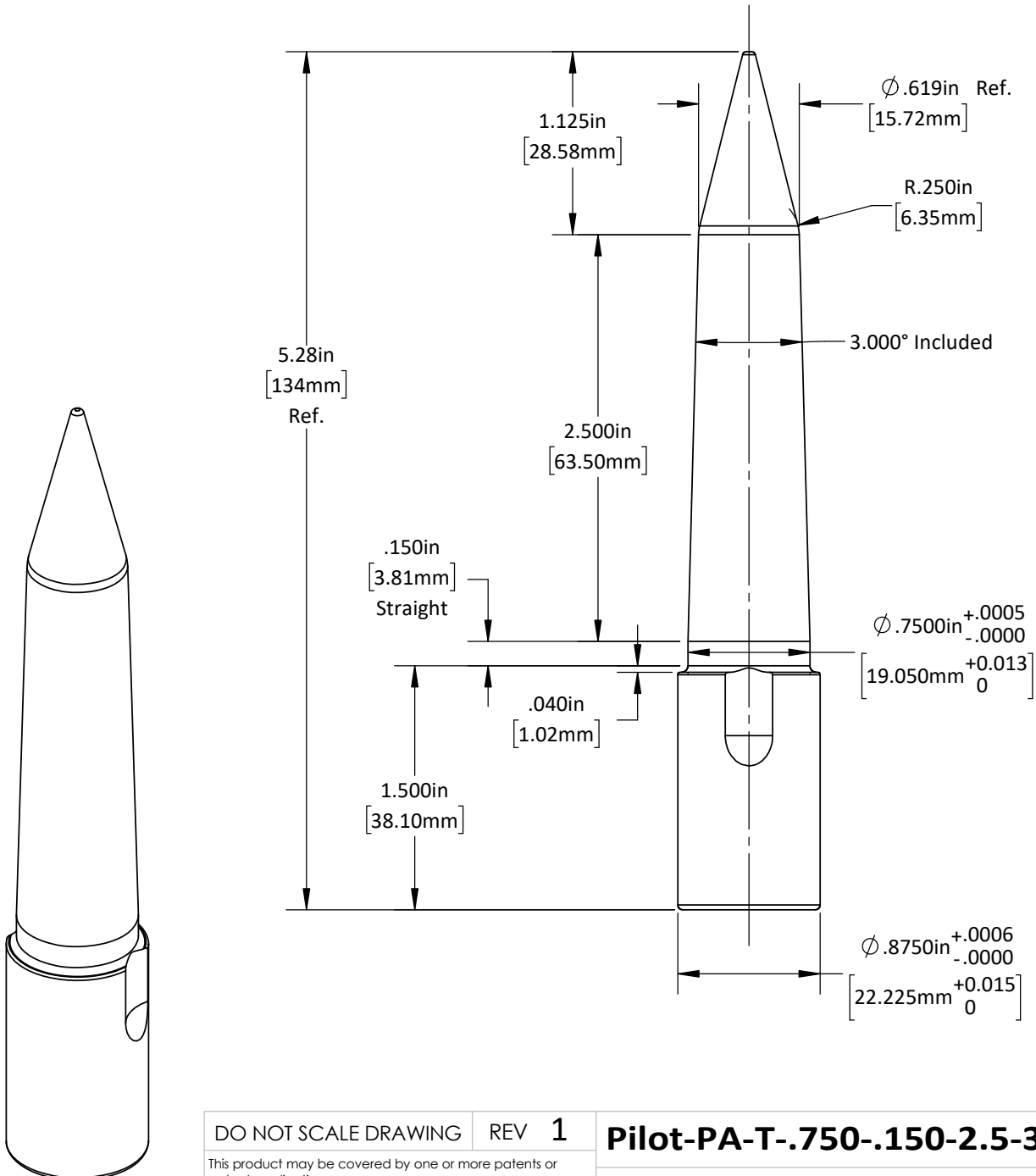
Pilot-PA-T-.750-.150-F-Machining
STANDARD LIFTERS INC



1 Hold Down
PA-T-.750-.150-2.5-3-A-F₁



2 Hold Downs
PA-T-.750-.150-2.5-3-A-F₂



DO NOT SCALE DRAWING REV 1
 This product may be covered by one or more patents or patent applications.
 See <http://www.standardlifters.com/patents.html> for details.

Pilot-PA-T-.750-.150-2.5-3-A-F₁ / F₂
STANDARD LIFTERS INC