

$\varnothing .50\text{in}$ Drill Thru
[12.7mm]

.630in
[16mm]

A

A

3/8-16 Tap

$\varnothing .640\text{in}\pm.010$
[16.26mm \pm 0.25]

Do Not Slot Fastener Holes
Slotting the Fastener Pocket
Reduces Support to the Pilot Body

$\varnothing .750\text{in}^{+.0008}_{-.0000}$
[19.050mm $^{+0.020}_0$]

1.250in
[31.75mm]
Min.

.625in Ref.
[15.88mm]

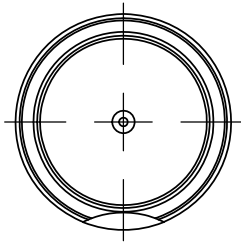
.625in $\pm.002$
[15.88mm \pm 0.05]

R.030in Max.
[0.76mm]

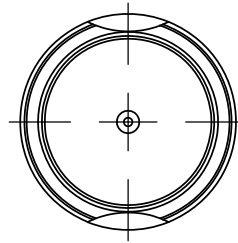
SECTION A-A

DO NOT SCALE DRAWING REV 1
This product may be covered by one or more patents or patent applications.
See <http://www.standardlifters.com/patents.html> for details.

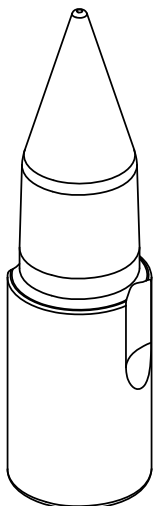
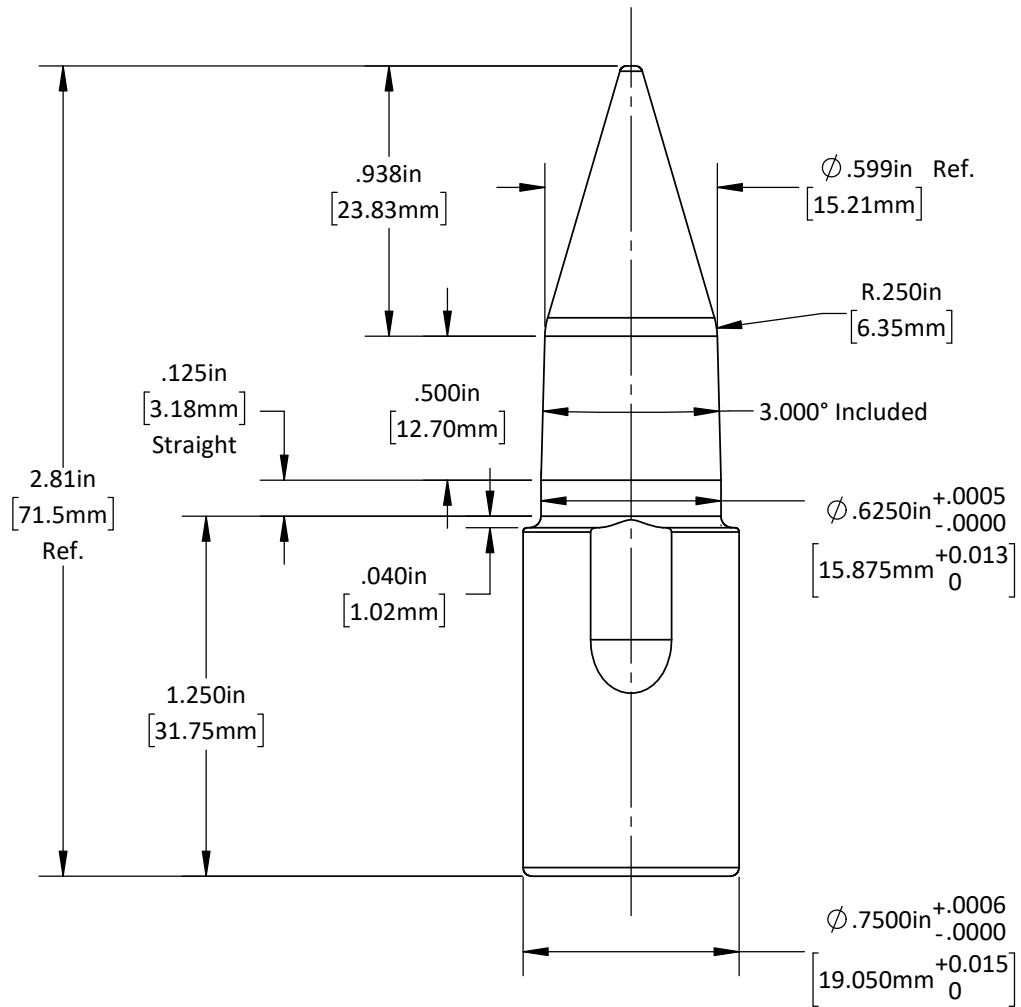
Pilot-PA-T-.625-.125-F-Machining
STANDARD LIFTERS INC



1 Hold Down
PA-T-.625-.125-0.5-3-A-F₁



2 Hold Downs
PA-T-.625-.125-0.5-3-A-F₂



DO NOT SCALE DRAWING

REV 1

Pilot-PA-T-.625-.125-0.5-3-A-F₁ / F₂

This product may be covered by one or more patents or patent applications.
 See <http://www.standardlifters.com/patents.html> for details.

STANDARD LIFTERS INC