

SECTION A-A

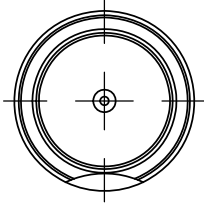
DO NOT SCALE DRAWING

REV 1

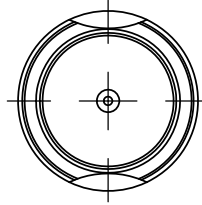
This product may be covered by one or more patents or patent applications. See <http://www.standardlifters.com/patents.html> for details.

Pilot-PA-T-.500-.100-F-Machining

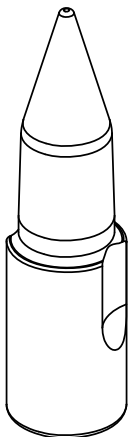
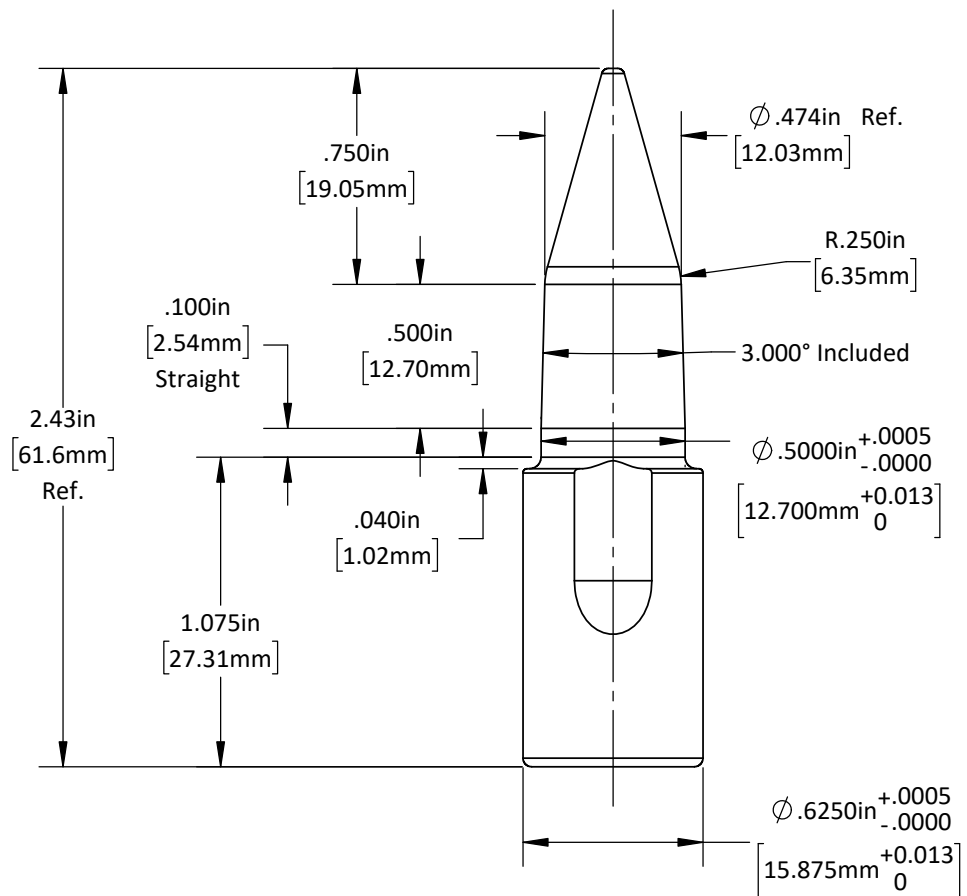
STANDARD LIFTERS INC



1 Hold Down
PA-T-.500-.100-0.5-3-A-F₁



2 Hold Downs
PA-T-.500-.100-0.5-3-A-F₂



DO NOT SCALE DRAWING

REV 1

Pilot-PA-T-.500-.100-0.5-3-A-F1 / F2

This product may be covered by one or more patents or patent applications.
 See <http://www.standardlifters.com/patents.html> for details.

STANDARD LIFTERS INC