

DO NOT SCALE DRAWING

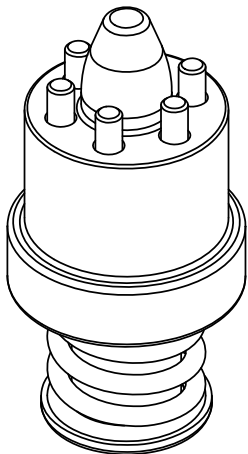
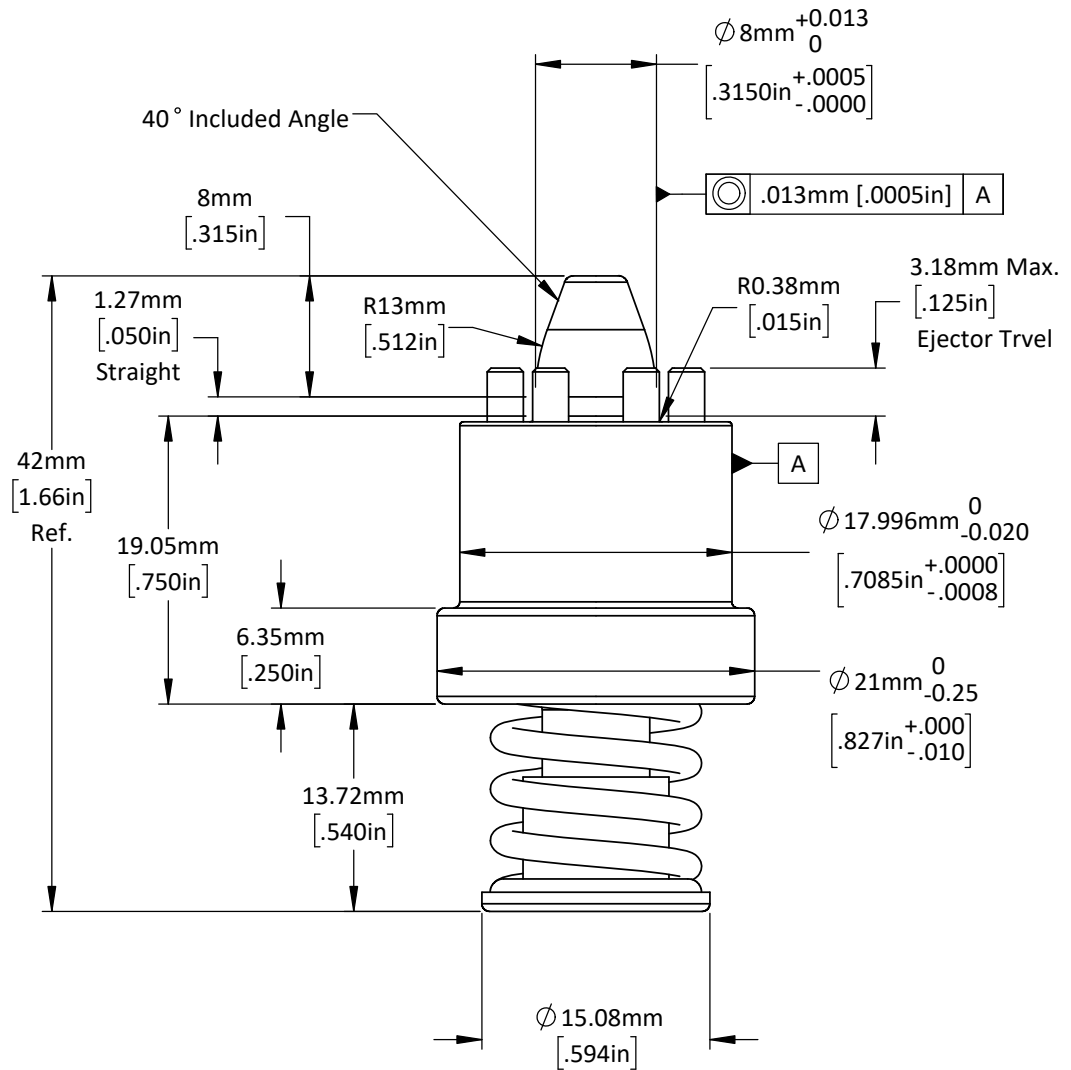
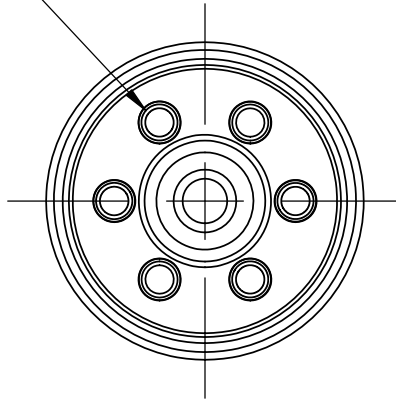
REV 1

Pilot-PA-8mm-1.27mm-S-P-W-Machining

This product may be covered by one or more patents or patent applications. See <http://www.standardlifters.com/patents.html> for details.

STANDARD LIFTERS INC

\varnothing 2.4mm [.094in] Ejector Pin
 (6) Equally Spaced on a
 \varnothing 12mm [.472in] Bolt Circle



DO NOT SCALE DRAWING REV 1

This product may be covered by one or more patents or
 patent applications.
 See <http://www.standardlifters.com/patents.html> for details.

Pilot-PA-8mm-1.27mm-S-P-W

STANDARD LIFTERS INC