

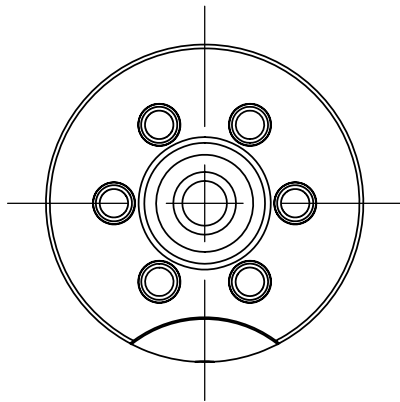
DO NOT SCALE DRAWING

REV 1

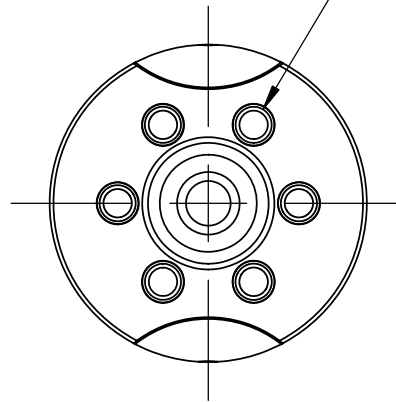
**Pilot-PA-8mm-1.27mm-L-P-F-Machining**

This product may be covered by one or more patents or patent applications.  
See <http://www.standardlifters.com/patents.html> for details.

**STANDARD LIFTERS INC**

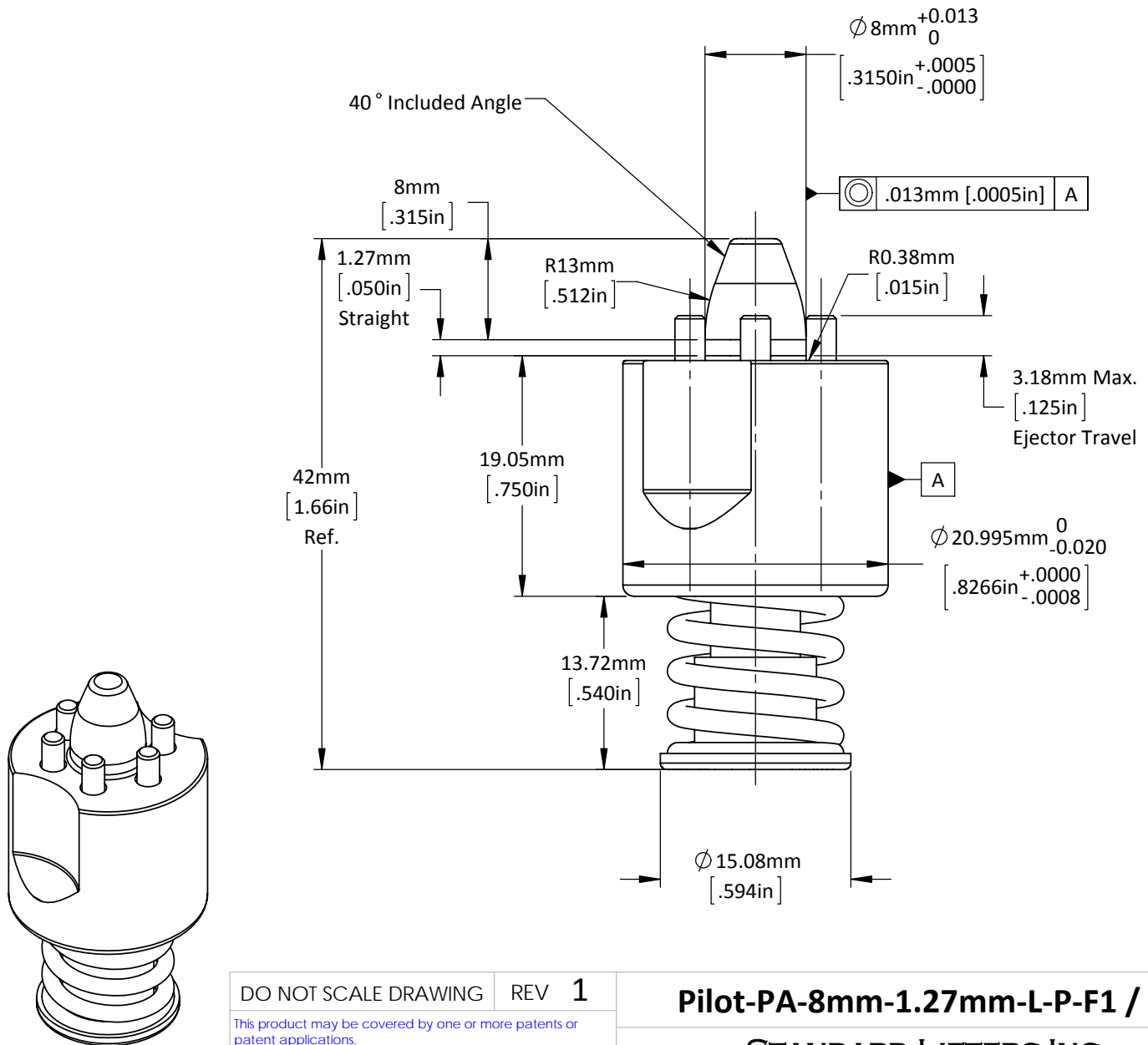


**1 Hold Down**  
**PA-8mm-1.27mm-L-P-F1**



**2 Hold Downs**  
**PA-8mm-1.27mm-L-P-F2**

Ø 2.4mm [.094in] Ejector Pin  
(6) Equally Spaced on a  
Ø 12mm [.472in] Bolt Circle



DO NOT SCALE DRAWING    REV 1

This product may be covered by one or more patents or patent applications.  
See <http://www.standardlifters.com/patents.html> for details.

**Pilot-PA-8mm-1.27mm-L-P-F1 / F2**

**STANDARD LIFTERS INC**