

SECTION A-A

DO NOT SCALE DRAWING

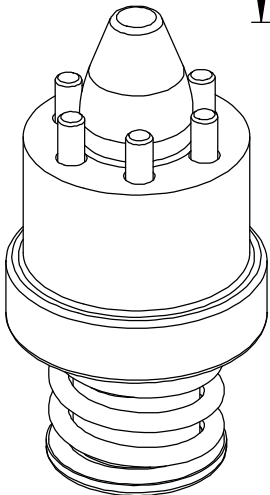
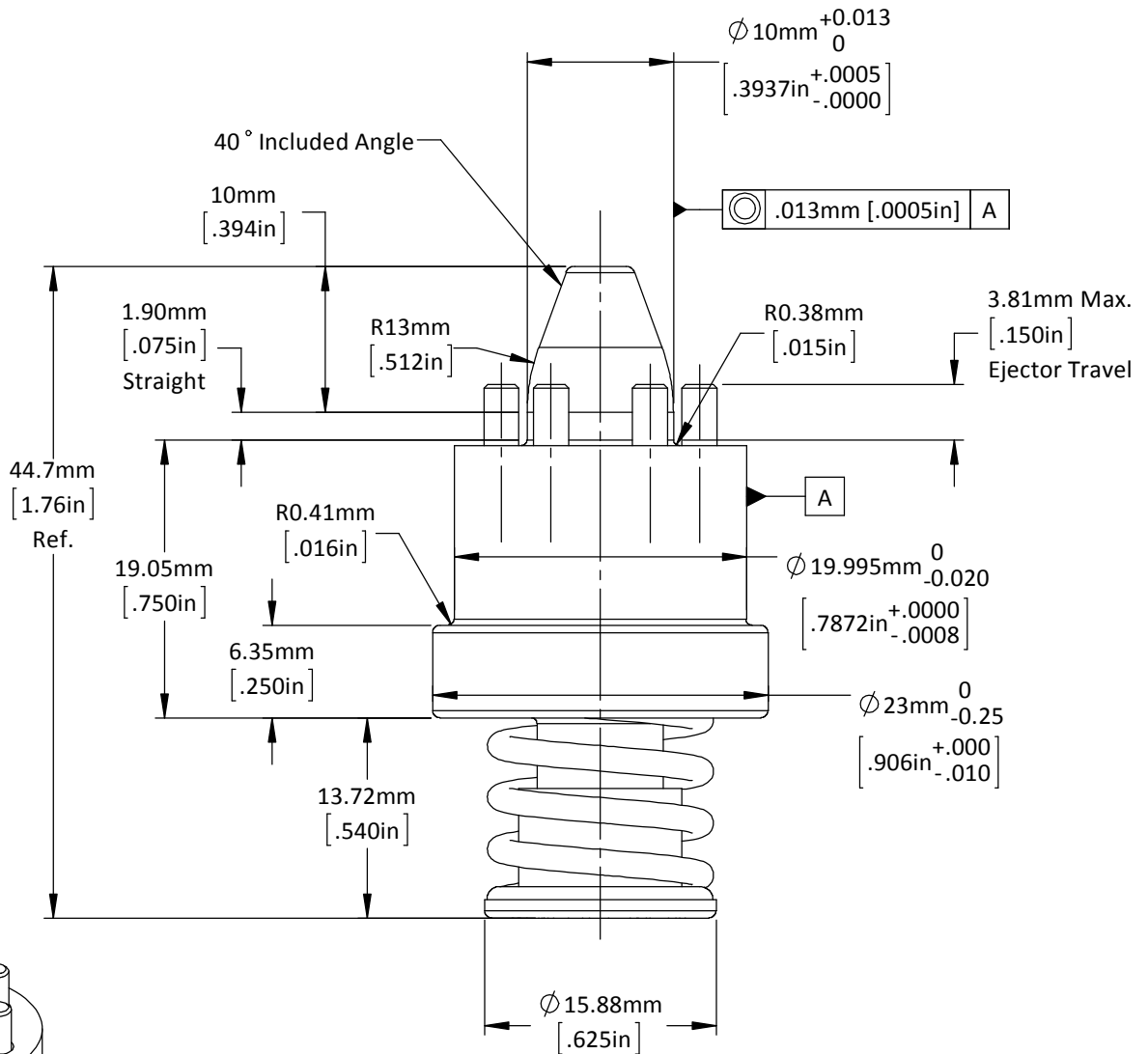
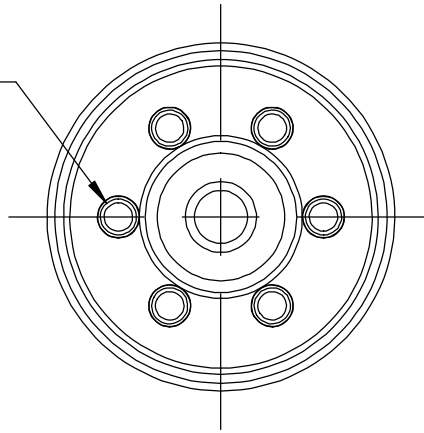
REV 3

Pilot-PA-10mm-1.9mm-S-P-W-Machining

This product may be covered by one or more patents or patent applications.
 See <http://www.standardlifters.com/patents.html> for details.

STANDARD LIFTERS INC

\varnothing 2.4mm [.094in] Ejector Pin
 (6) Equally Spaced on a
 \varnothing 13.56mm [.534in] Bolt Circle



DO NOT SCALE DRAWING REV 2

This product may be covered by one or more patents or patent applications.
 See <http://www.standardlifters.com/patents.html> for details.

Pilot-PA-10mm-1.9mm-S-P-W

STANDARD LIFTERS INC