

SECTION A-A

DO NOT SCALE DRAWING

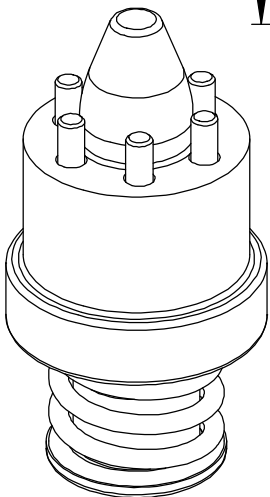
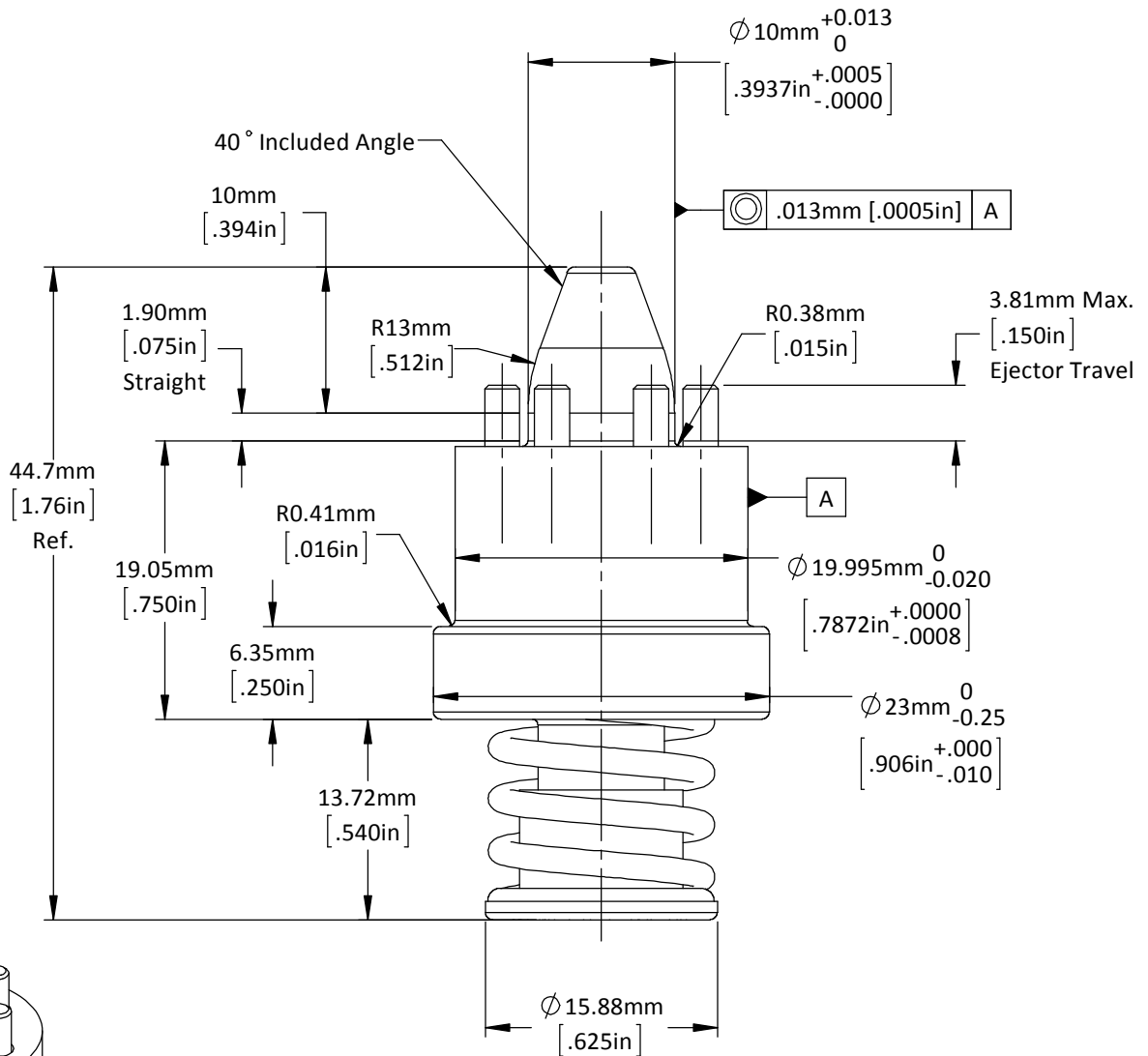
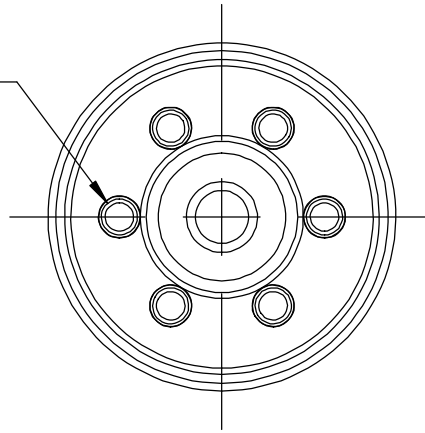
REV 3

**Pilot-PA-10mm-1.9mm-L-P-W-Machining**

This product may be covered by one or more patents or patent applications.  
 See <http://www.standardlifters.com/patents.html> for details.

STANDARD LIFTERS INC

$\varnothing$  2.4mm [.094in] Ejector Pin  
 (6) Equally Spaced on a  
 $\varnothing$  13.56mm [.534in] Bolt Circle



DO NOT SCALE DRAWING    REV 2

This product may be covered by one or more patents or patent applications.  
 See <http://www.standardlifters.com/patents.html> for details.

**Pilot-PA-10mm-1.9mm-L-P-W**

STANDARD LIFTERS INC