

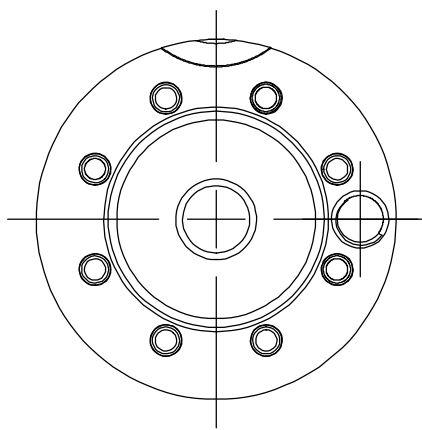
DO NOT SCALE DRAWING

REV 6

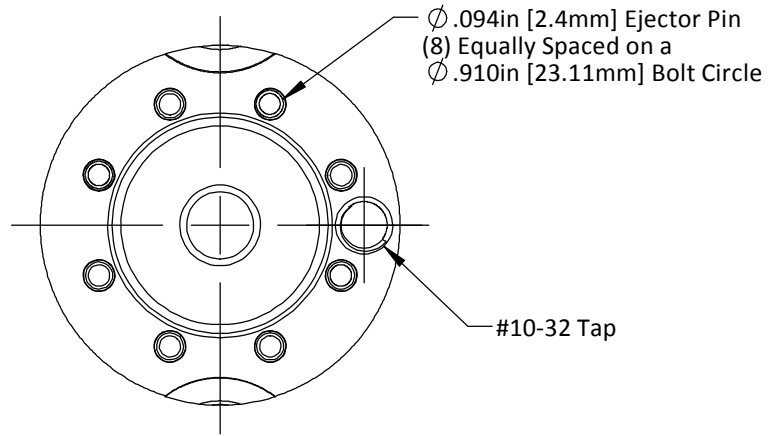
This product may be covered by one or more patents or
 patent applications.
 See <http://www.standardlifters.com/patents.html> for details.

Pilot-PA-.750-.150-S-P-F-Machining

STANDARD LIFTERS INC



1 Hold Down
PA-.750-.150-S-P-F1



2 Hold Downs
PA-.750-.150-S-P-F2

