

SECTION A-A

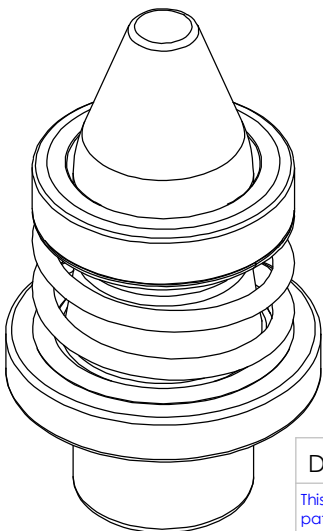
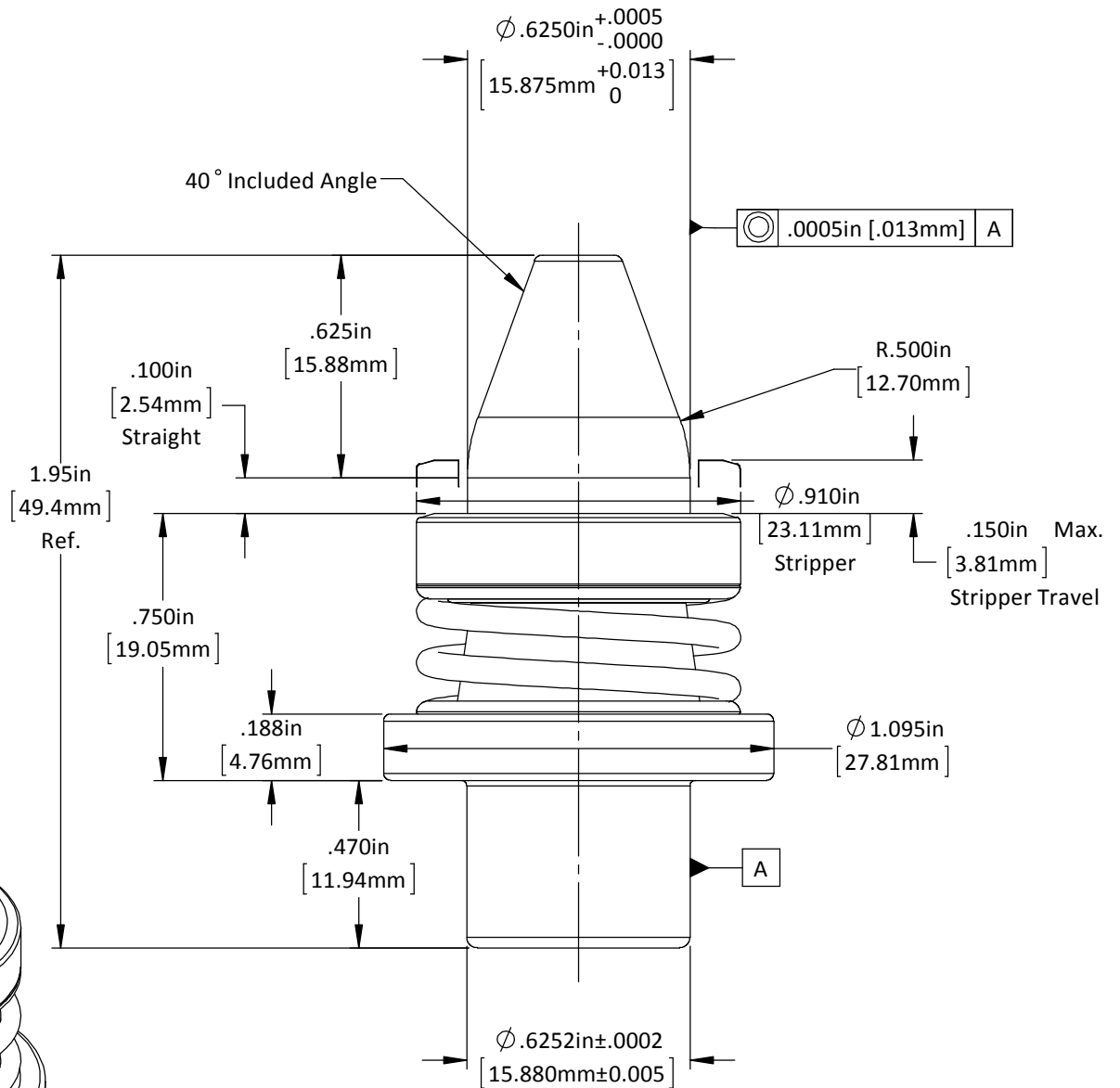
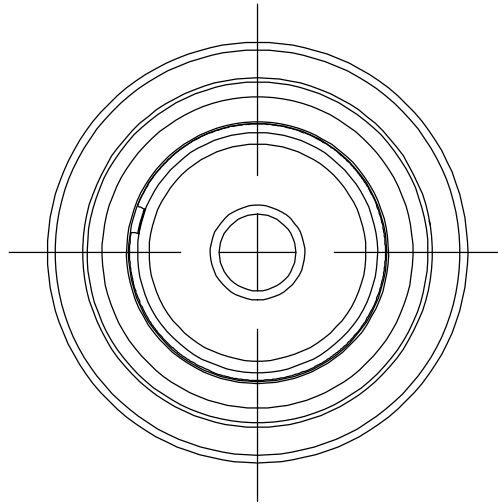
DO NOT SCALE DRAWING

REV 2

This product may be covered by one or more patents or patent applications.  
See <http://www.standardlifters.com/patents.html> for details.

**Pilot-PA-.625-.100-S-R-W-Machining**

STANDARD LIFTERS INC



DO NOT SCALE DRAWING    REV 1

This product may be covered by one or more patents or patent applications.  
 See <http://www.standardlifters.com/patents.html> for details.

**Pilot-PA-.625-.100-S-R-W**

STANDARD LIFTERS INC