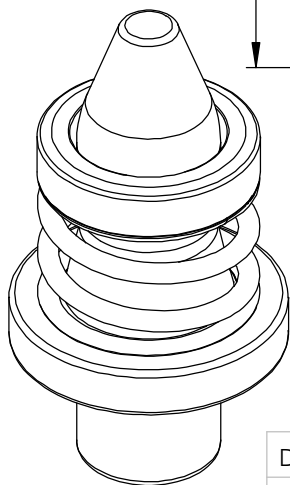
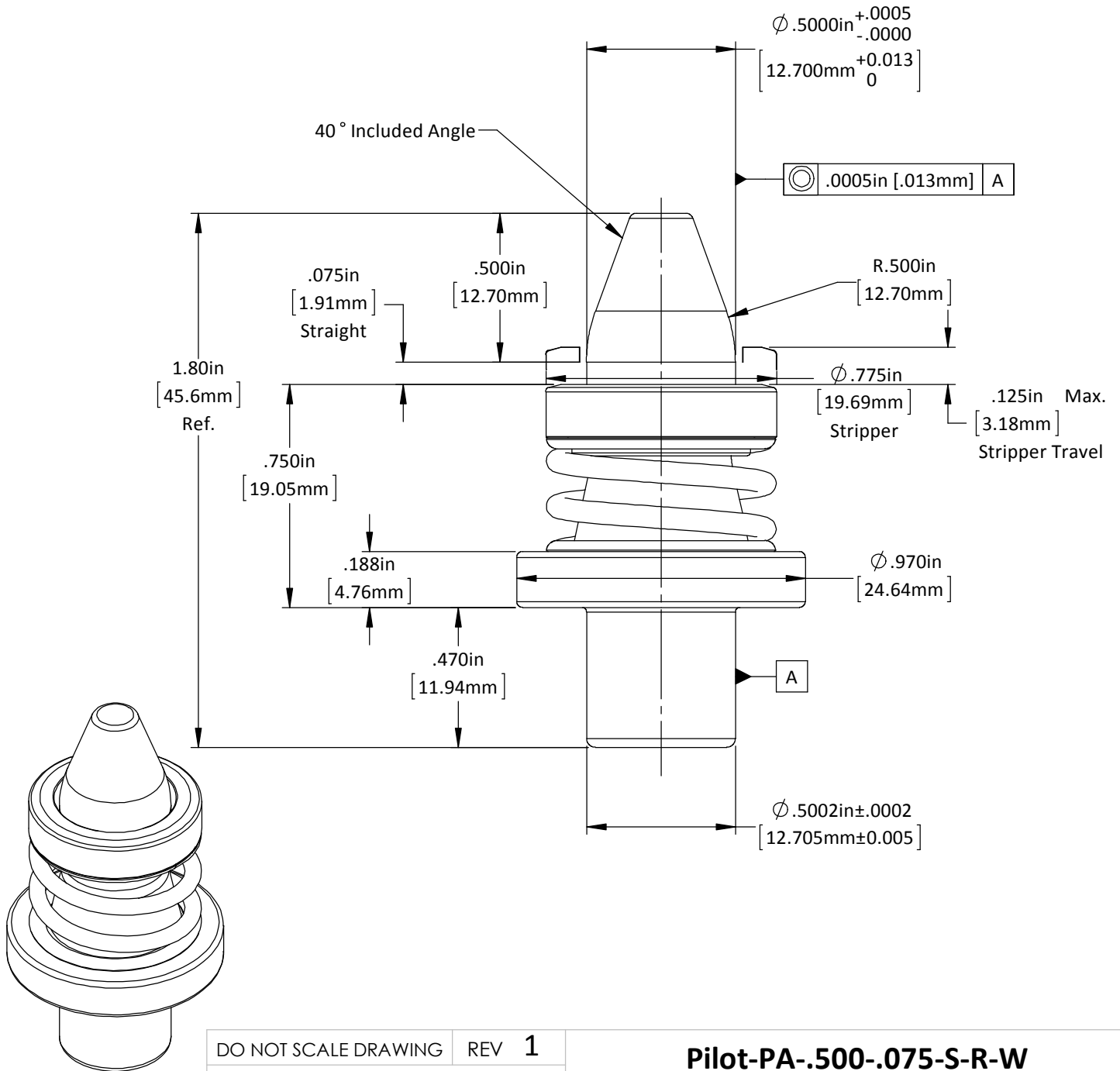
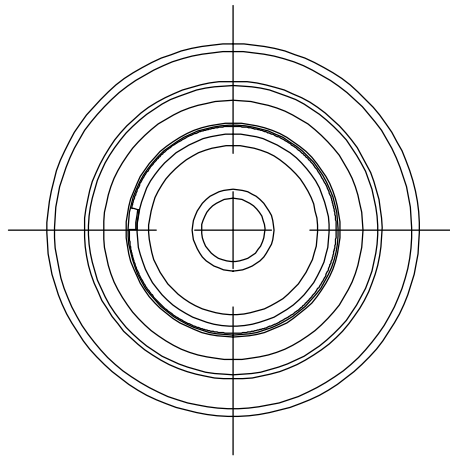


SECTION A-A

DO NOT SCALE DRAWING	REV 2
This product may be covered by one or more patents or patent applications. See http://www.standardlifters.com/patents.html for details.	

Pilot-PA-.500-.075-S-R-W-Machining

STANDARD LIFTERS INC



DO NOT SCALE DRAWING | REV 1

This product may be covered by one or more patents or patent applications. See <http://www.standardlifters.com/patents.html> for details.

Pilot-PA-.500-.075-S-R-W

STANDARD LIFTERS INC