

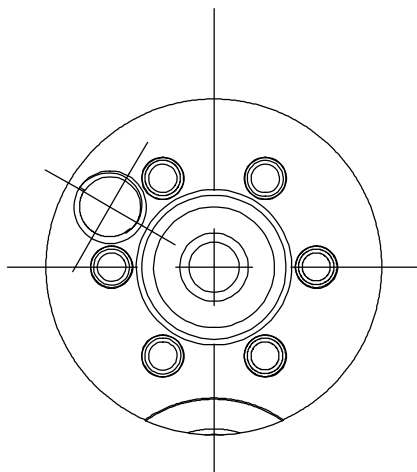
DO NOT SCALE DRAWING

REV 6

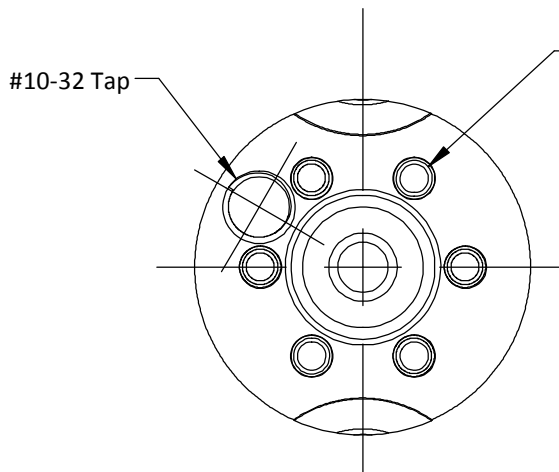
This product may be covered by one or more patents or
 patent applications.
 See <http://www.standardlifters.com/patents.html> for details.

Pilot-PA-.375-.075-L-P-F-Machining

Standard Lifters Inc



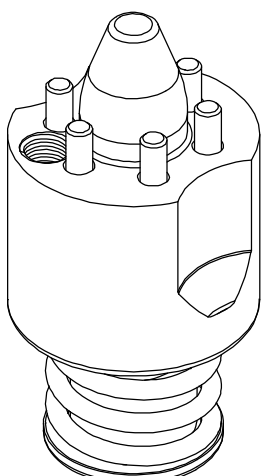
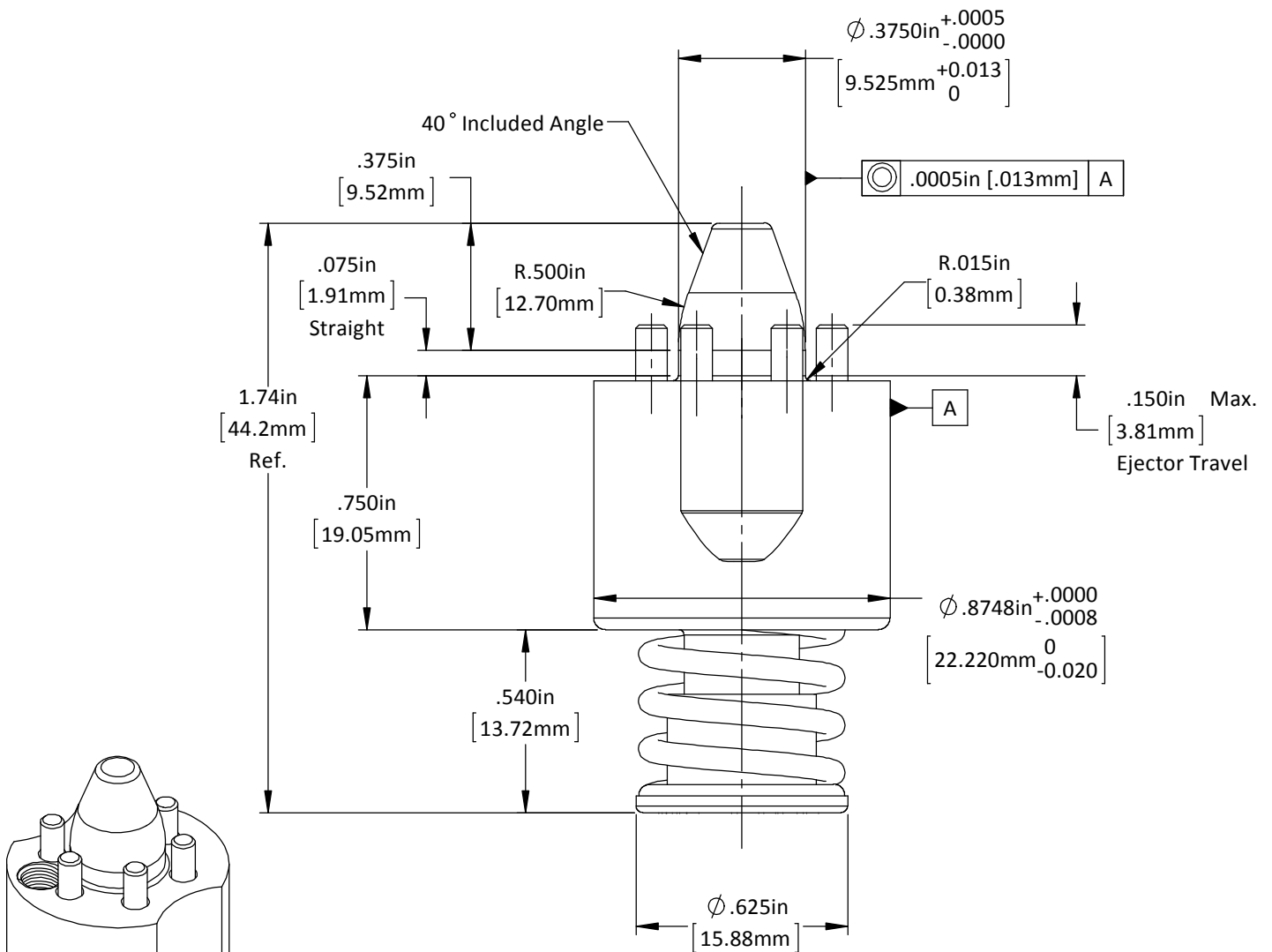
1 Hold Down
PA-.375-.075-L-P-F1



2 Hold Downs
PA-.375-.075-L-P-F2

#10-32 Tap

Ø .094in [2.4mm] Ejector Pin
(6) Equally Spaced on a
Ø .534in [13.56mm] Bolt Circle



DO NOT SCALE DRAWING REV 5
 This product may be covered by one or more patents or patent applications.
 See <http://www.standardlifters.com/patents.html> for details.

Pilot-PA-.375-.075-L-P-F1 / F2
Standard Lifters Inc