

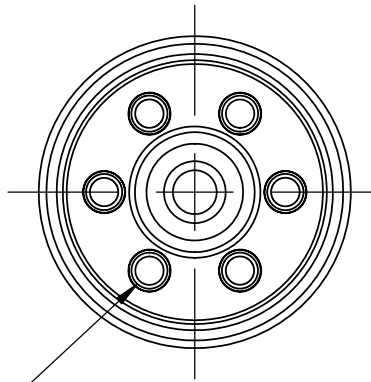
DO NOT SCALE DRAWING

REV 1

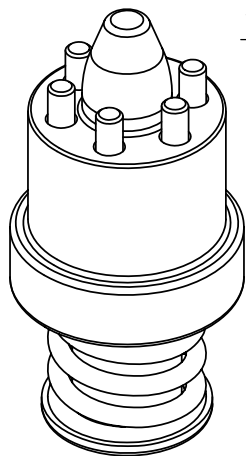
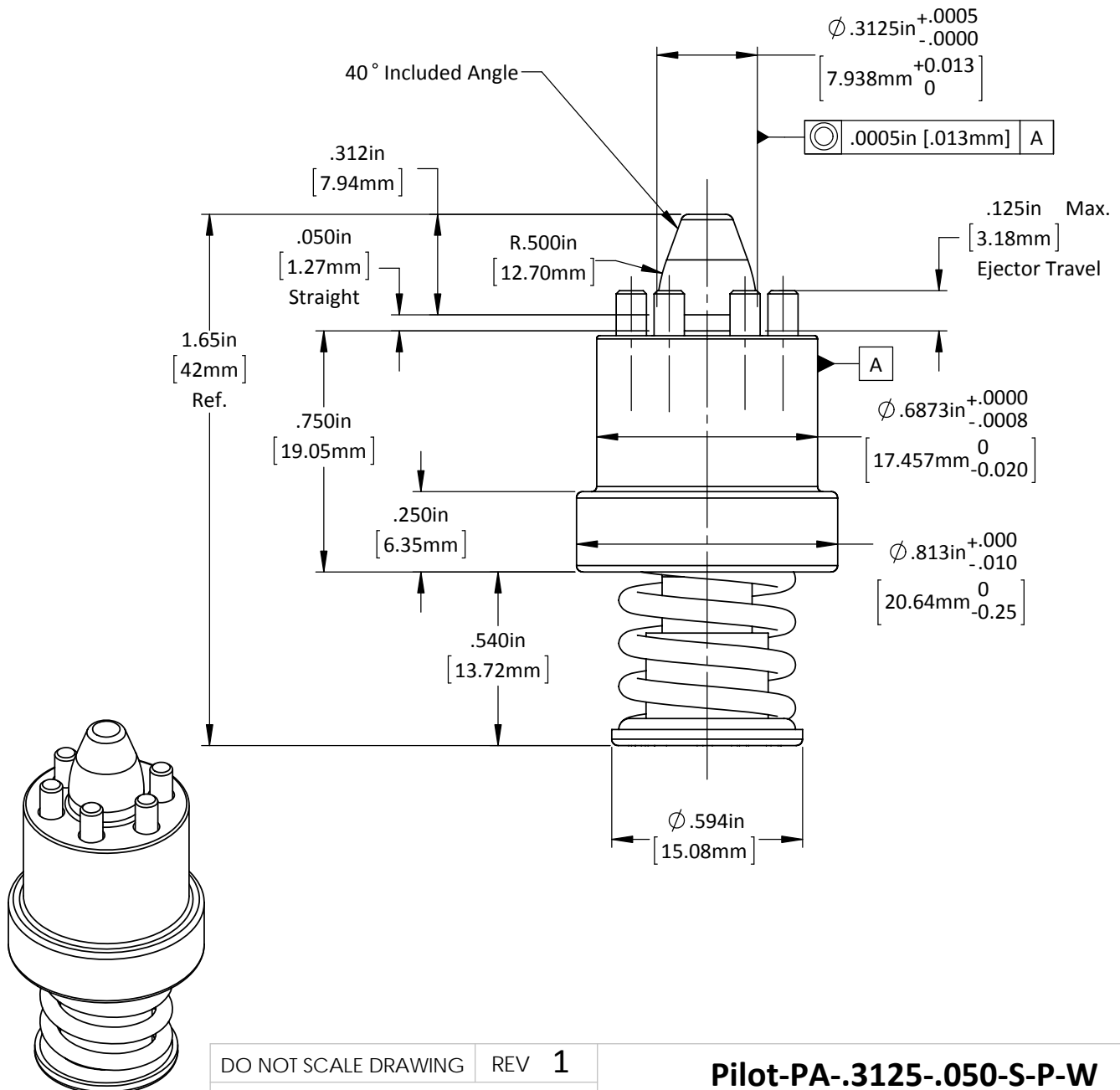
Pilot-PA-.3125-.050-S-P-W-Machining

This product may be covered by one or more patents or patent applications.
 See <http://www.standardlifters.com/patents.html> for details.

STANDARD LIFTERS INC



$\varnothing .094\text{in}$ [2.4mm] Ejector Pin
 (6) Equally Spaced on a
 $\varnothing .472\text{in}$ [12mm] Bolt Circle



DO NOT SCALE DRAWING REV 1

This product may be covered by one or more patents or patent applications.
 See <http://www.standardlifters.com/patents.html> for details.

Pilot-PA-.3125-.050-S-P-W

STANDARD LIFTERS INC