

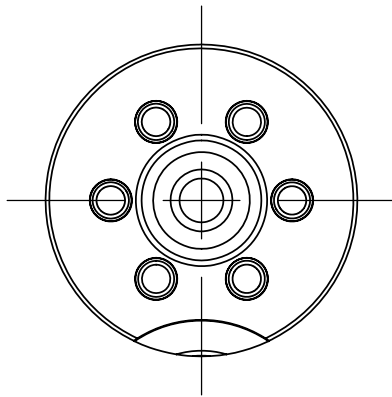
DO NOT SCALE DRAWING

REV 1

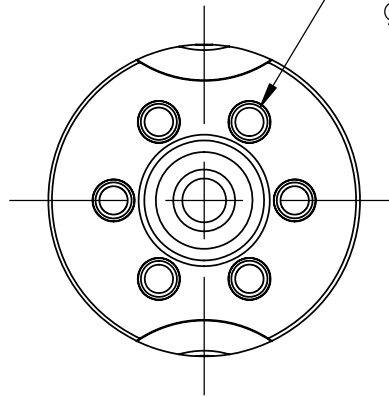
This product may be covered by one or more patents or
 patent applications.
 See <http://www.standardlifters.com/patents.html> for details.

Pilot-PA-.3125-.050-L-P-F-Machining

STANDARD LIFTERS INC

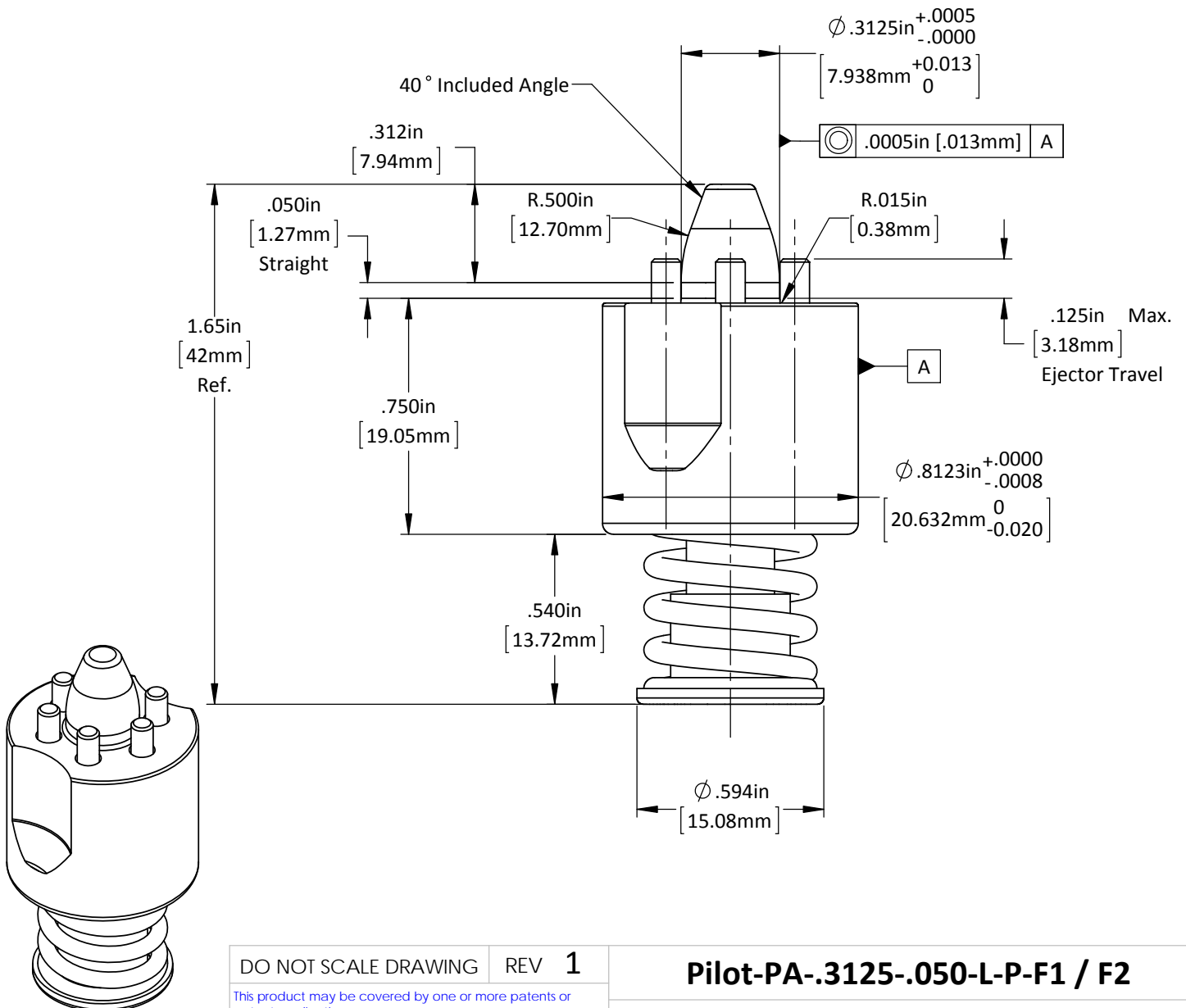


1 Hold Down
PA-.3125-.050-L-P-F1



2 Hold Downs
PA-.3125-.050-L-P-F2

$\varnothing .094\text{in}$ [2.4mm] Ejector Pin
 (6) Equally Spaced on a
 $\varnothing .472\text{in}$ [12mm] Bolt Circle



DO NOT SCALE DRAWING REV 1

This product may be covered by one or more patents or patent applications.
 See <http://www.standardlifters.com/patents.html> for details.

Pilot-PA-.3125-.050-L-P-F1 / F2

STANDARD LIFTERS INC