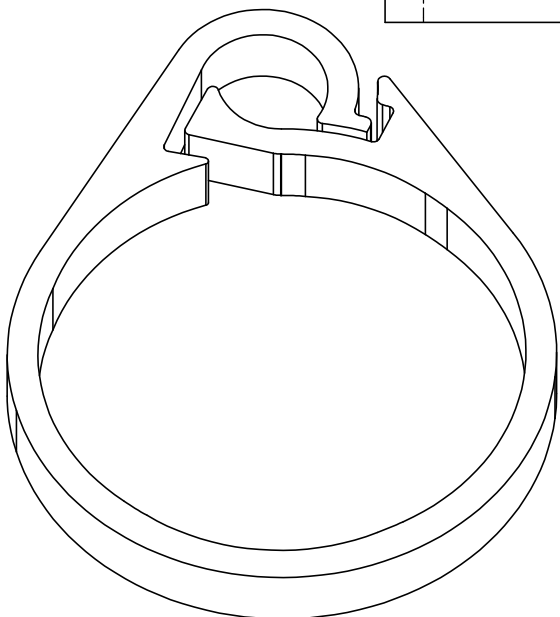
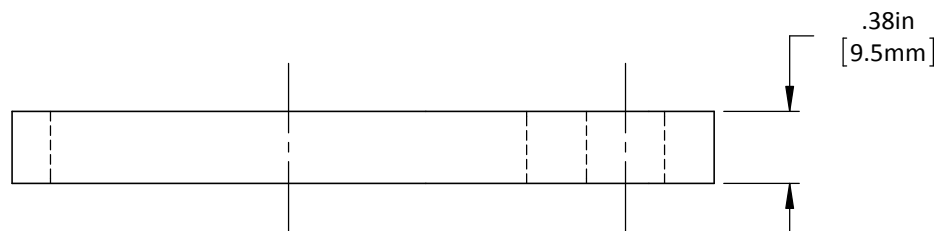
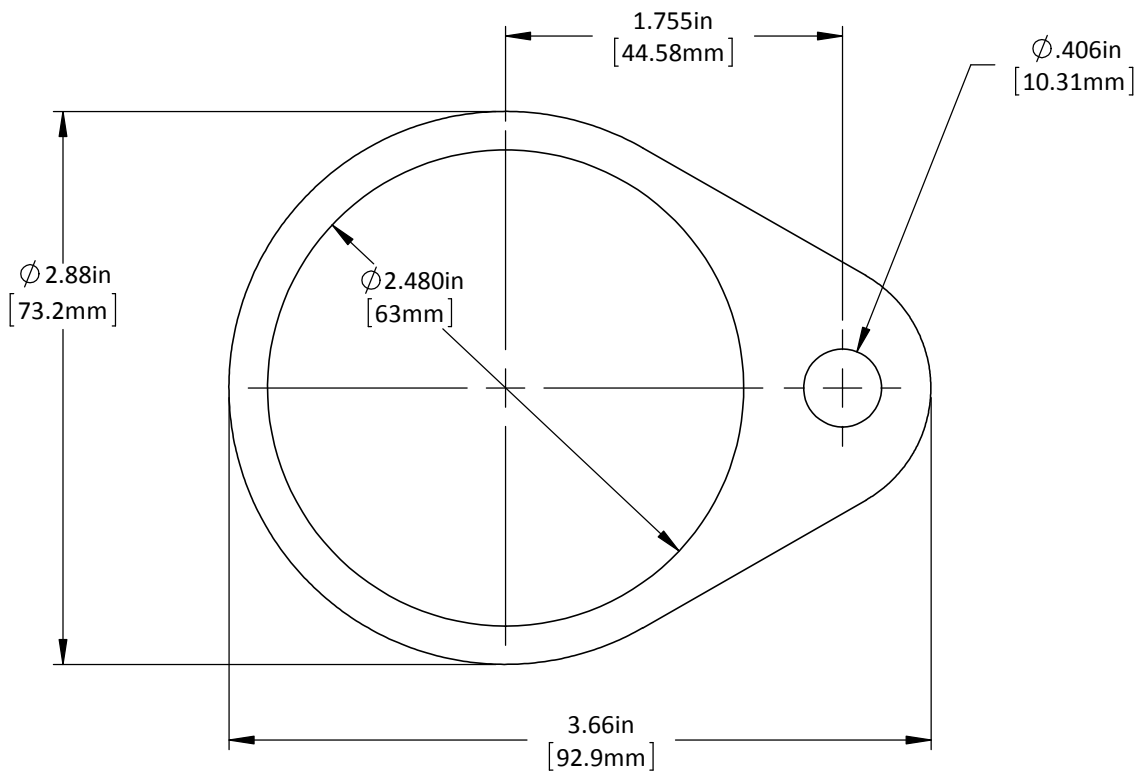


*Recommended Minimum Hole Size to be
Cylinder Body Diameter +1mm [.04"]

DO NOT SCALE DRAWING	REV 1
This product may be covered by one or more patents or patent applications. See http://www.standardlifters.com/patents.html for details.	

Gas Spring Clamp-GSC-63-A-Machining
STANDARD LIFTERS INC



DO NOT SCALE DRAWING REV 1

This product may be covered by one or more patents or patent applications.
 See <http://www.standardlifters.com/patents.html> for details.

Gas Spring Clamp-GSC-63-A

STANDARD LIFTERS INC