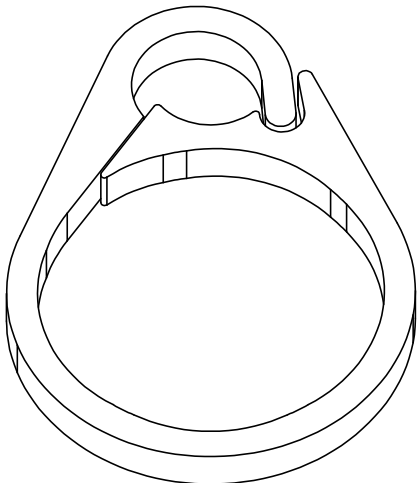
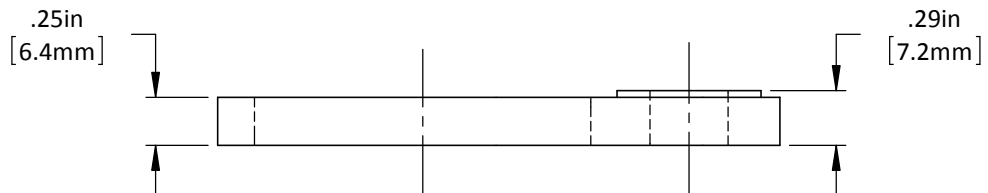
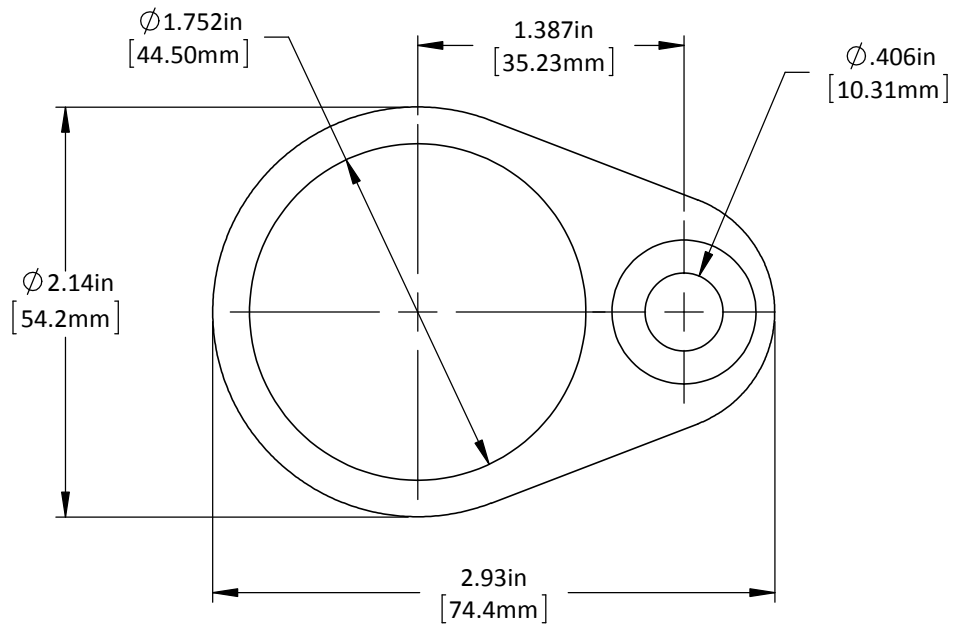


\*Recommended Minimum Hole Size to be  
Cylinder Body Diameter +1mm [.04"]

DO NOT SCALE DRAWING	REV 1	<b>Gas Spring Clamp-GSC-44.5-B-Machining</b>
This product may be covered by one or more patents or patent applications. See <a href="http://www.standardlifters.com/patents.html">http://www.standardlifters.com/patents.html</a> for details.		<b>STANDARD LIFTERS INC</b>



DO NOT SCALE DRAWING

REV 1

This product may be covered by one or more patents or patent applications.  
 See <http://www.standardlifters.com/patents.html> for details.

**Gas Spring Clamp-GSC-44.5-B**

**STANDARD LIFTERS INC**