

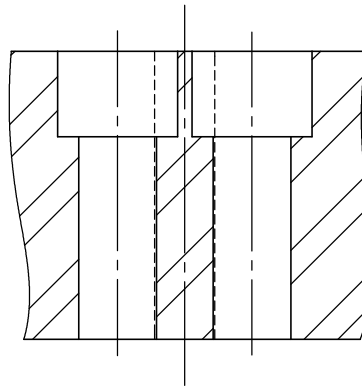
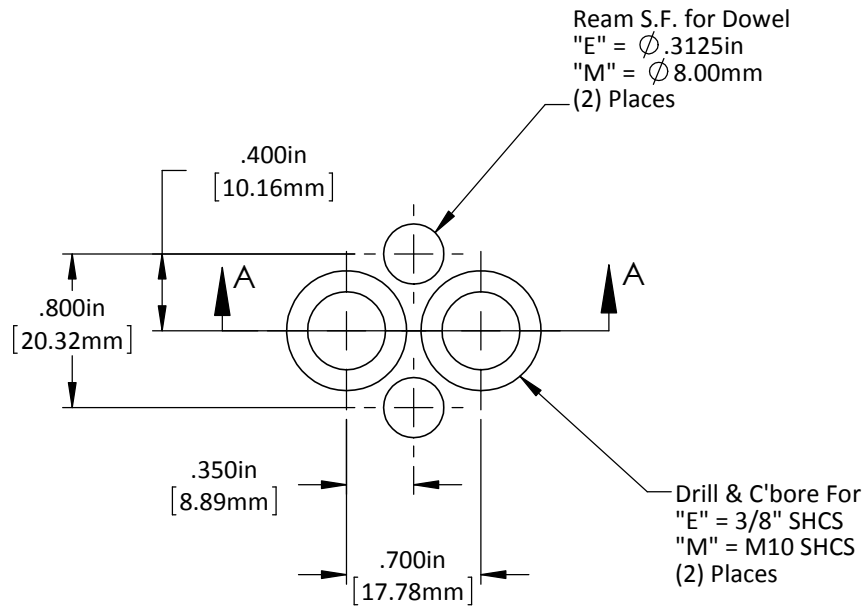
DO NOT SCALE DRAWING

REV 1

This product may be covered by one or more patents or patent applications.
 See <http://www.standardlifters.com/patents.html> for details.

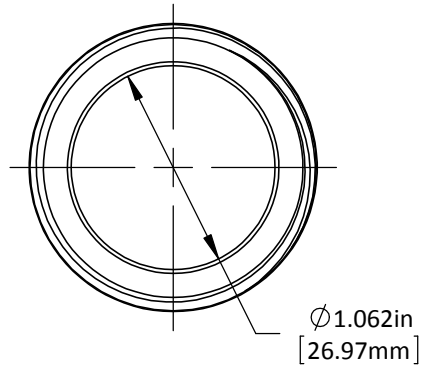
Guide Pin SL25

STANDARD LIFTERS INC

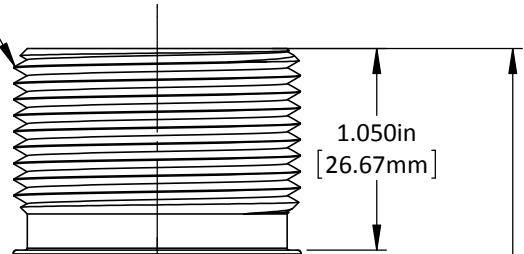


DO NOT SCALE DRAWING	REV 1
This product may be covered by one or more patents or patent applications. See http://www.standardlifters.com/patents.html for details.	

Guide Pin SL25-Machining
STANDARD LIFTERS INC

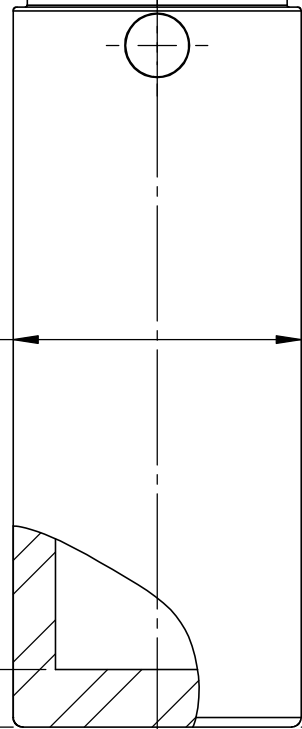


1 1/2"-12 Thread

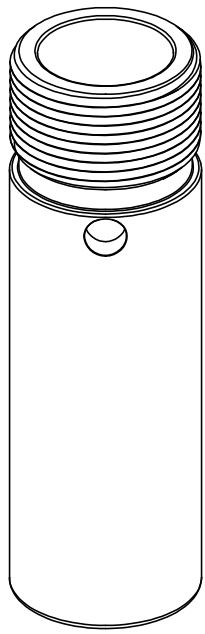


Spring Can
Overall Length
2.8" Min. - 12.3" Max.
.5" Increments

$\varnothing 1.500\text{in}$
[38.10mm]

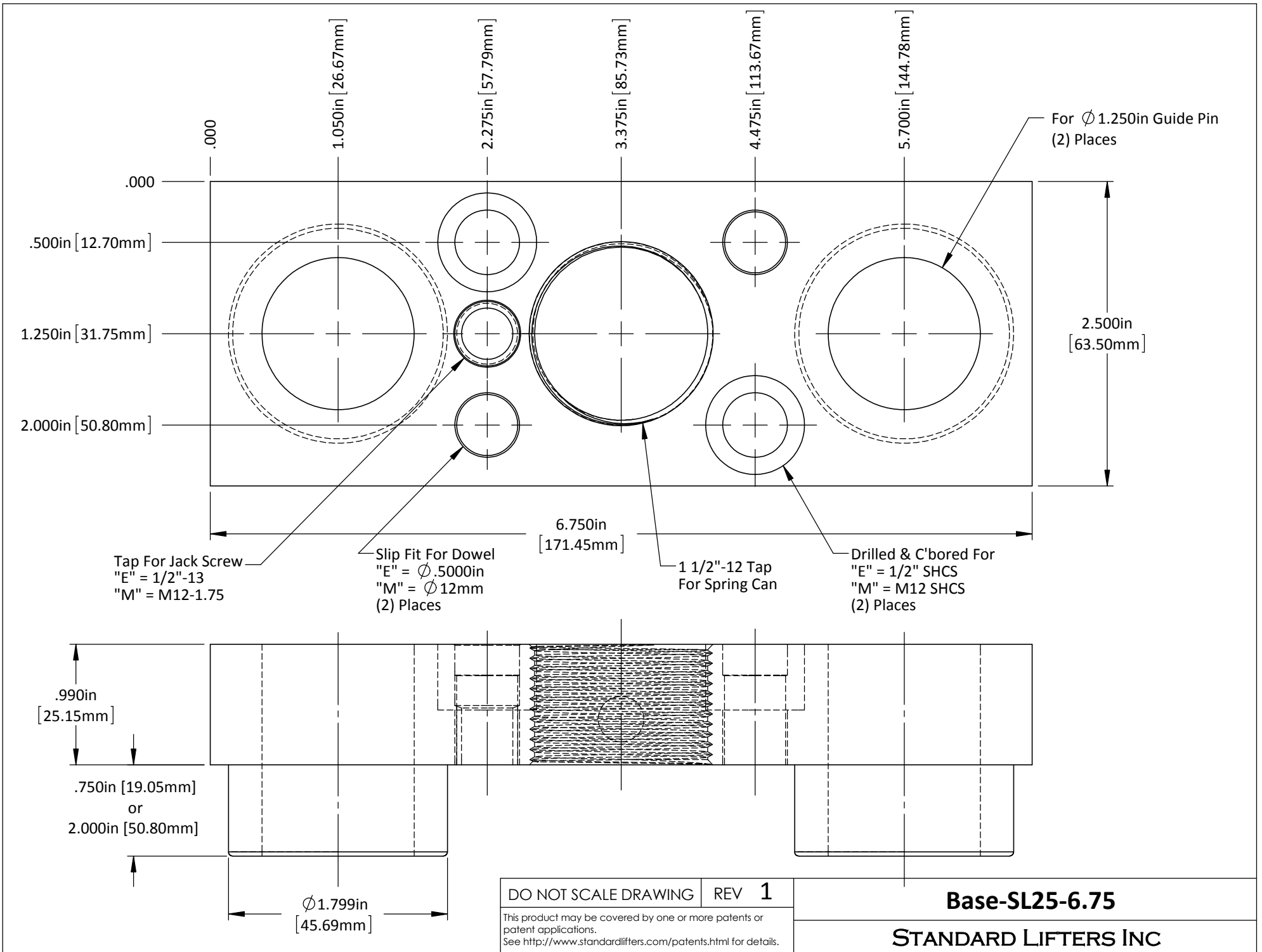


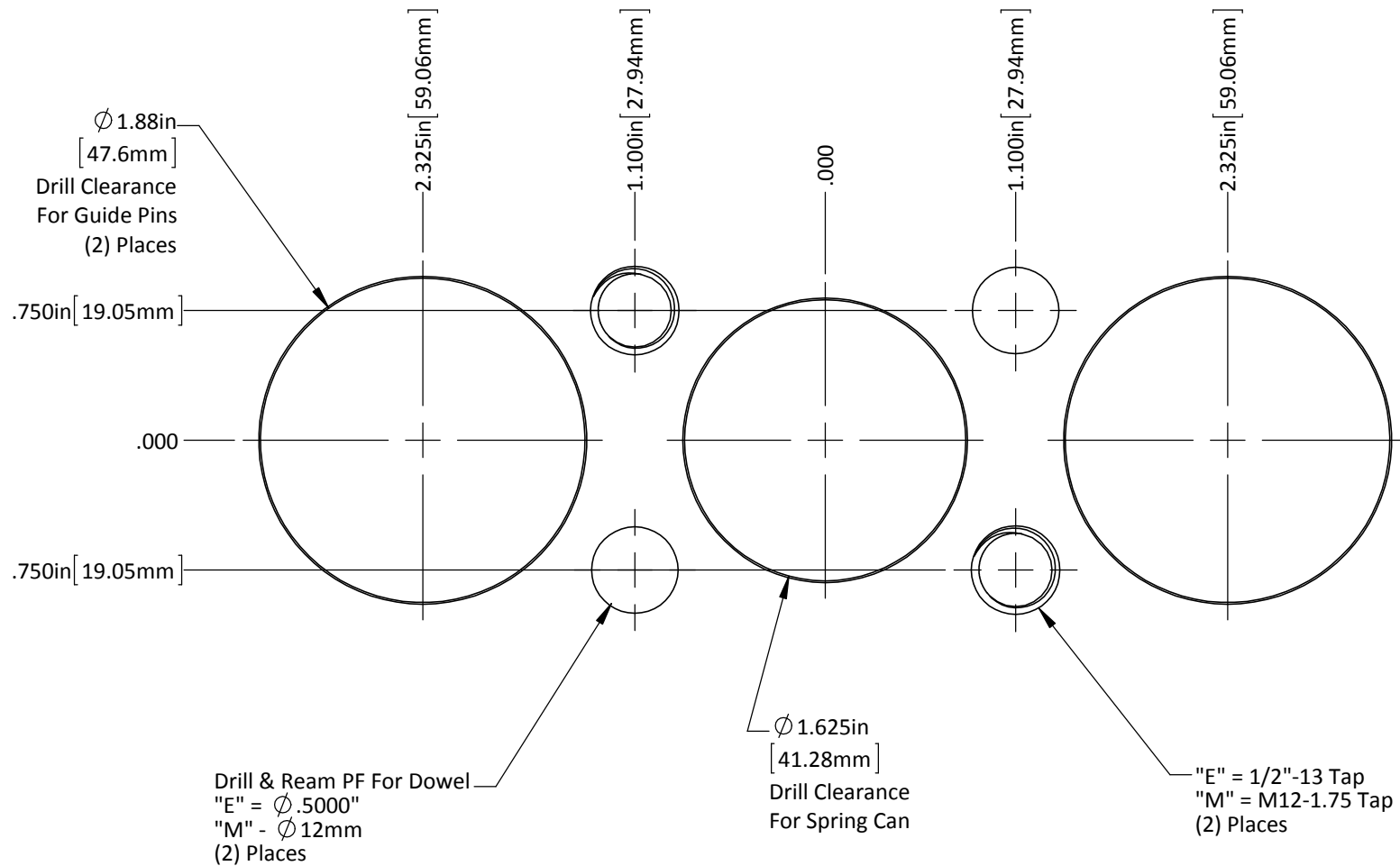
.300in
[7.62mm]



DO NOT SCALE DRAWING REV 1
 This product may be covered by one or more patents or patent applications.
 See <http://www.standardlifters.com/patents.html> for details.

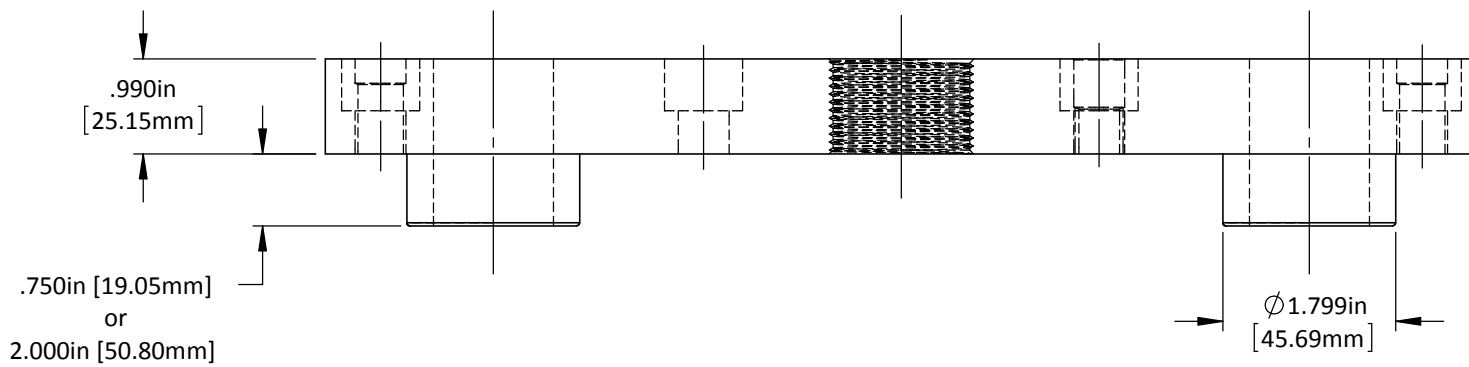
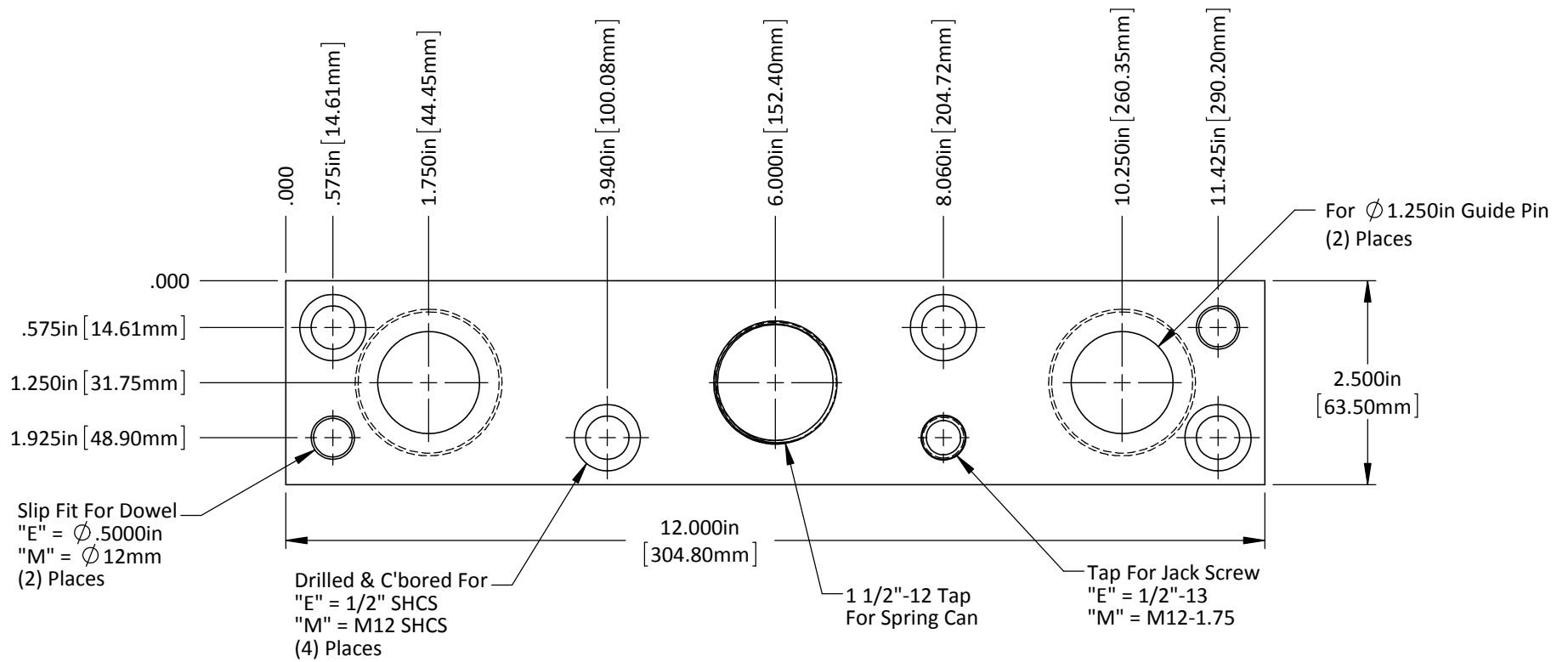
Spring Can-MSR100
STANDARD LIFTERS INC





DO NOT SCALE DRAWING	REV 1
This product may be covered by one or more patents or patent applications. See http://www.standardlifters.com/patents.html for details.	

Base-SL25-6.75-Machining
STANDARD LIFTERS INC



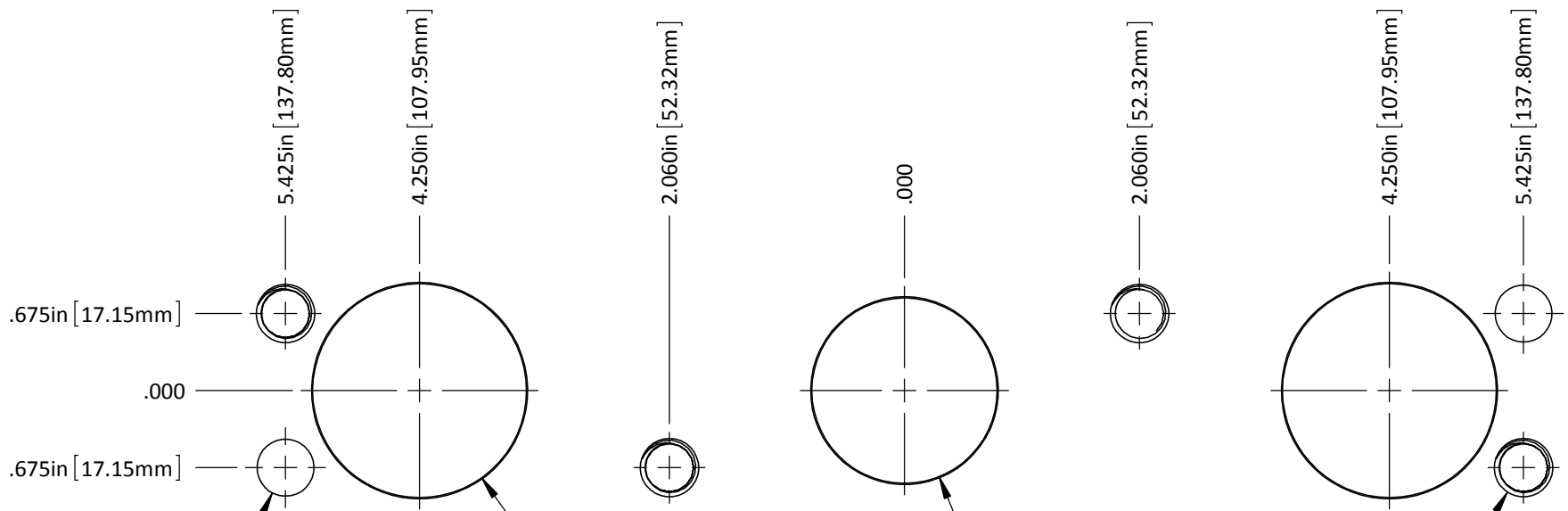
DO NOT SCALE DRAWING

REV 1

This product may be covered by one or more patents or
 patent applications.
 See <http://www.standardlifters.com/patents.html> for details.

Base-SL25-12

STANDARD LIFTERS INC



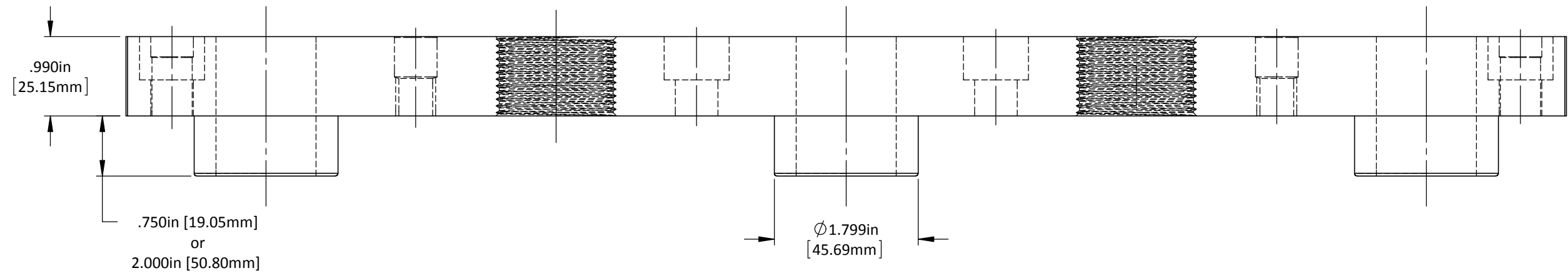
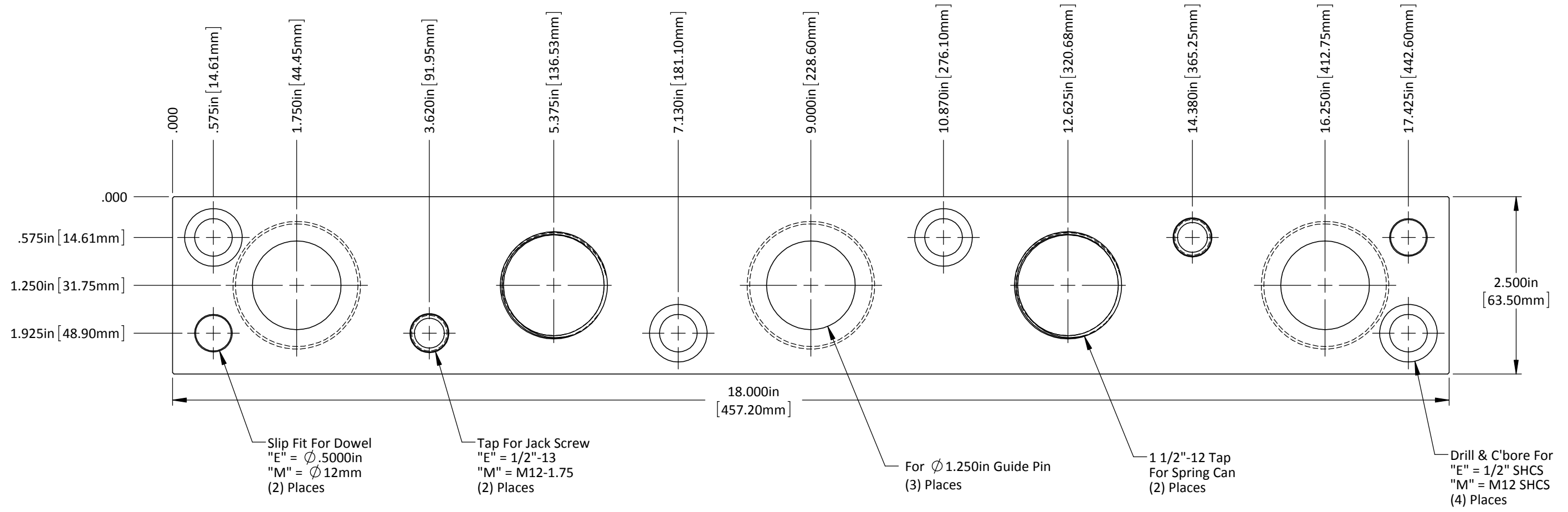
Drill & Ream PF For Dowel
"E" = \varnothing .5000in
"M" - \varnothing 12mm
(2) Places

\varnothing 1.88in
[47.6mm]
Drill Clearance
For Guide Pins
(2) Places

\varnothing 1.63in
[41.3mm]
Drill Clearance
For Spring Can

"E" = 1/2"-13 Tap
"M" = M12-1.75 Tap
(4) Places

DO NOT SCALE DRAWING	REV 1	Base-SL25-12-Machining
This product may be covered by one or more patents or patent applications. See http://www.standardlifters.com/patents.html for details.		

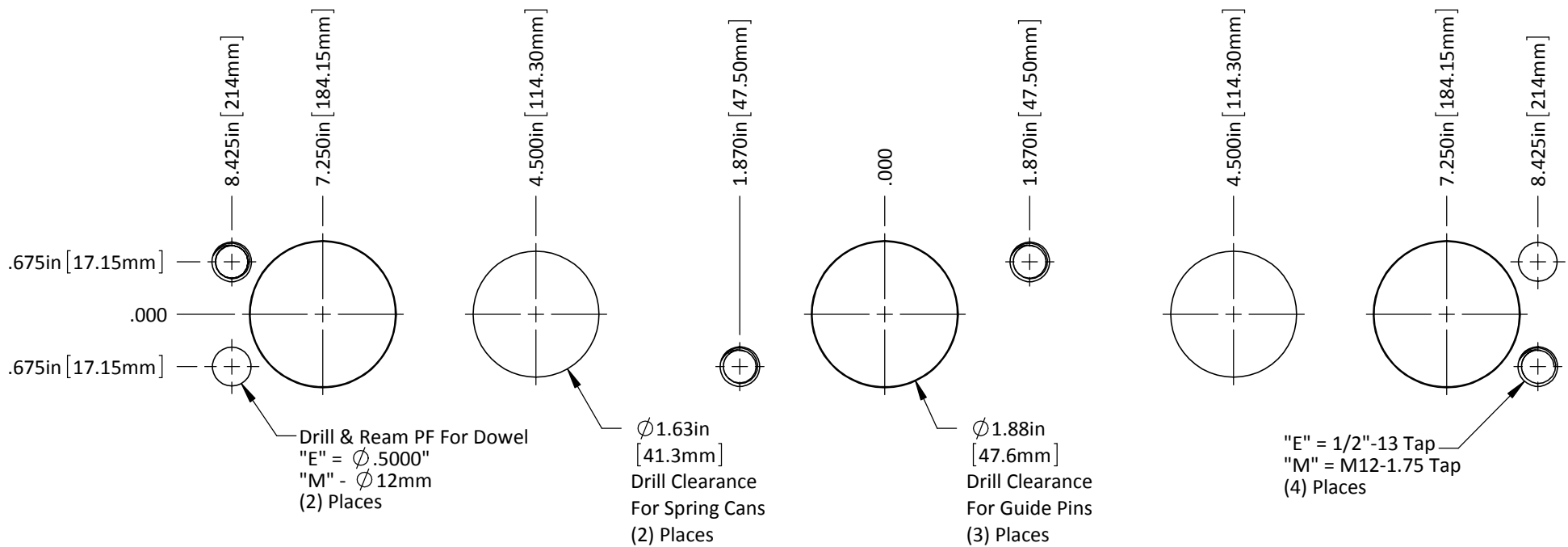


DO NOT SCALE DRAWING REV 1

This product may be covered by one or more patents or patent applications.
 See <http://www.standardlifters.com/patents.html> for details.

Base-SL25-18

STANDARD LIFTERS INC



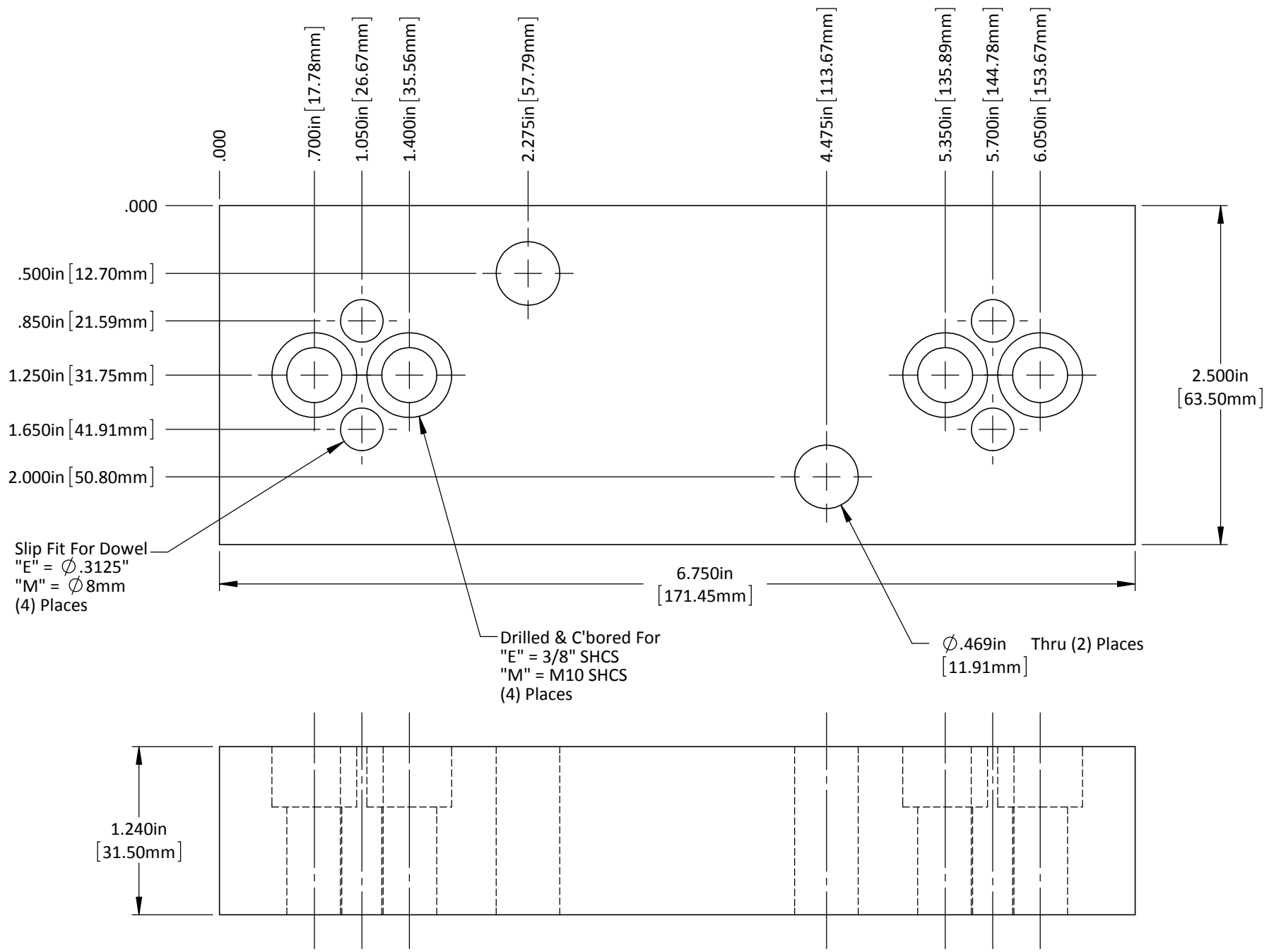
DO NOT SCALE DRAWING

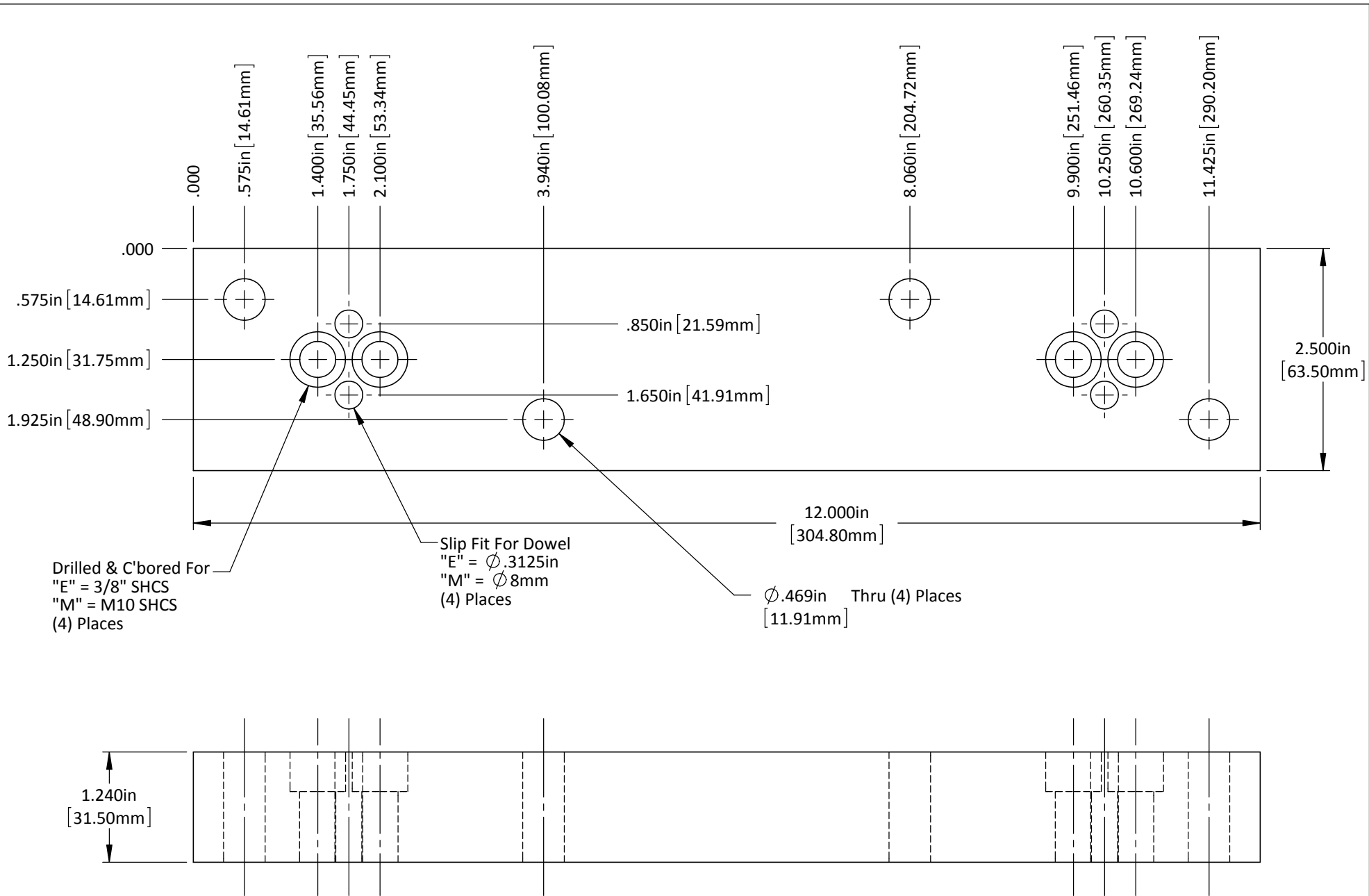
REV 1

This product may be covered by one or more patents or patent applications.
 See <http://www.standardlifters.com/patents.html> for details.

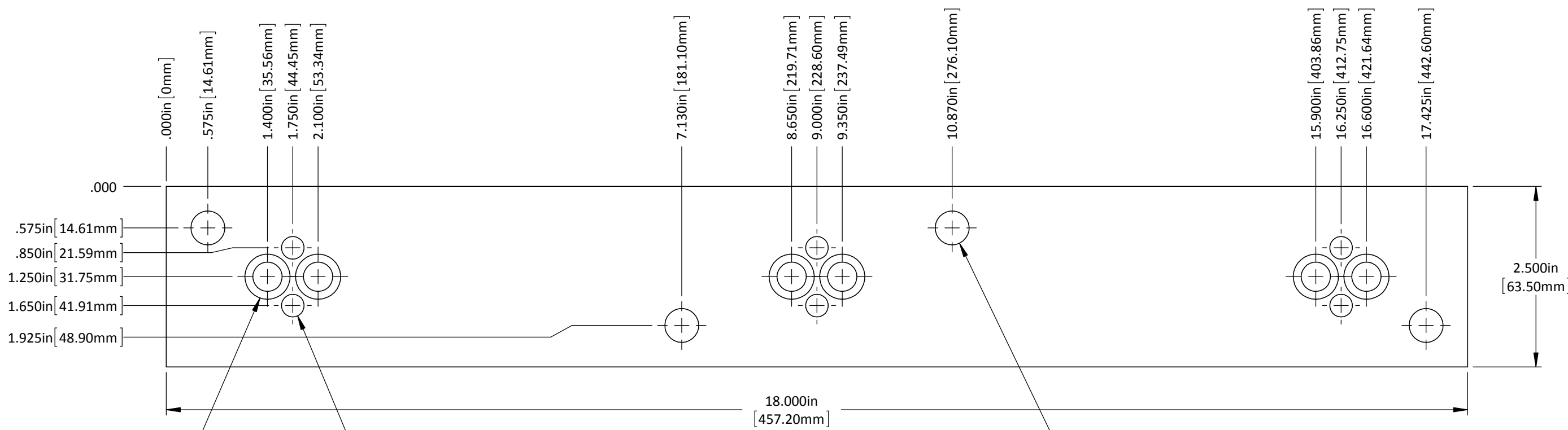
Base-SL25-18-Machining

STANDARD LIFTERS INC





DO NOT SCALE DRAWING	REV 1	Top Plate-SL25-12-A
This product may be covered by one or more patents or patent applications. See http://www.standardlifters.com/patents.html for details.		



Drilled & C'bored For
 "E" = 3/8" SHCS
 "M" = M10 SHCS
 (6) Places

Slip Fit For Dowel
 "E" = \varnothing .3125in
 "M" = \varnothing 8mm
 (6) Places

\varnothing .469in Thru (4) Places
 [11.91mm]

