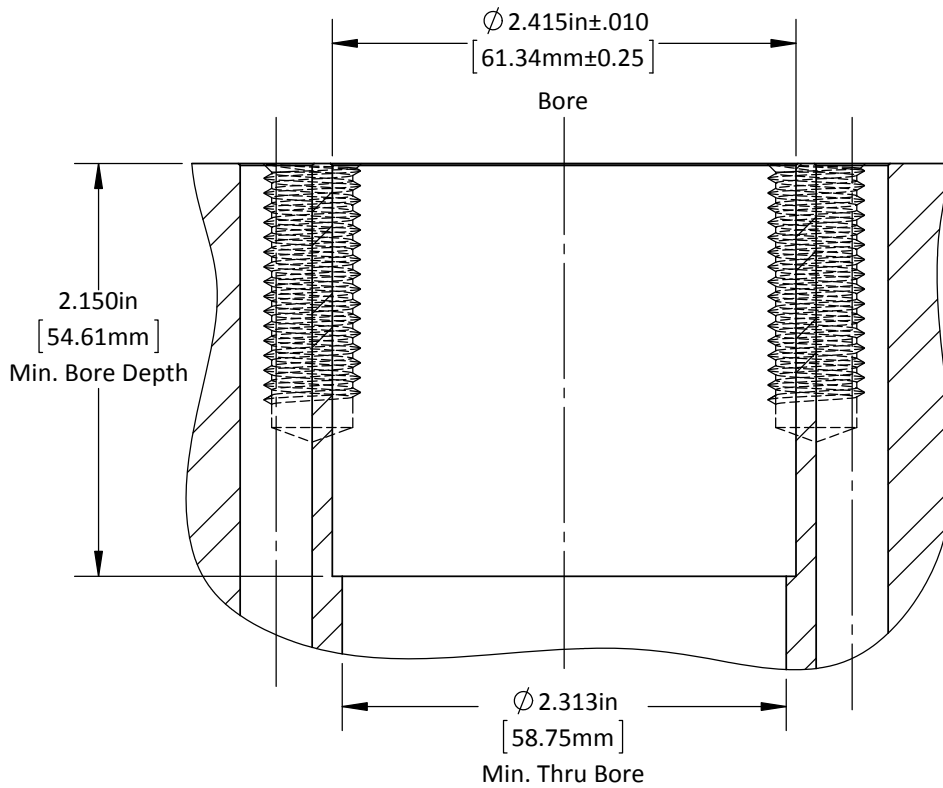


"E" = 1/2"-13 Tap
 "M" = M12-1.75 Tap
 (4) Places

Drill & Ream PF for Dowel
 "E" = $\varnothing .375\text{in}$
 "M" = $\varnothing 10.00\text{mm}$
 (2) Places



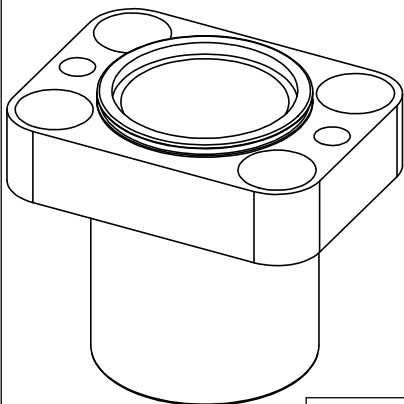
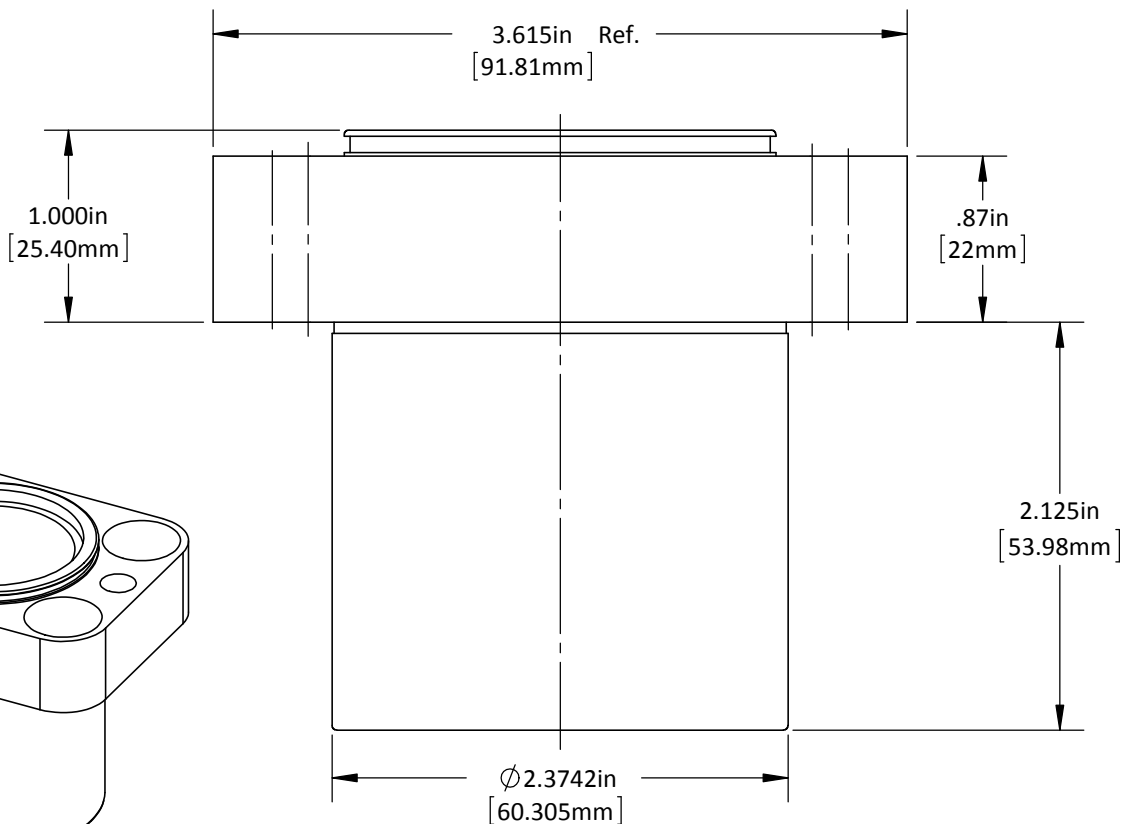
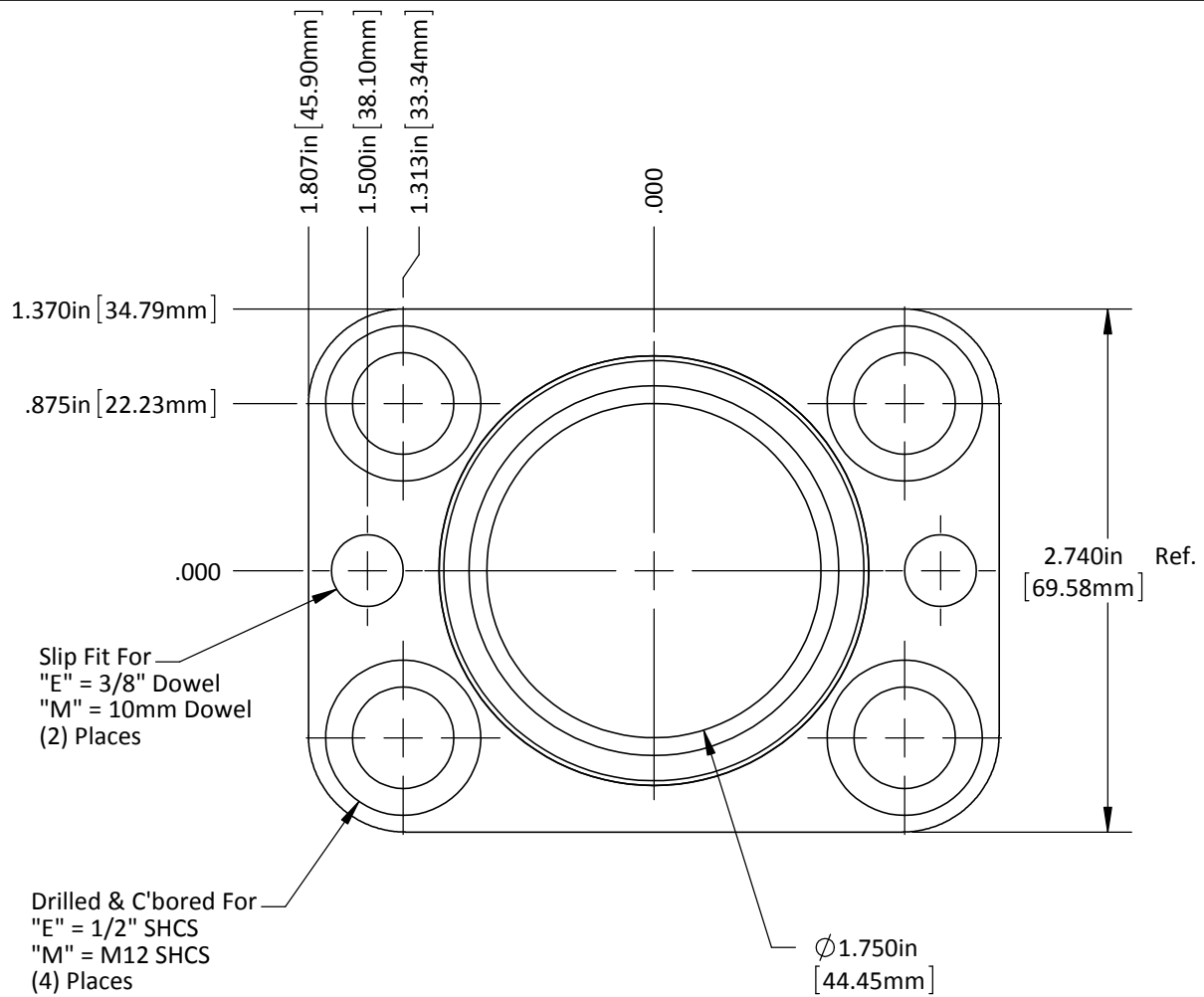
DO NOT SCALE DRAWING

REV 2

This product may be covered by one or more patents or patent applications.
 See <http://www.standardlifters.com/patents.html> for details.

GK175-D3-Base Machining

STANDARD LIFTERS INC



DO NOT SCALE DRAWING REV 1

This product may be covered by one or more patents or patent applications.
 See <http://www.standardlifters.com/patents.html> for details.

Base-GK175-D3

STANDARD LIFTERS INC