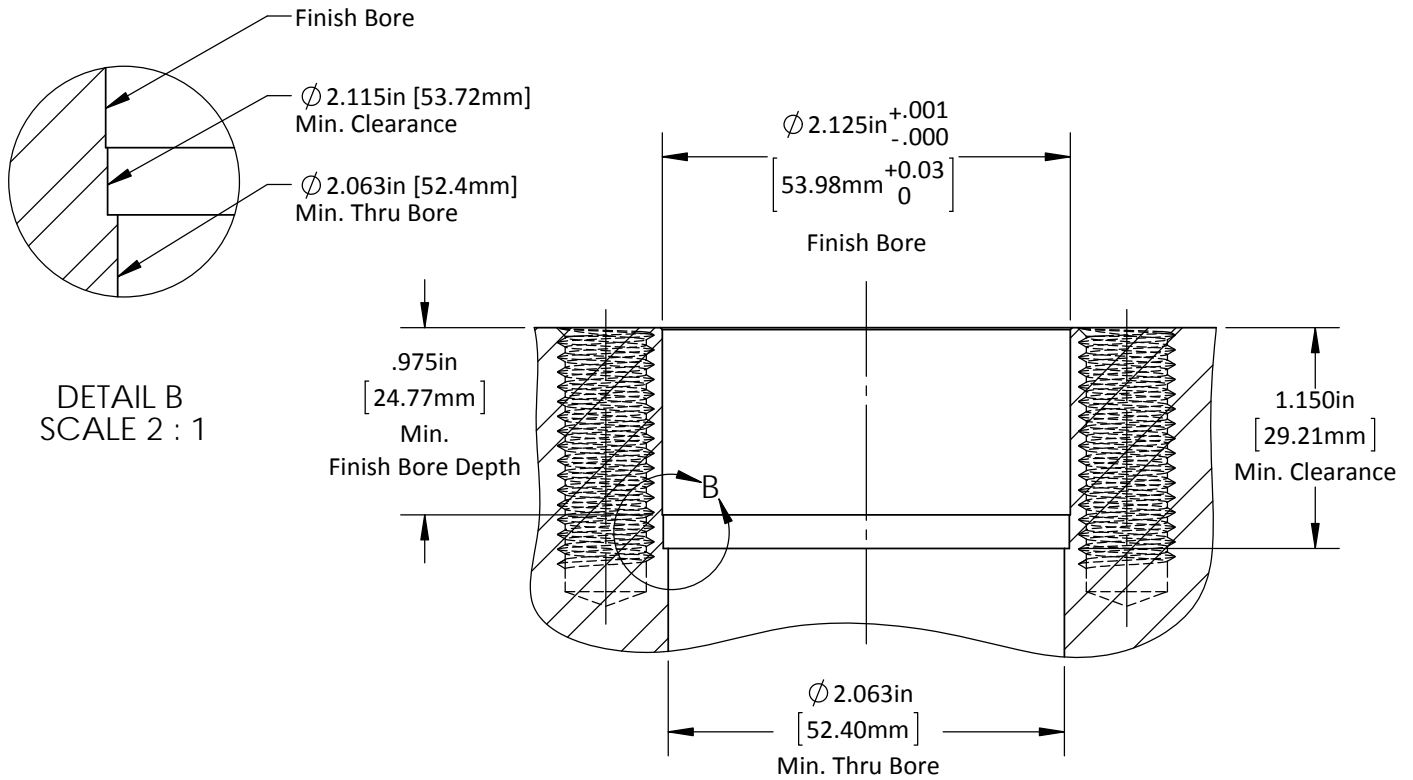
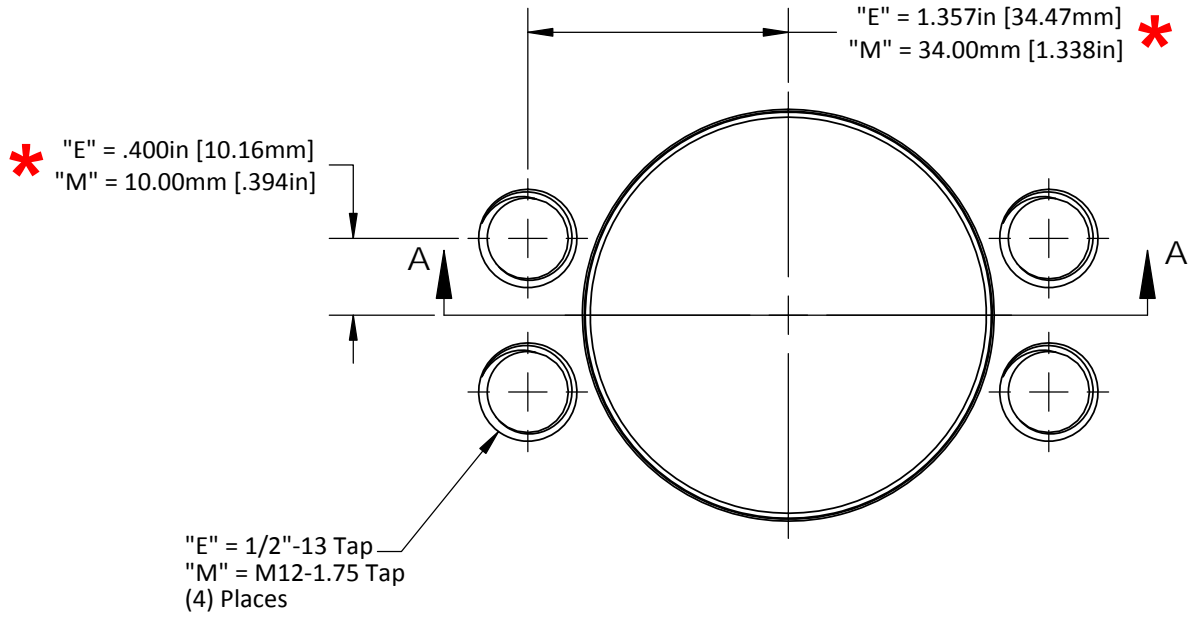
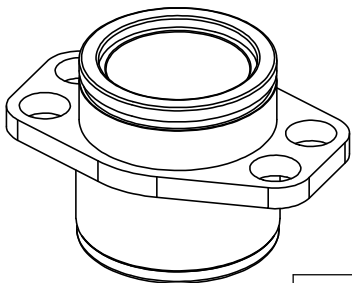
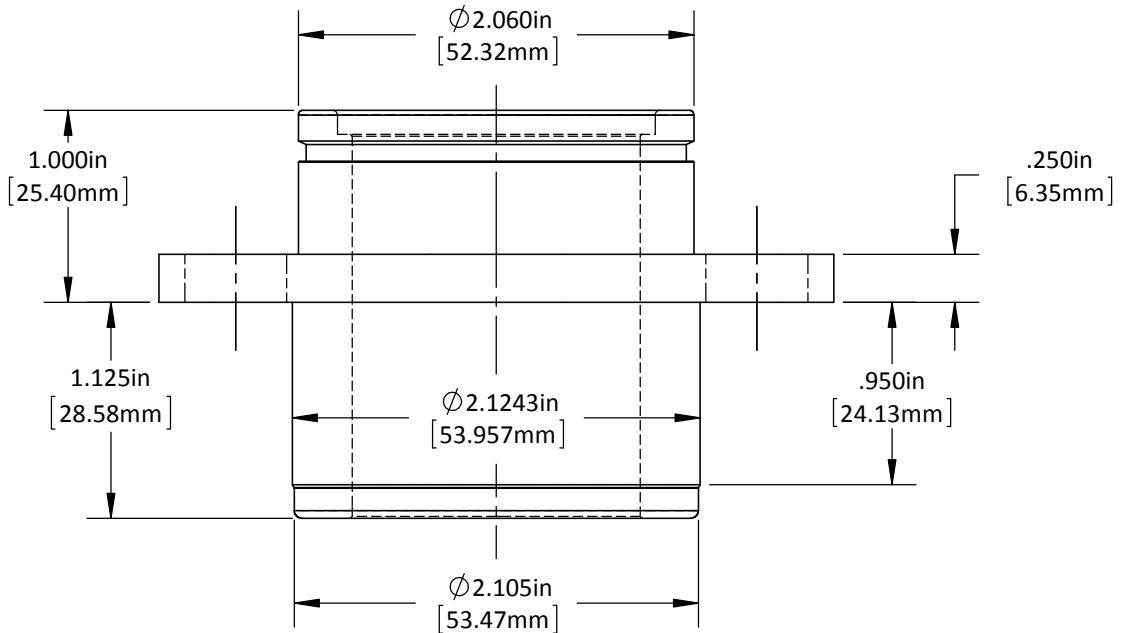
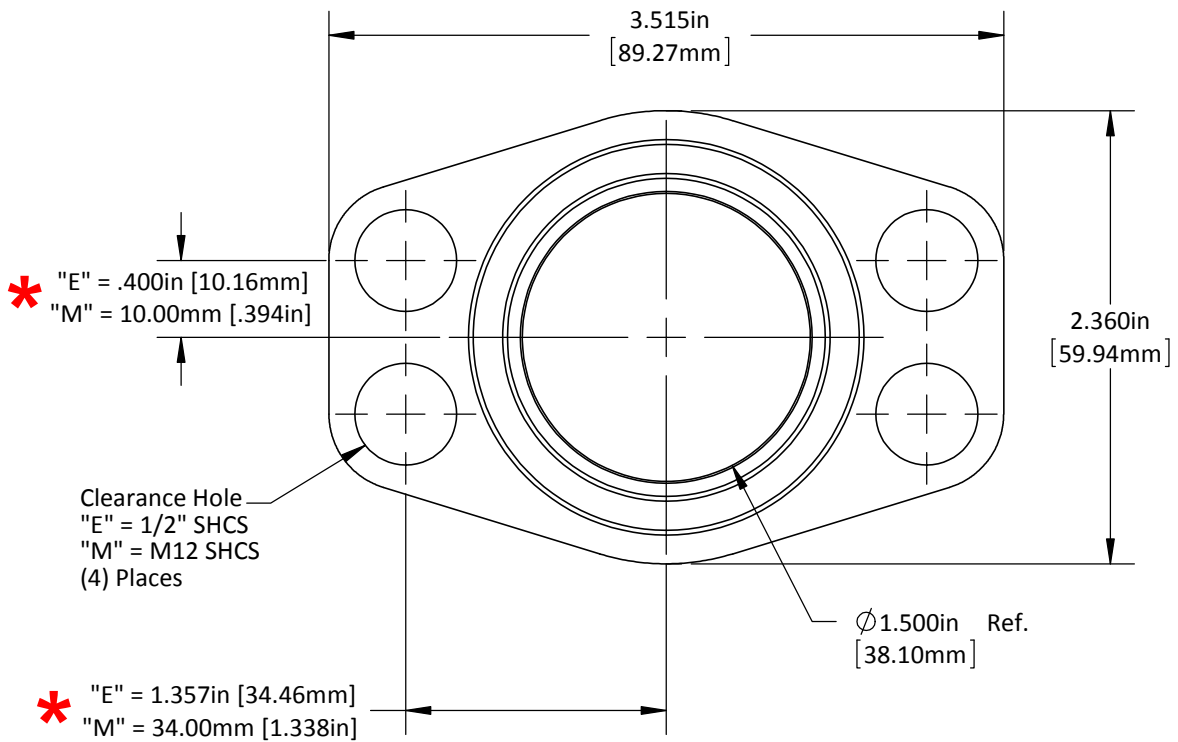


***Caution: English & Metric Hole Locations are NOT the Same!**



DO NOT SCALE DRAWING	REV 2	GK150-L2-Base Machining
This product may be covered by one or more patents or patent applications. See http://www.standardlifters.com/patents.html for details.		

***Caution: English & Metric Hole Locations are NOT the Same!**



DO NOT SCALE DRAWING

REV 1

This product may be covered by one or more patents or patent applications.
See <http://www.standardlifters.com/patents.html> for details.

Base-GK150-L2

STANDARD LIFTERS INC