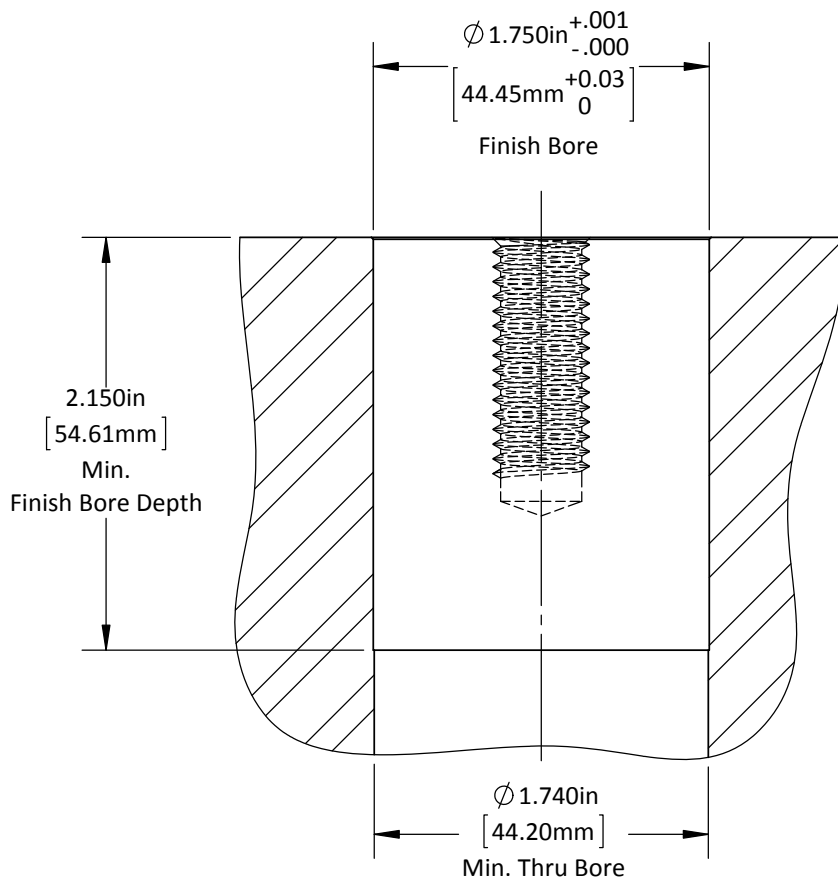
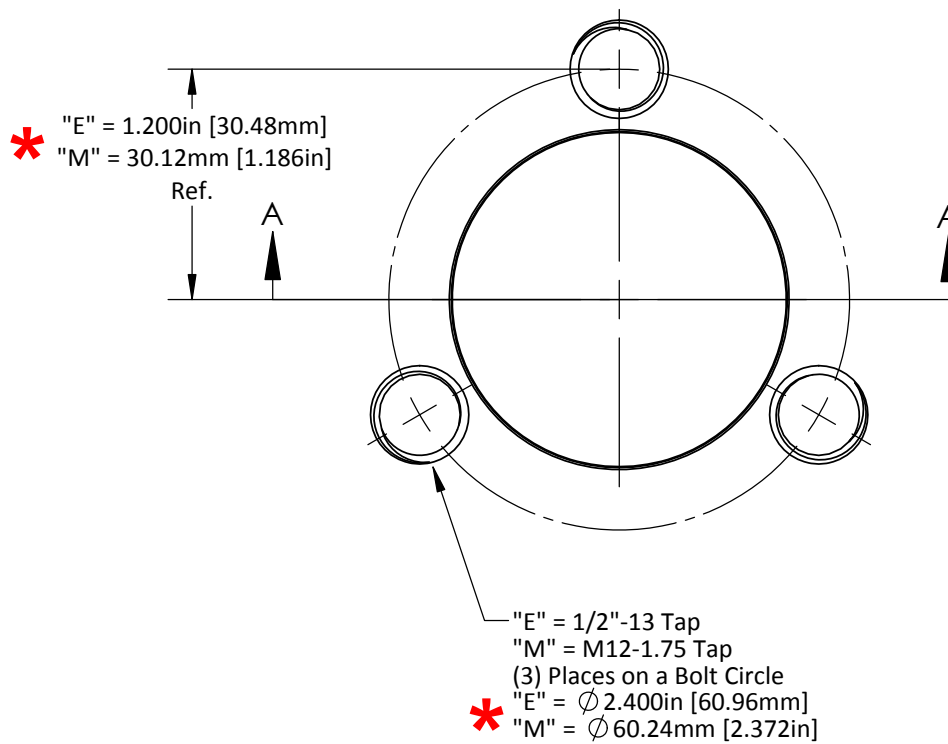


**\* Caution: English & Metric Hole Locations are NOT the Same!**



DO NOT SCALE DRAWING

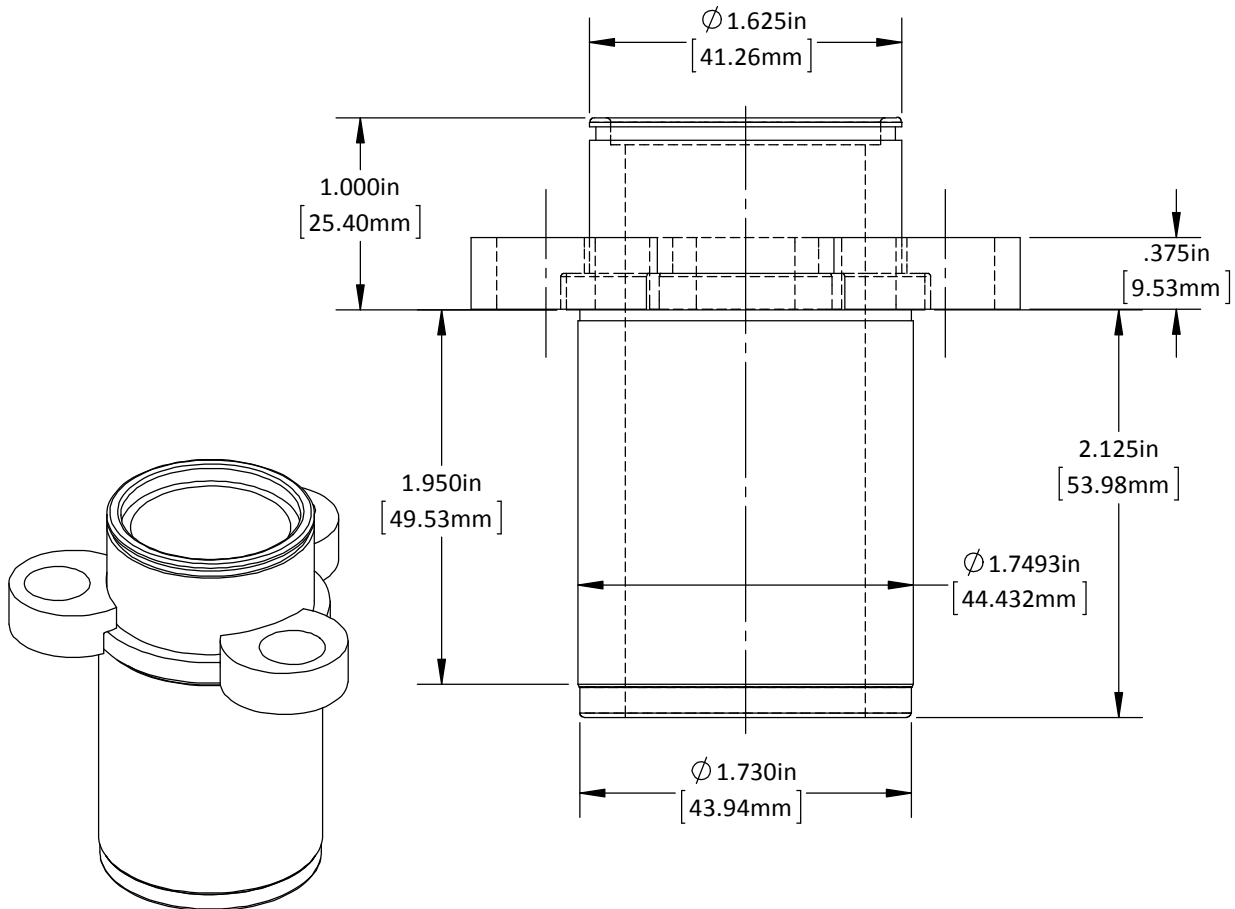
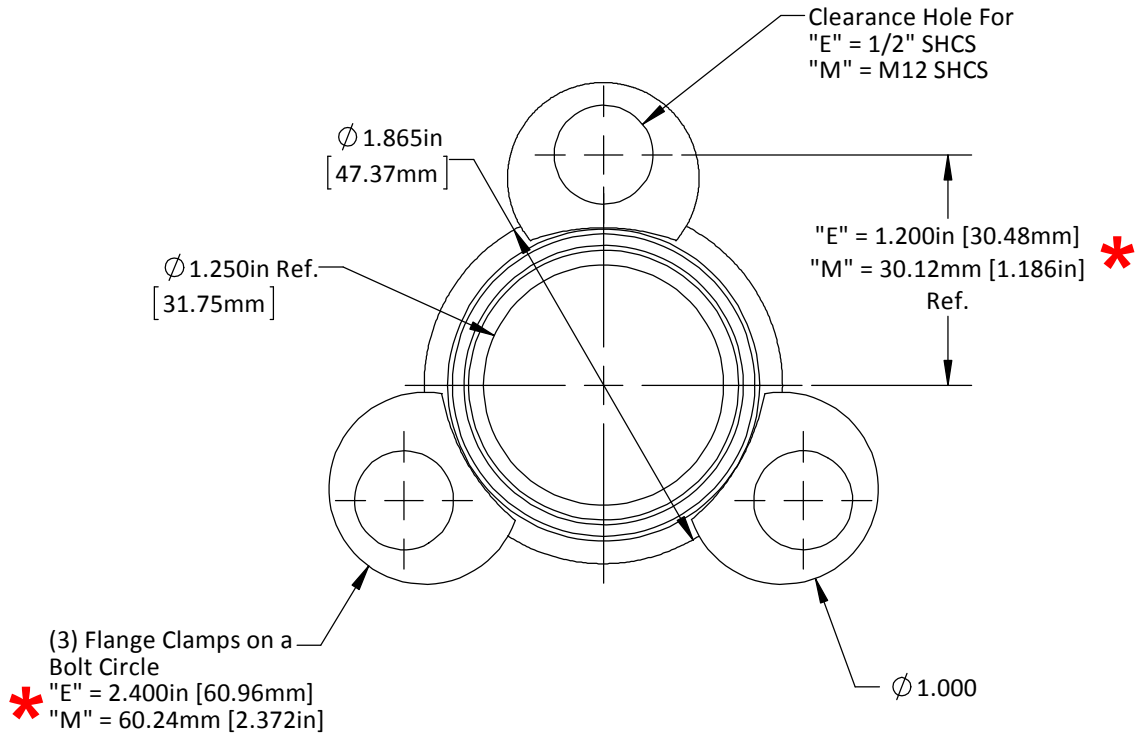
REV 2

This product may be covered by one or more patents or patent applications.  
See <http://www.standardlifters.com/patents.html> for details.

**GK120-H3-Base Machining**

**STANDARD LIFTERS INC**

**\* Caution: English & Metric Hole Locations are NOT the Same!**



|  |       |                      |
|--|-------|----------------------|
| DO NOT SCALE DRAWING   | REV 2 | <b>Base-GK120-H3</b> |
| This product may be covered by one or more patents or patent applications.<br>See <a href="http://www.standardlifters.com/patents.html">http://www.standardlifters.com/patents.html</a> for details. |       |                      |