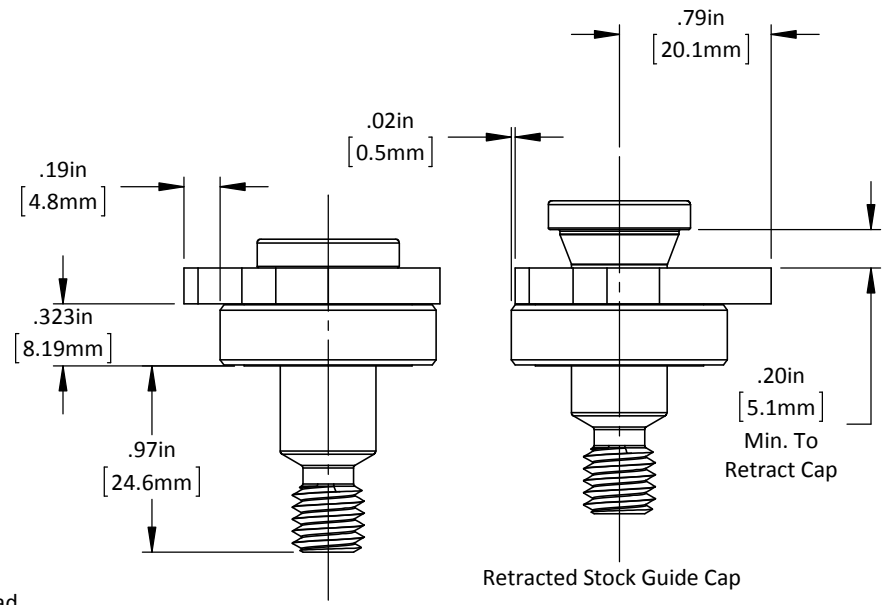
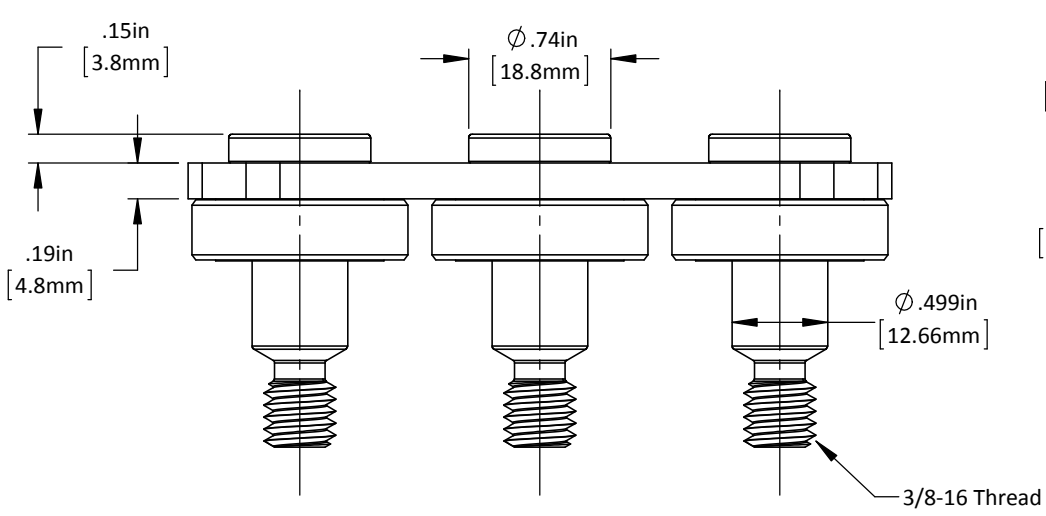
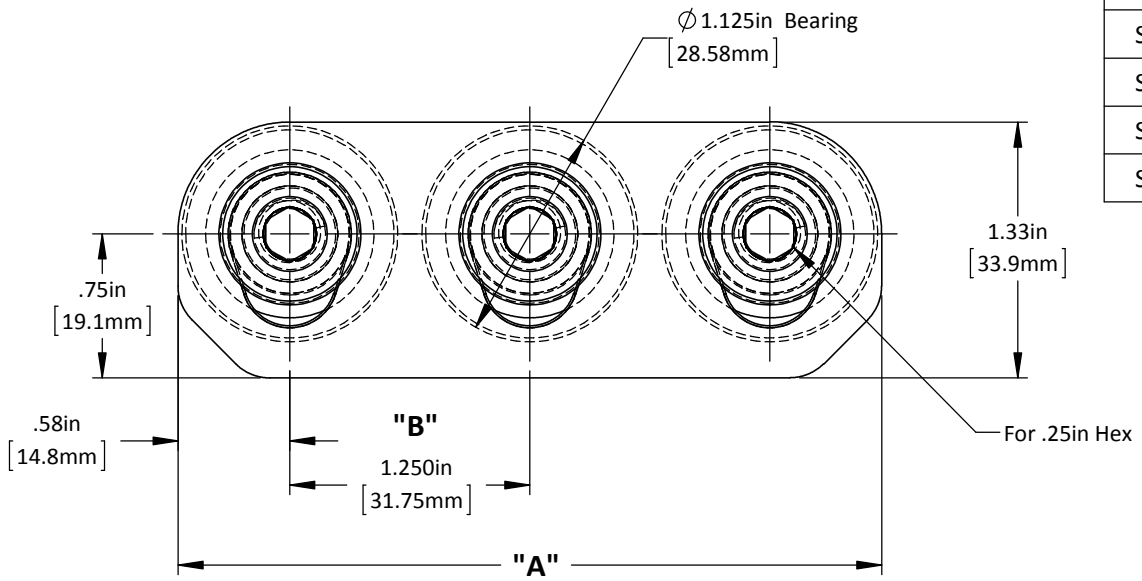
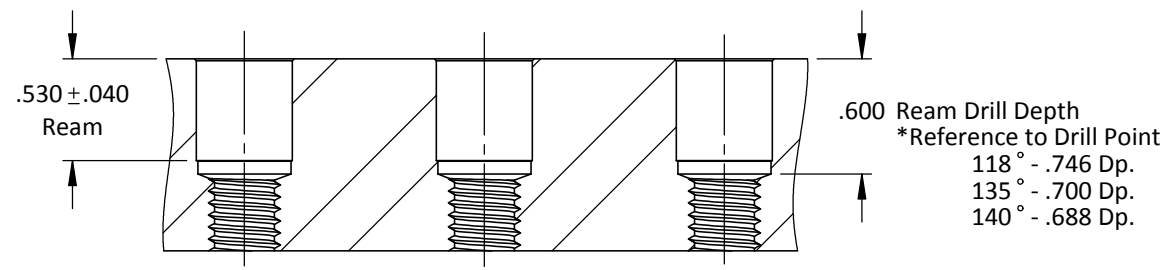
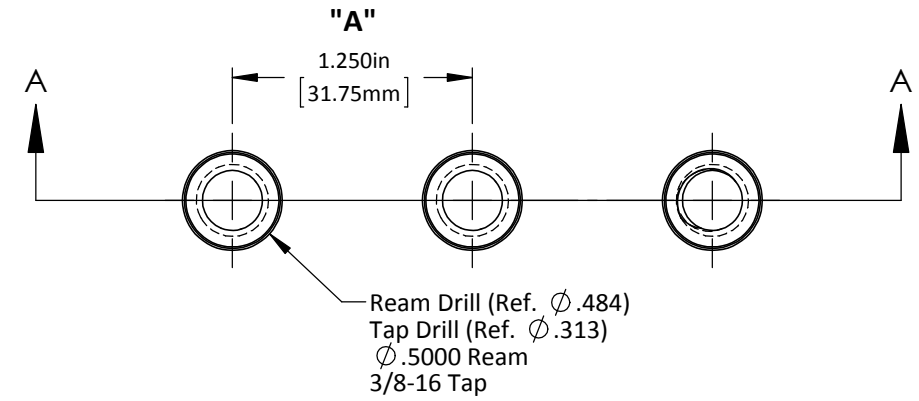
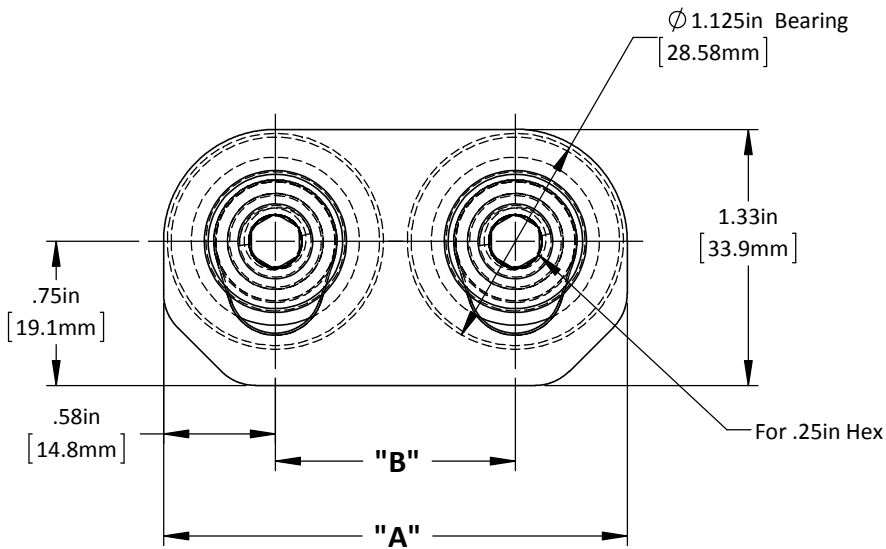


Product Number	"A" Dim.	"B" Spaces	No. of Brgs.
SG-B-E-C-1.33-3.67	3.67in [93.1mm]	2	3
SG-B-E-C-1.33-4.92	4.92in [124.9mm]	3	4
SG-B-E-C-1.33-6.17	6.17in [156.6mm]	4	5
SG-B-E-C-1.33-7.42	7.42in [188.4mm]	5	6

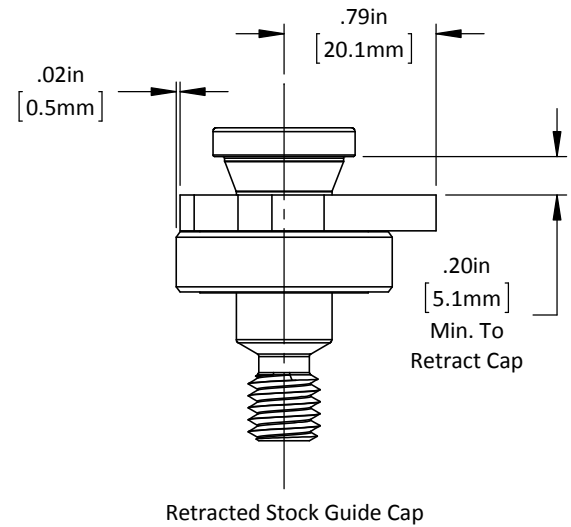
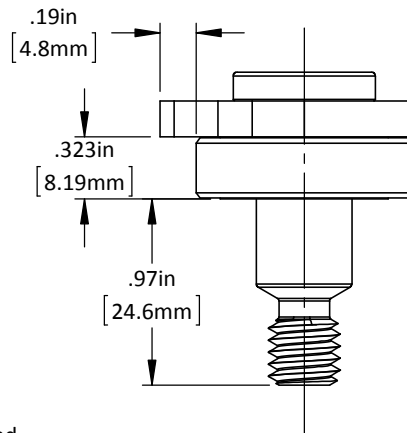
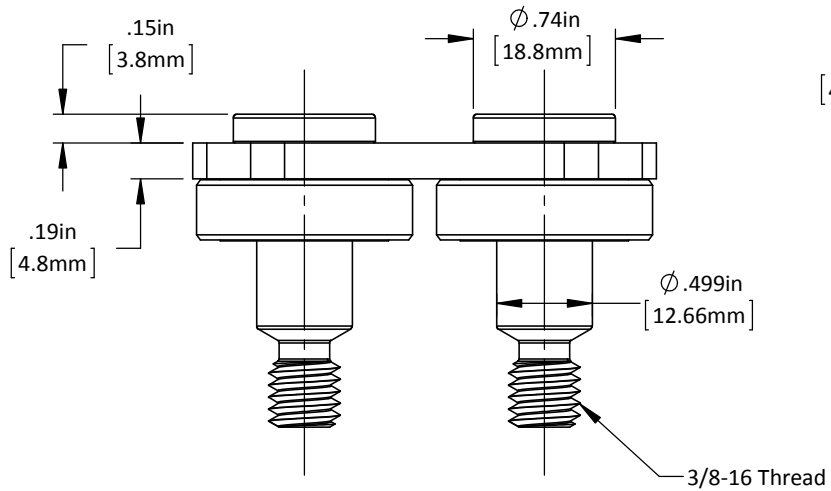


Product Number	"A" Spaces	No. of Holes
SG-B-E-C-1.33-3.67	2	3
SG-B-E-C-1.33-4.92	3	4
SG-B-E-C-1.33-6.17	4	5
SG-B-E-C-1.33-7.42	5	6





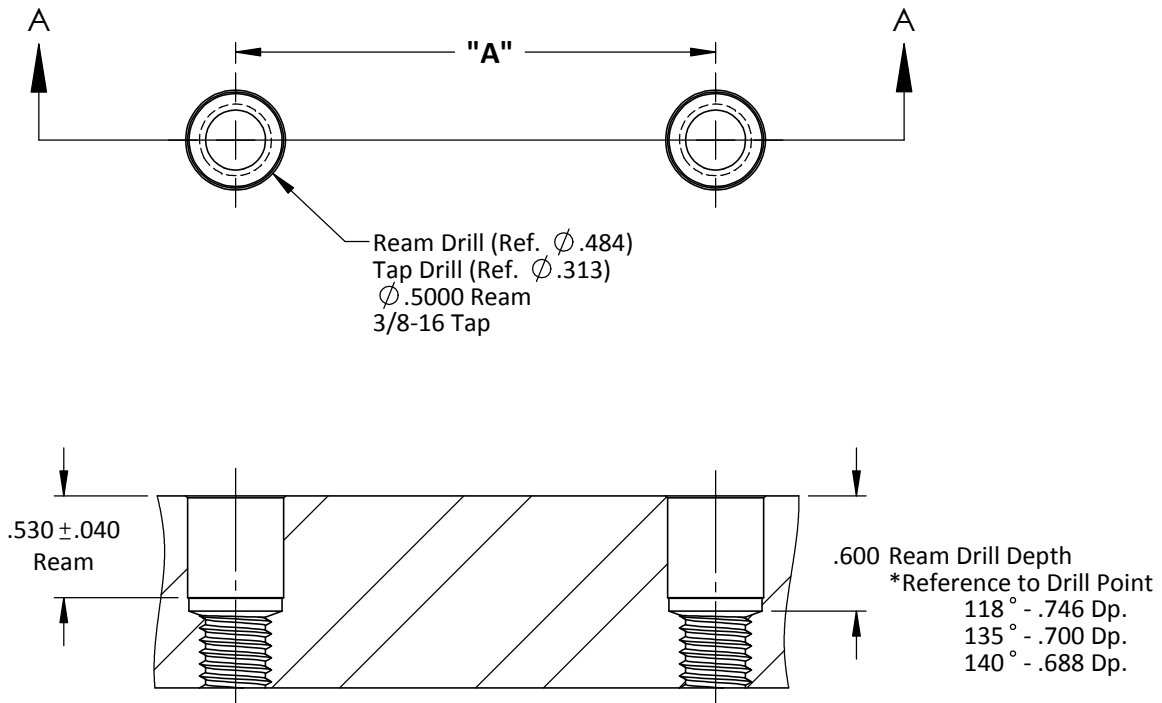
Product Number	"A" Dim.	"B" Dim.
SG-B-E-O-1.33-2.42	2.42in [61.4mm]	1.25in [31.75mm]
SG-B-E-O-1.33-3.67	3.67in [93.1mm]	2.500in [63.50mm]
SG-B-E-O-1.33-4.92	4.92in [124.9mm]	3.75in [95.25mm]
SG-B-E-O-1.33-6.17	6.17in [156.6mm]	5.000in [127mm]
SG-B-E-O-1.33-7.42	7.42in [188.4mm]	6.250in [158.75mm]
SG-B-E-O-1.33-8.67	8.67in [220.1mm]	7.500in [190.5mm]



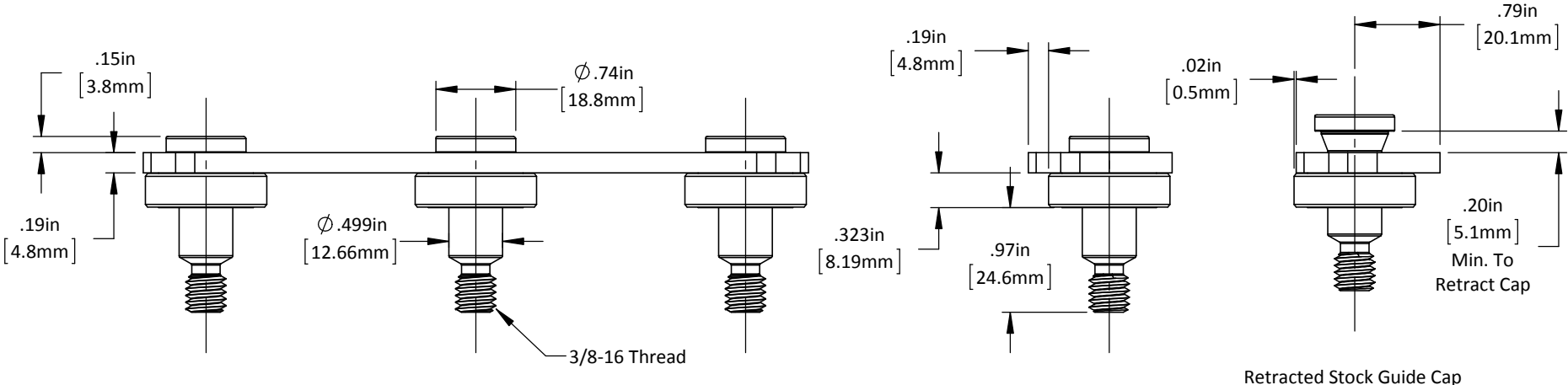
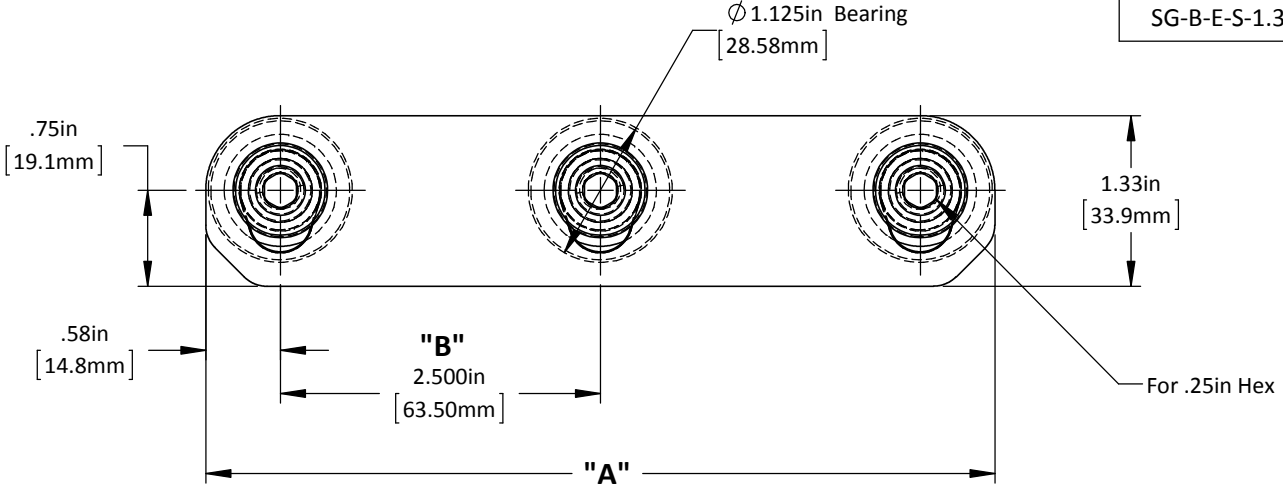
DO NOT SCALE DRAWING REV 1
 This product may be covered by one or more patents or patent applications.
 See <http://www.standardlifters.com/patents.html> for details.

Stock Guide-SG-B-E-O-1.33
STANDARD LIFTERS INC

Product Number	"A" Dim.
SG-B-E-O-1.33-2.42	1.250in [31.75mm]
SG-B-E-O-1.33-3.67	2.500in [63.50mm]
SG-B-E-O-1.33-4.92	3.750in [95.25mm]
SG-B-E-O-1.33-6.17	5.000in [127mm]
SG-B-E-O-1.33-7.42	6.250in [158.75mm]
SG-B-E-O-1.33-8.67	7.500in [190.5mm]



Product Number	"A" Dim.	"B" Spaces	No. of Brgs.
SG-B-E-S-1.33-6.17	6.17in [15.6mm]	2	3
SG-B-E-S-1.33-8.67	8.67in [220.1mm]	3	4



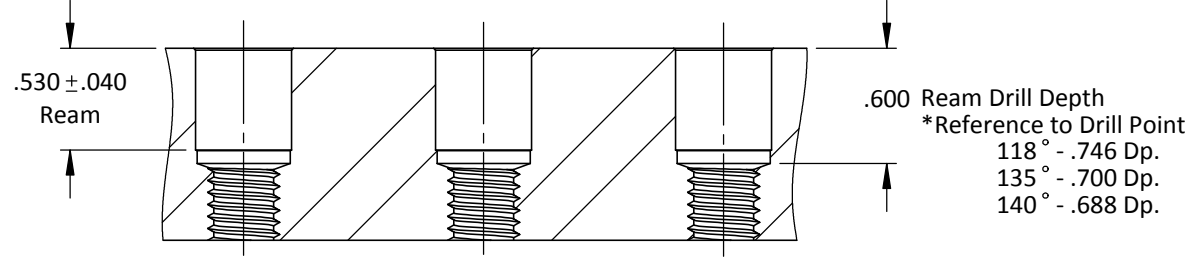
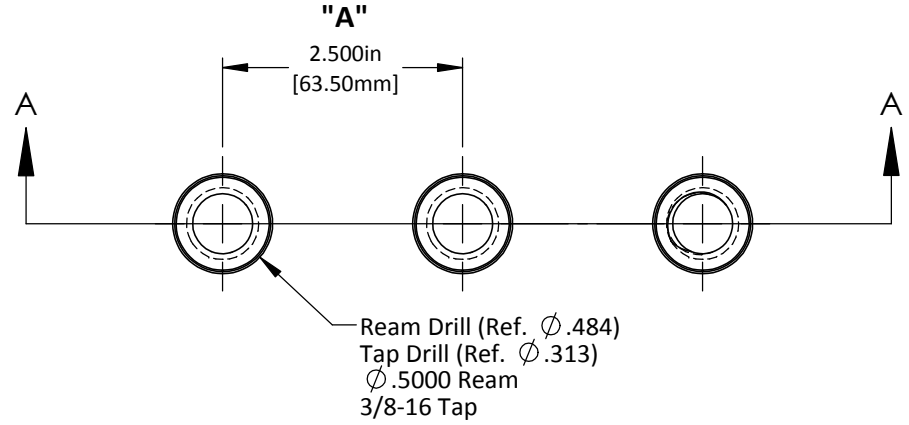
DO NOT SCALE DRAWING REV 1

This product may be covered by one or more patents or patent applications.
See <http://www.standardlifters.com/patents.html> for details.

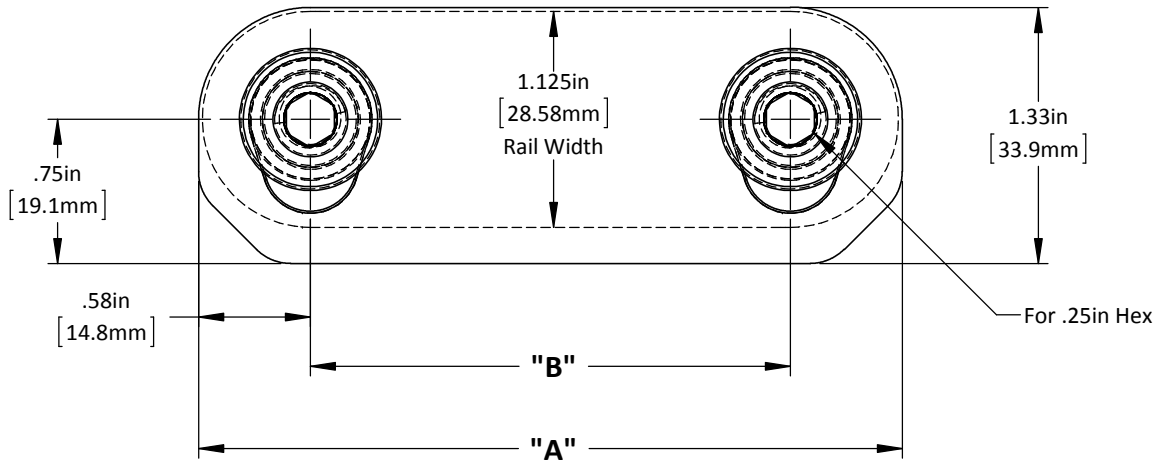
Stock Guide-SG-B-E-S-1.33

STANDARD LIFTERS INC

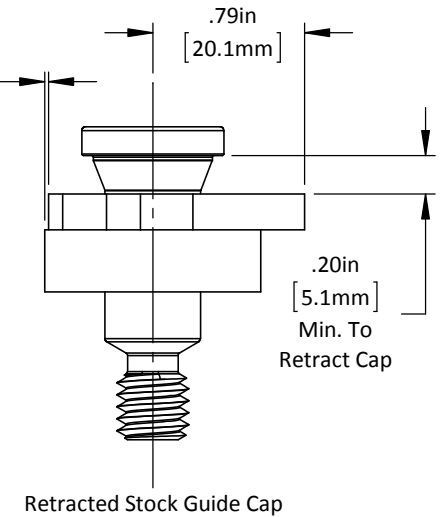
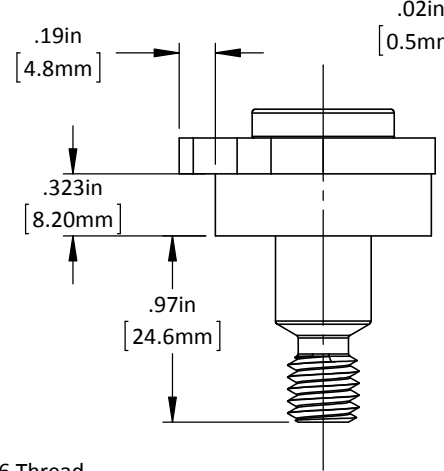
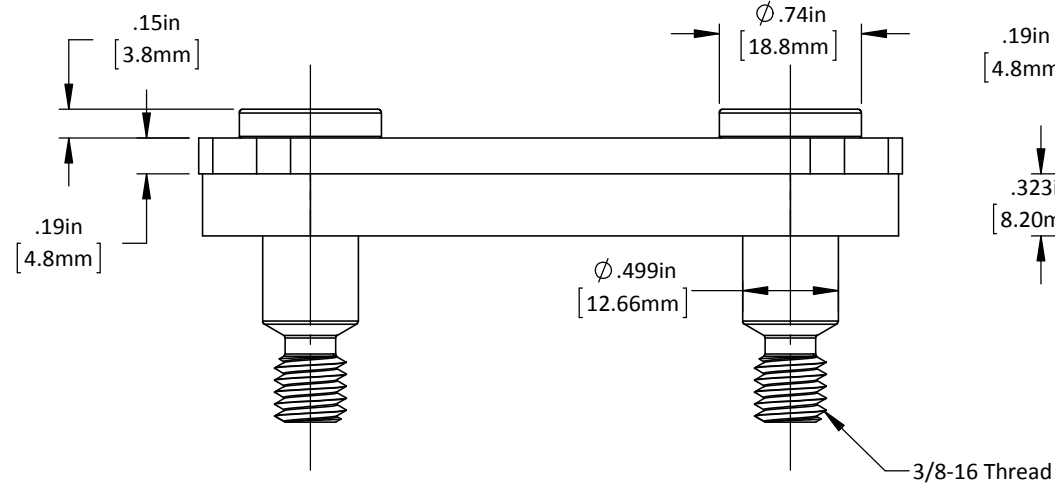
Product Number	"A" Spaces	No. of Holes
SG-B-E-S-1.33-6.17	2	3
SG-B-E-S-1.33-8.67	3	4



DO NOT SCALE DRAWING	REV 2	Stock Guide-SG-B-E-S-1.33-Machining
<small>This product may be covered by one or more patents or patent applications. See http://www.standardlifters.com/patents.html for details.</small>		



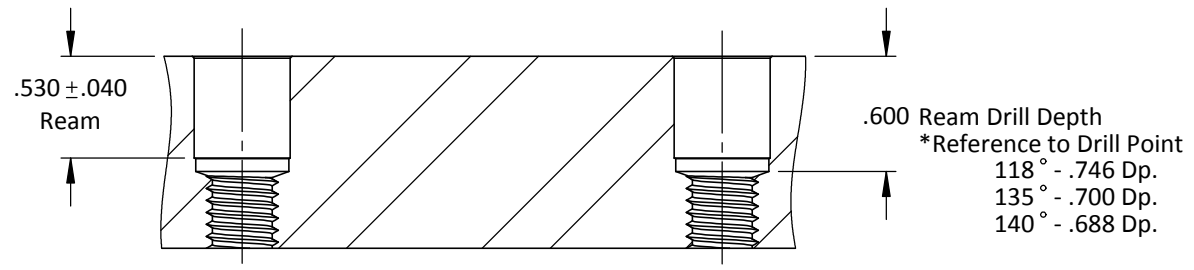
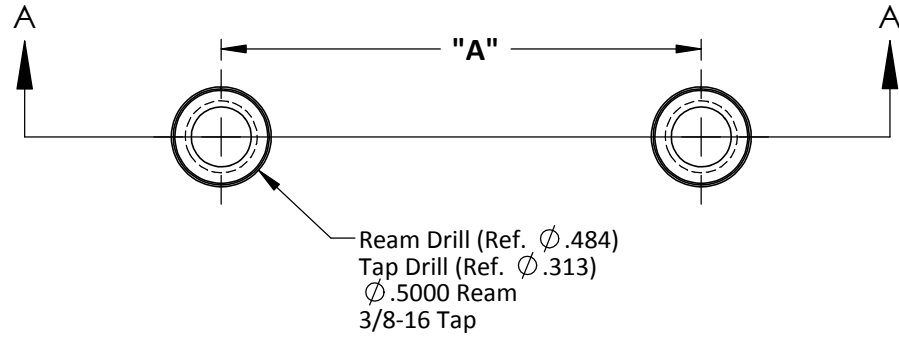
Product Number	"A" Dim.	"B" Dim.
SG-S-E-H-1.33-3.67	3.67in [93.1mm]	2.500in [63.50mm]
SG-S-E-H-1.33-4.92	4.92in [124.9mm]	3.750in [95.25mm]
SG-S-E-H-1.33-6.17	6.17in [156.6mm]	5.000in [127mm]
SG-S-E-H-1.33-7.42	7.42in [188.4mm]	6.250in [158.75mm]
SG-S-E-H-1.33-8.67	8.67in [220.1mm]	7.500in [190.5mm]



DO NOT SCALE DRAWING REV 1
 This product may be covered by one or more patents or patent applications.
 See <http://www.standardlifters.com/patents.html> for details.

Stock Guide-SG-S-E-H-1.33
STANDARD LIFTERS INC

Product Number	"A" Dim.
SG-S-E-H-1.33-3.67	2.500in [63.50mm]
SG-S-E-H-1.33-4.92	3.750in [95.25mm]
SG-S-E-H-1.33-6.17	5.000in [127mm]
SG-S-E-H-1.33-7.42	6.250in [158.75mm]
SG-S-E-H-1.33-8.67	7.500in [190.5mm]



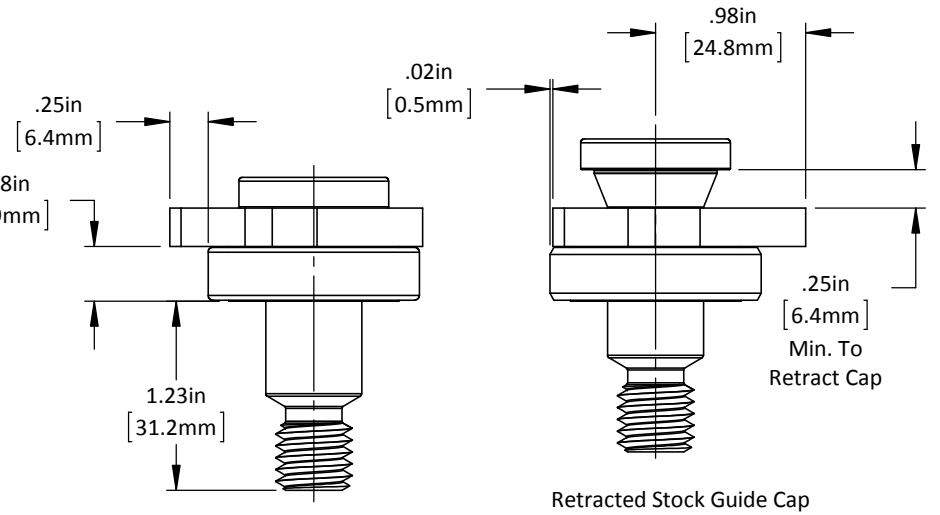
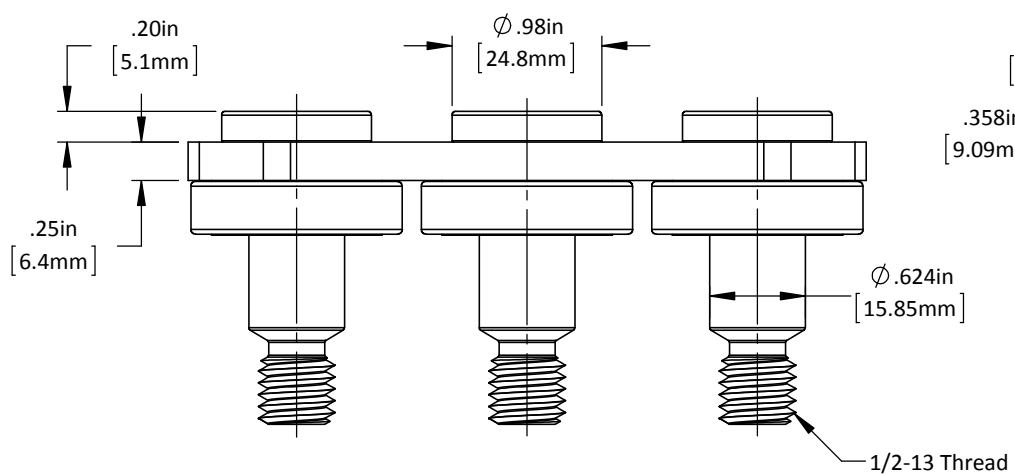
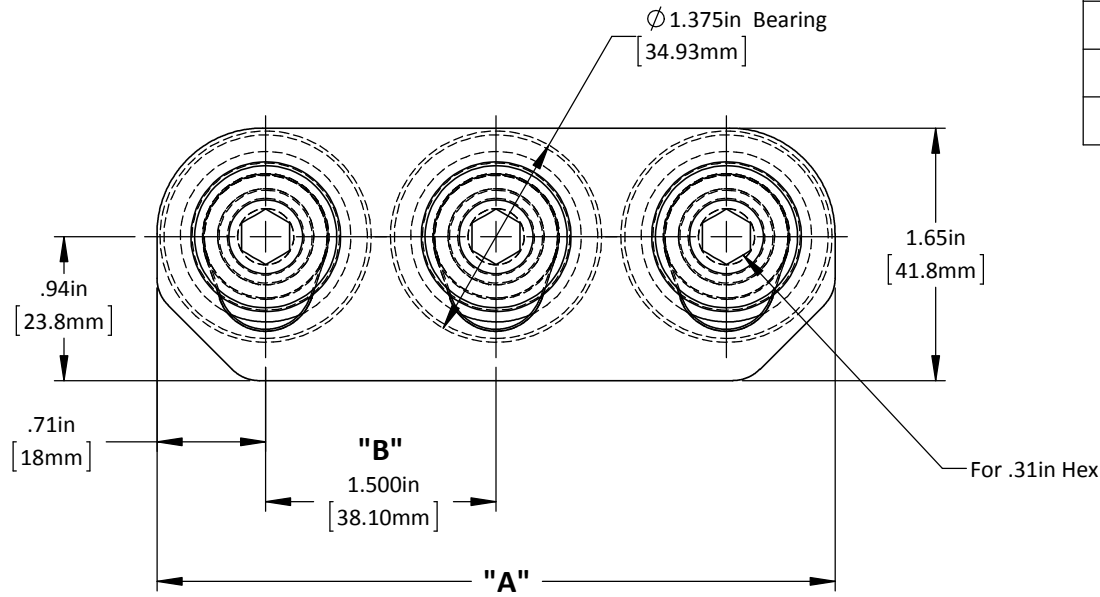
DO NOT SCALE DRAWING REV 2

This product may be covered by one or more patents or patent applications.
 See <http://www.standardlifters.com/patents.html> for details.

Stock Guide-SG-S-E-H-1.33-Machining

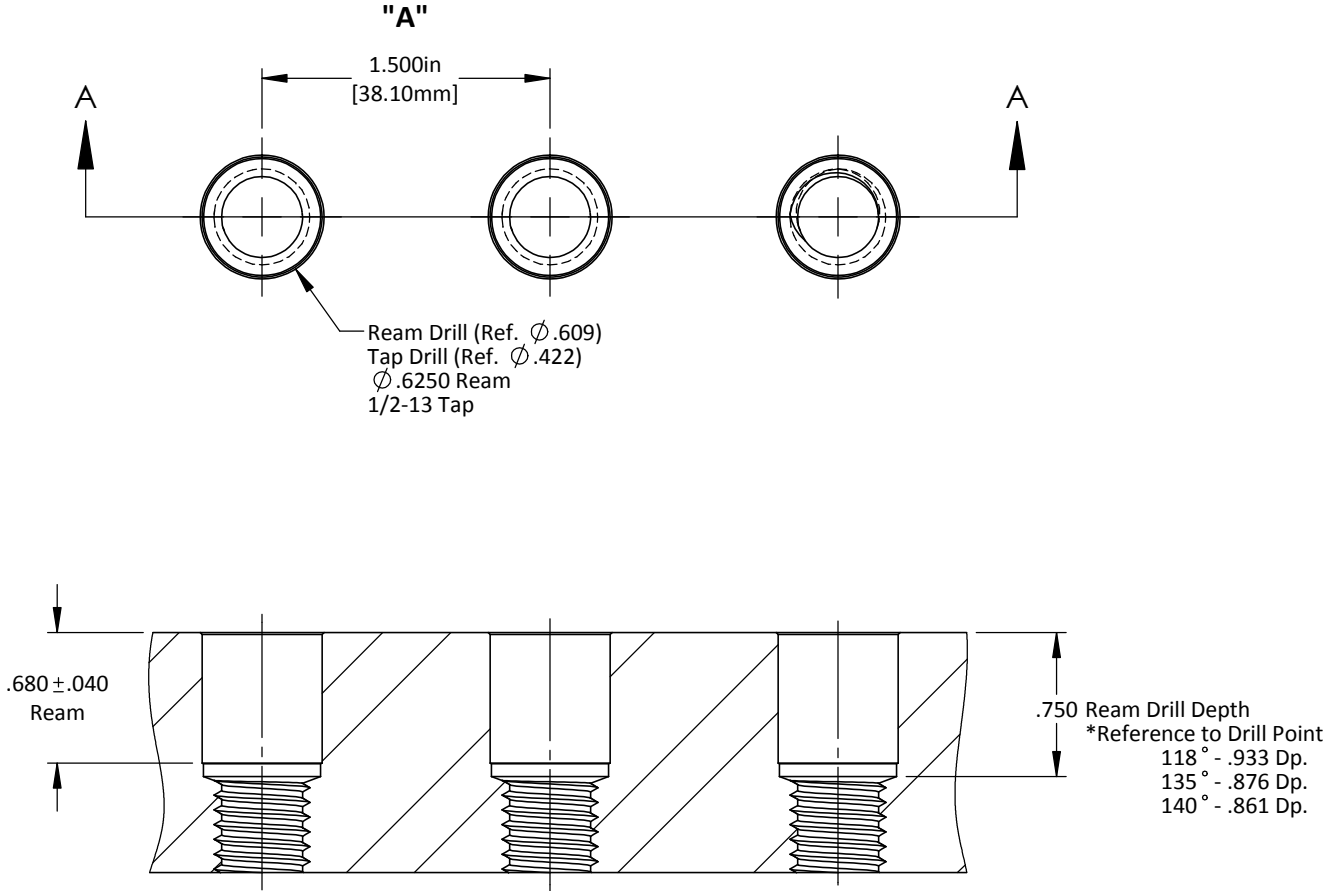
STANDARD LIFTERS INC

Product Number	"A" Dim.	"B" Spaces	No. of Brgs.
SG-B-E-C-1.65-4.42	4.42in [112.2mm]	2	3
SG-B-E-C-1.65-5.92	5.92in [150.3mm]	3	4
SG-B-E-C-1.65-7.42	7.42in [188.4mm]	4	5
SG-B-E-C-1.65-8.92	8.92in [226.5mm]	5	6



Retracted Stock Guide Cap

Product Number	"A" Spaces	No. of Holes
SG-B-E-C-1.65-4.42	2	3
SG-B-E-C-1.65-5.92	3	4
SG-B-E-C-1.65-7.42	4	5
SG-B-E-C-1.65-8.92	5	6



DO NOT SCALE DRAWING

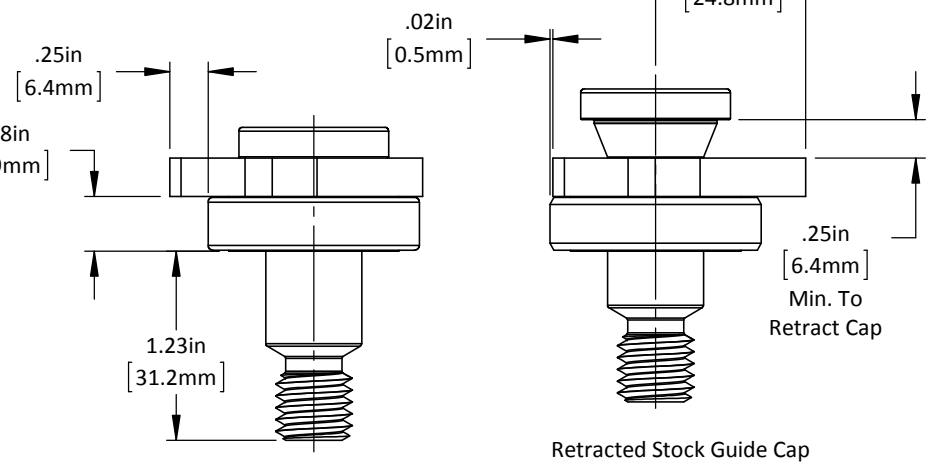
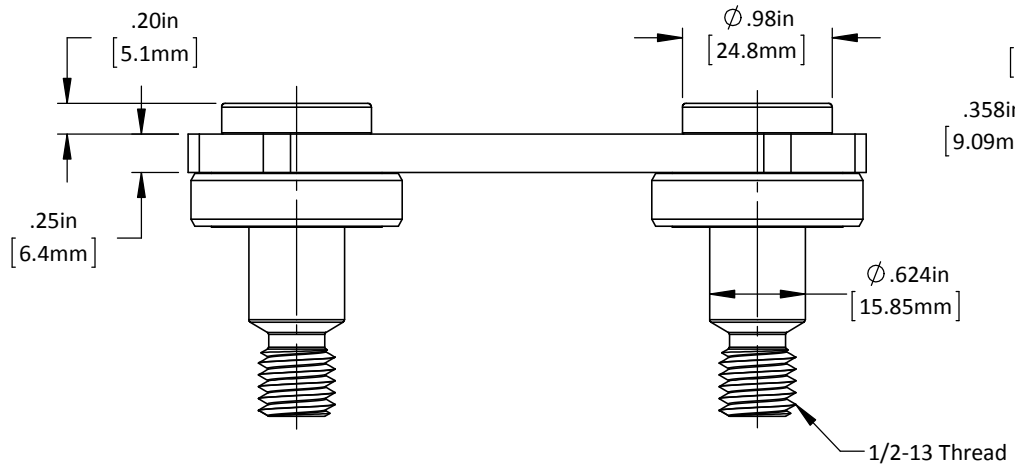
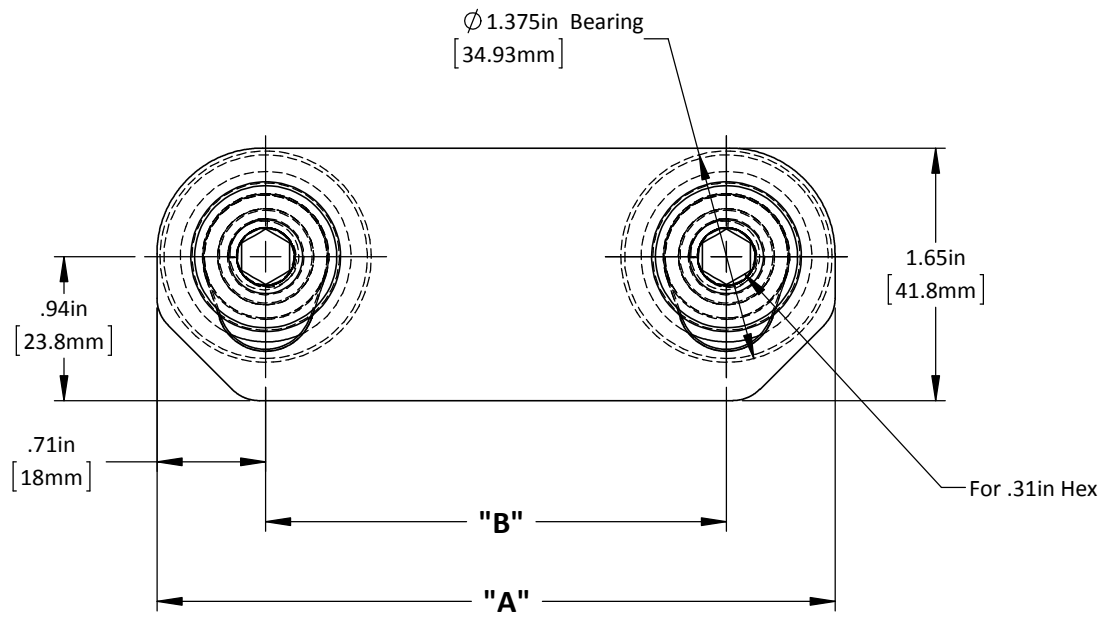
REV 2

Stock Guide-SG-B-E-C-1.65-Machining

This product may be covered by one or more patents or patent applications. See <http://www.standardlifters.com/patents.html> for details.

STANDARD LIFTERS INC

Product Number	"A" Dim.	"B" Dim.
SG-B-E-O-1.65-2.92	2.92in [74.1mm]	1.500in [38.1mm]
SG-B-E-O-1.65-4.42	4.42in [112.2mm]	3.000in [76.2mm]
SG-B-E-O-1.65-5.92	5.92in [150.3mm]	4.500in [114.3mm]
SG-B-E-O-1.65-7.42	7.42in [188.4mm]	6.000in [152.4mm]
SG-B-E-O-1.65-8.92	8.92in [226.5mm]	7.500in [190.5mm]
SG-B-E-O-1.65-10.42	10.42in [264.6mm]	9.000in [228.6mm]
SG-B-E-O-1.65-13.42	13.42in [340.8mm]	12.000in [304.8mm]
SG-B-E-O-1.65-16.42	16.42in [417mm]	15.000in [381mm]



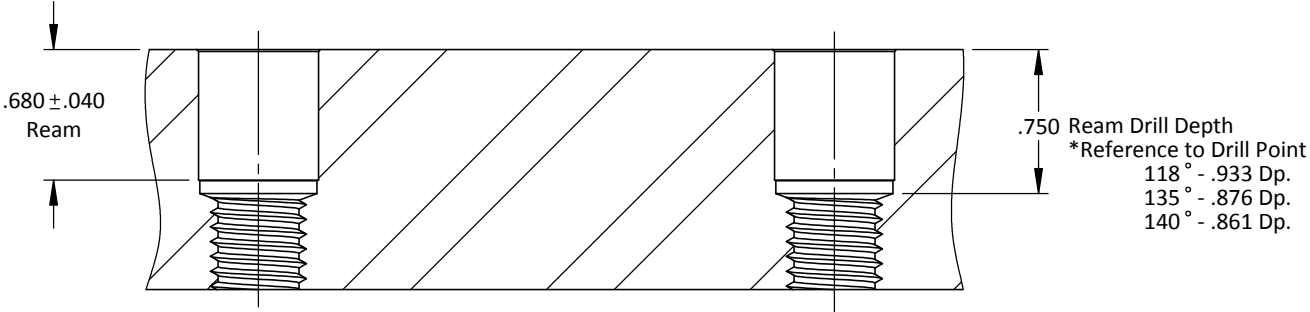
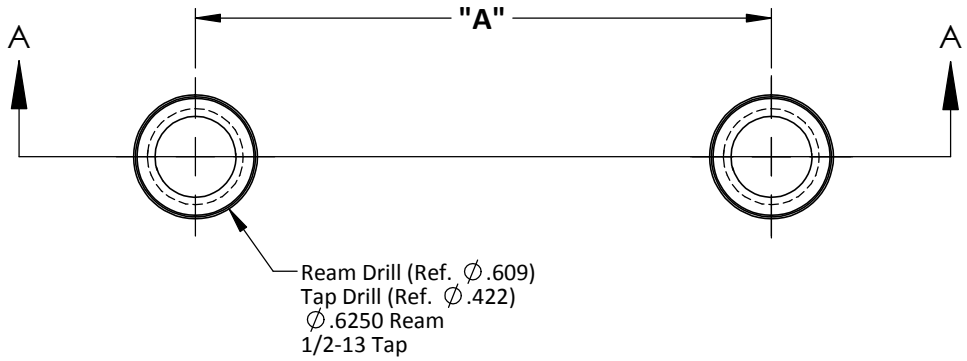
DO NOT SCALE DRAWING REV 1

This product may be covered by one or more patents or patent applications.
See <http://www.standardlifters.com/patents.html> for details.

Stock Guide-SG-B-E-O-1.65

STANDARD LIFTERS INC

Product Number	"A" Dim.
SG-B-E-O-1.65-2.92	1.500in [38.1mm]
SG-B-E-O-1.65-4.42	3.000in [76.2mm]
SG-B-E-O-1.65-5.92	4.500in [114.3mm]
SG-B-E-O-1.65-7.42	6.000in [152.4mm]
SG-B-E-O-1.65-8.92	7.500in [190.5mm]
SG-B-E-O-1.65-10.42	9.000in [228.6mm]
SG-B-E-O-1.65-13.42	12.000in [304.8mm]
SG-B-E-O-1.65-16.42	15.000in [381mm]



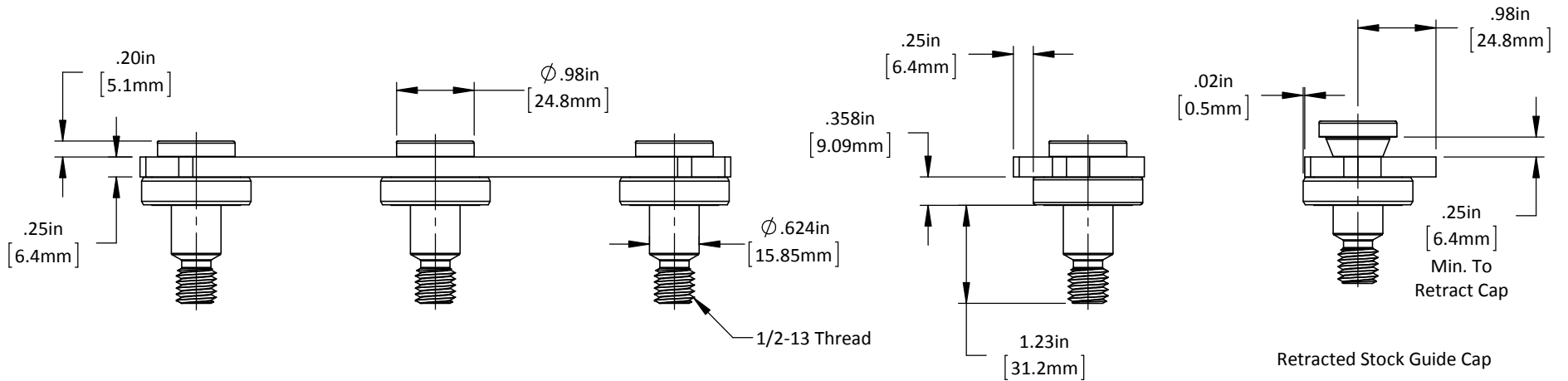
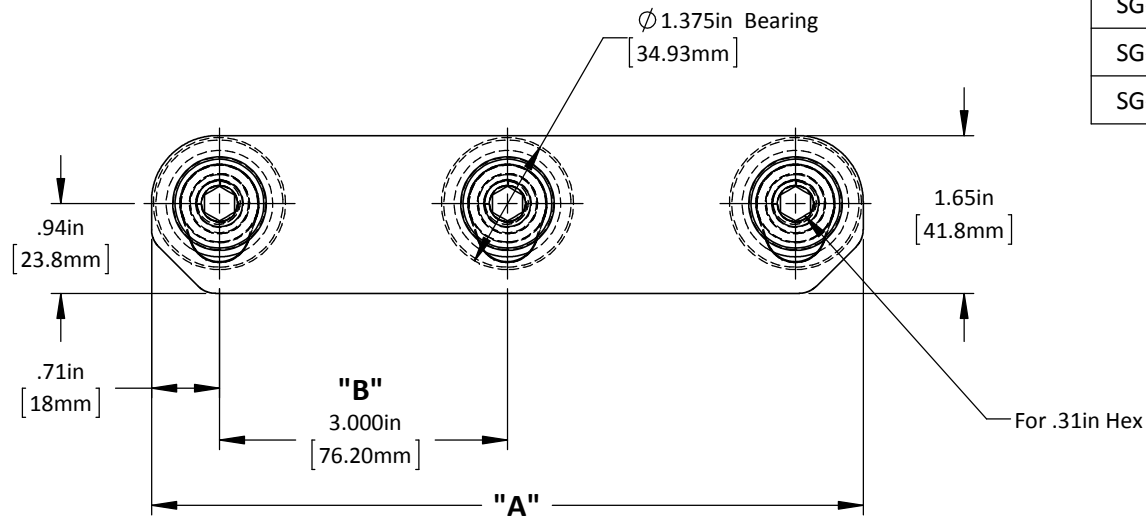
DO NOT SCALE DRAWING REV 2

This product may be covered by one or more patents or patent applications.
See <http://www.standardlifters.com/patents.html> for details.

Stock Guide-SG-B-E-O-1.65-Machining

STANDARD LIFTERS INC

Product Number	"A" Dim.	"B" Spaces	No. of Brgs.
SG-B-E-S-1.65-7.42	7.42in [188.4mm]	2	3
SG-B-E-S-1.65-10.42	10.42in [264.6mm]	3	4
SG-B-E-S-1.65-13.42	13.42in [340.8mm]	4	5
SG-B-E-S-1.65-16.42	16.42in [417mm]	5	6



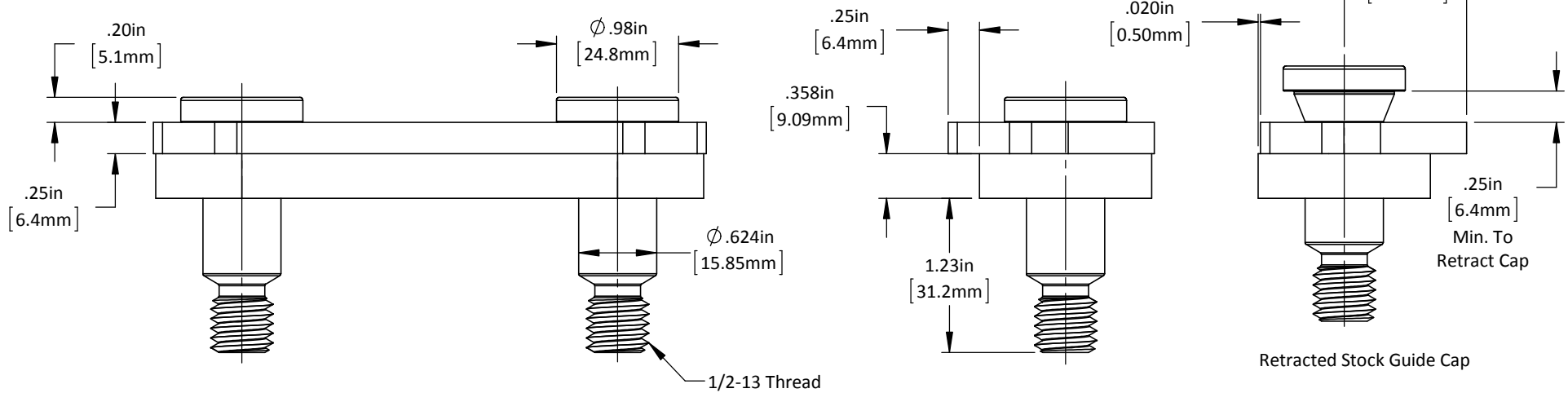
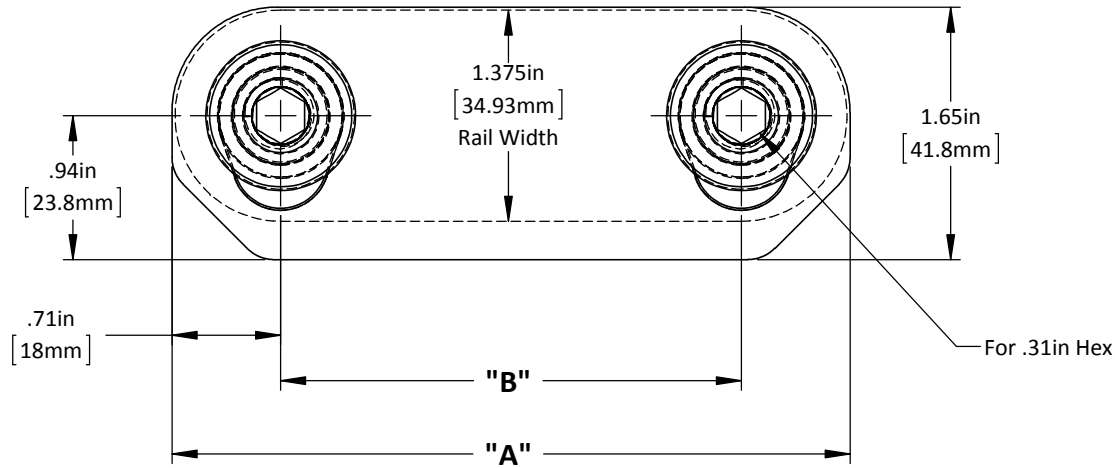
DO NOT SCALE DRAWING REV 1

This product may be covered by one or more patents or patent applications.
See <http://www.standardlifters.com/patents.html> for details.

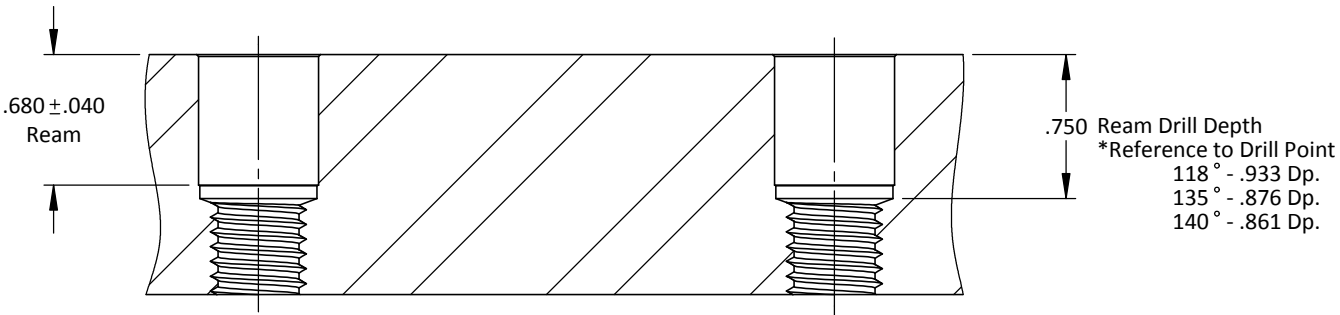
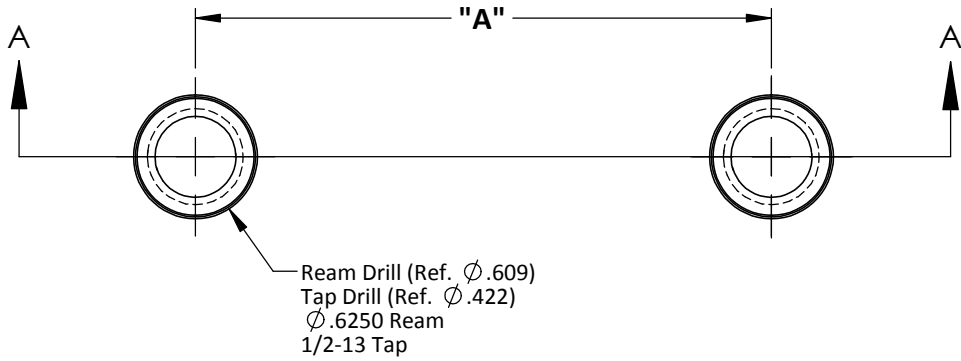
Stock Guide-SG-B-E-S-1.65

STANDARD LIFTERS INC

Product Number	"A" Dim.	"B" Dim.
SG-S-E-H-1.65-4.42	4.42in [112.2mm]	3.000in [76.2mm]
SG-S-E-H-1.65-5.92	5.92in [150.3mm]	4.500in [114.3mm]
SG-S-E-H-1.65-7.42	7.42in [188.4mm]	6.000in [152.4mm]
SG-S-E-H-1.65-8.92	8.92in [226.5mm]	7.500in [190.5mm]
SG-S-E-H-1.65-10.42	10.42in [264.6mm]	9.000in [228.6mm]
SG-S-E-H-1.65-13.42	13.42in [340.8mm]	12.000in [304.8mm]



Product Number	"A" Dim.
SG-S-E-H-1.65-4.42	3.000in [76.2mm]
SG-S-E-H-1.65-5.92	4.500in [114.3mm]
SG-S-E-H-1.65-7.42	6.000in [152.4mm]
SG-S-E-H-1.65-8.92	7.500in [190.5mm]
SG-S-E-H-1.65-10.42	9.000in [228.6mm]
SG-S-E-H-1.65-13.42	12.000in [304.8mm]



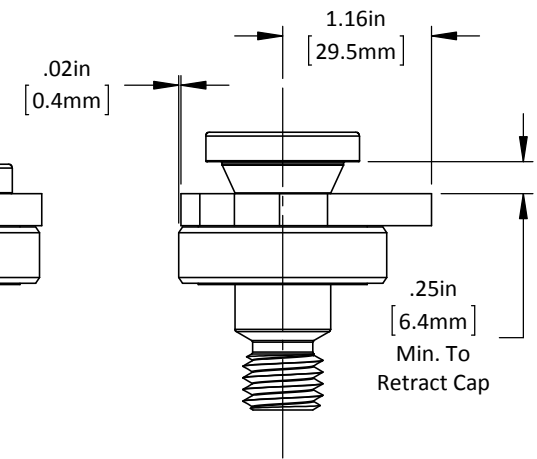
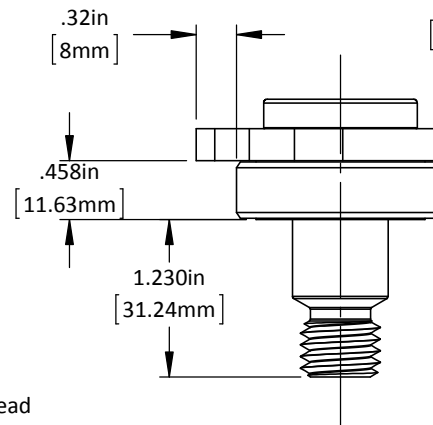
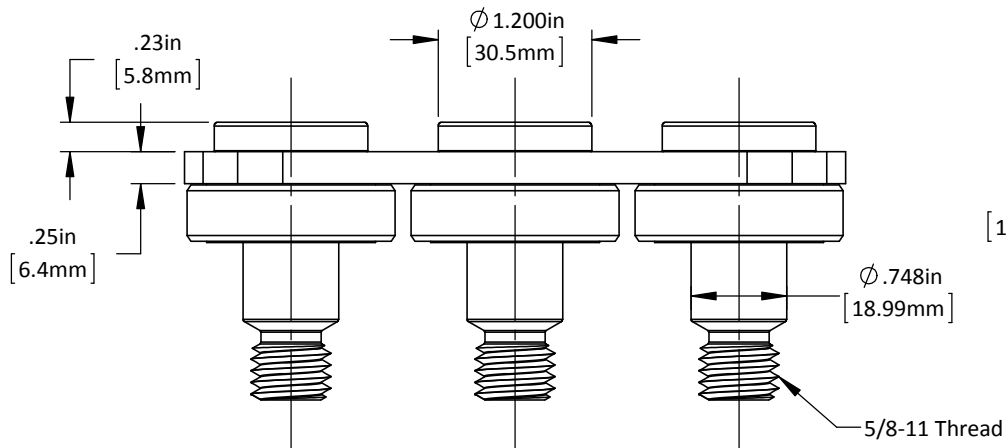
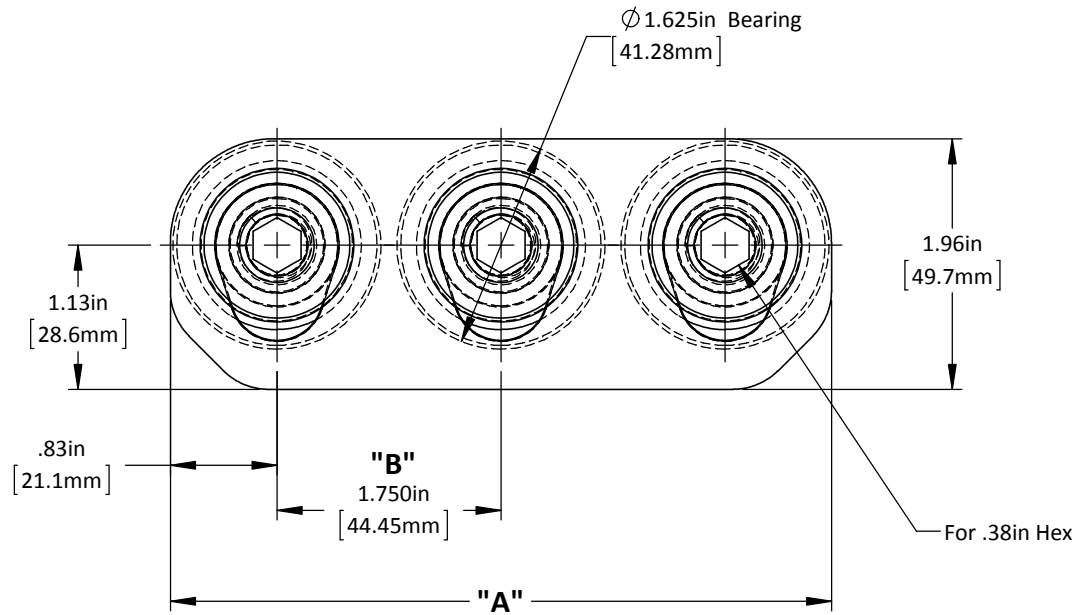
DO NOT SCALE DRAWING REV 2

This product may be covered by one or more patents or patent applications.
See <http://www.standardlifters.com/patents.html> for details.

Stock Guide-SG-S-E-H-1.65-Machining

STANDARD LIFTERS INC

Product Number	"A" Dim.	"B" Spaces	No. of Brgs.
SG-B-E-C-1.96-5.17	5.17in [131.2mm]	2	3
SG-B-E-C-1.96-6.92	6.92in [175.7mm]	3	4
SG-B-E-C-1.96-8.67	8.67in [220.1mm]	4	5
SG-B-E-C-1.96-10.42	10.42in [264.6mm]	5	6



Retracted Stock Guide Cap

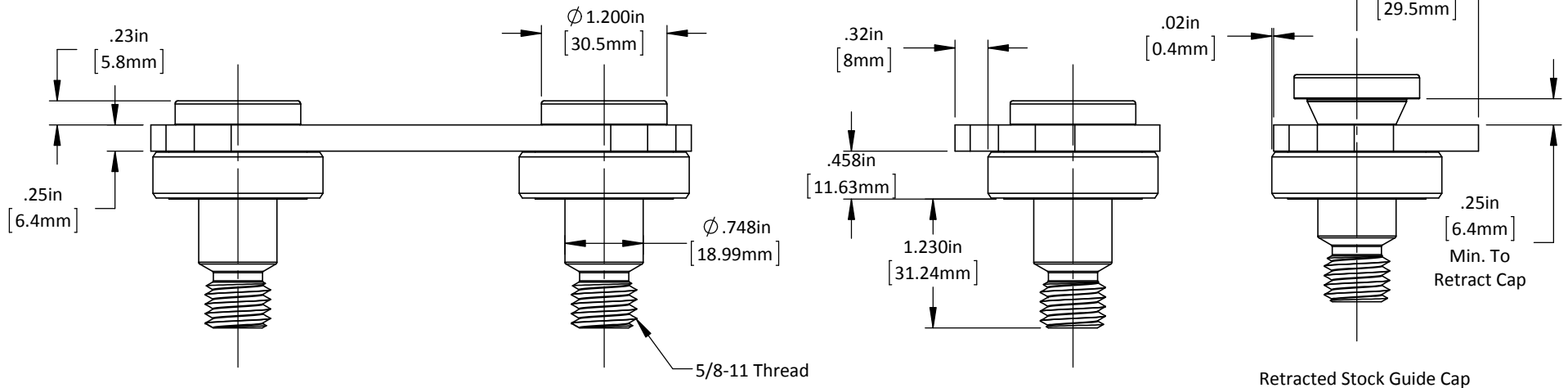
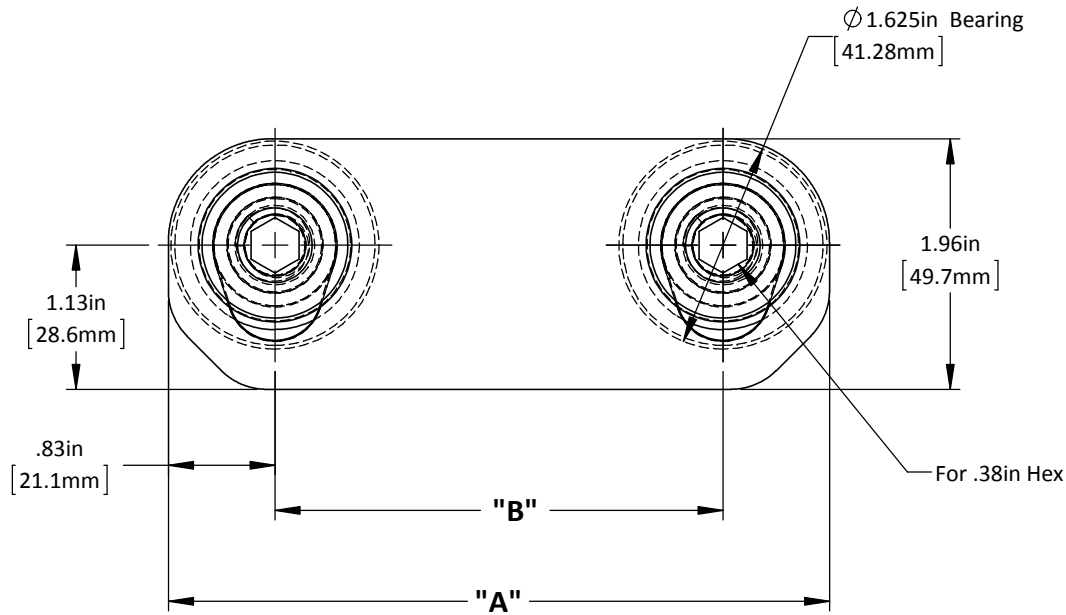
DO NOT SCALE DRAWING REV 1

This product may be covered by one or more patents or patent applications. See <http://www.standardlifters.com/patents.html> for details.

Stock Guide-SG-B-E-C-1.96

STANDARD LIFTERS INC

Product Number	"A" Dim.	"B" Dim.
SG-B-E-O-1.96-3.42	3.42in [86.8mm]	1.750in [44.45mm]
SG-B-E-O-1.96-5.17	5.17in [131.2mm]	3.500in [88.9mm]
SG-B-E-O-1.96-6.92	6.92in [175.7mm]	5.250in [133.35mm]
SG-B-E-O-1.96-8.67	8.67in [220.1mm]	7.000in [177.8mm]
SG-B-E-O-1.96-10.42	10.42in [264.6mm]	8.750in [222.25mm]
SG-B-E-O-1.96-12.17	12.17in [309mm]	10.500in [266.8mm]
SG-B-E-O-1.96-15.67	15.67in [397.9mm]	14.000in [355.6mm]
SG-B-E-O-1.96-19.17	19.17in [486.8mm]	17.500in [444.5mm]



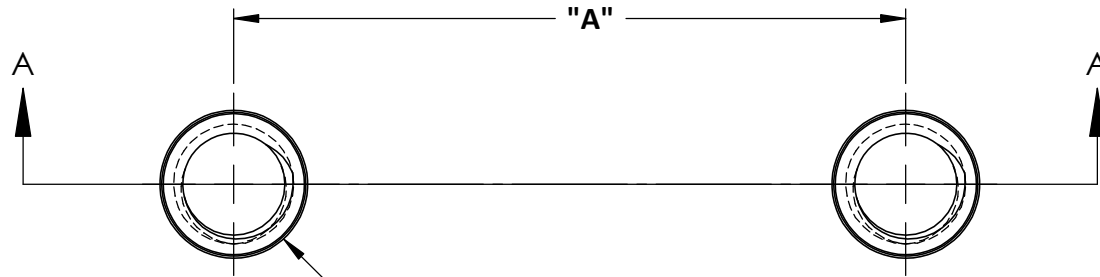
DO NOT SCALE DRAWING REV 1

This product may be covered by one or more patents or patent applications.
See <http://www.standardlifters.com/patents.html> for details.

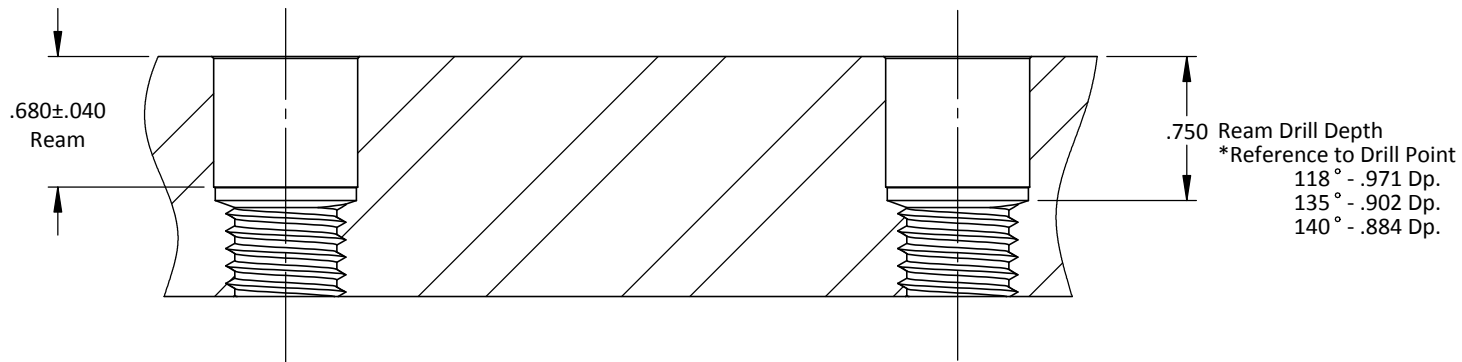
Stock Guide-SG-B-E-0-1.96

STANDARD LIFTERS INC

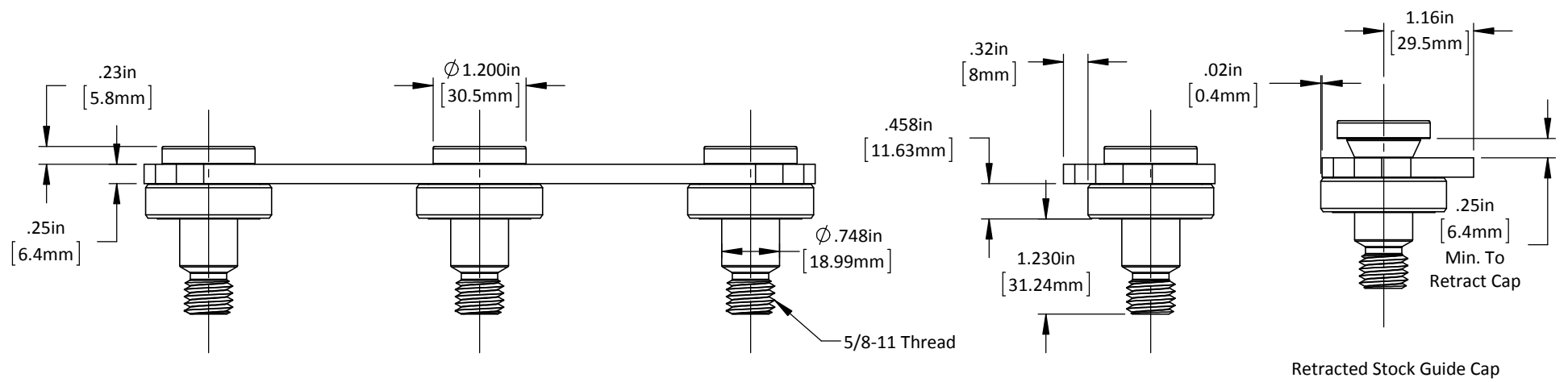
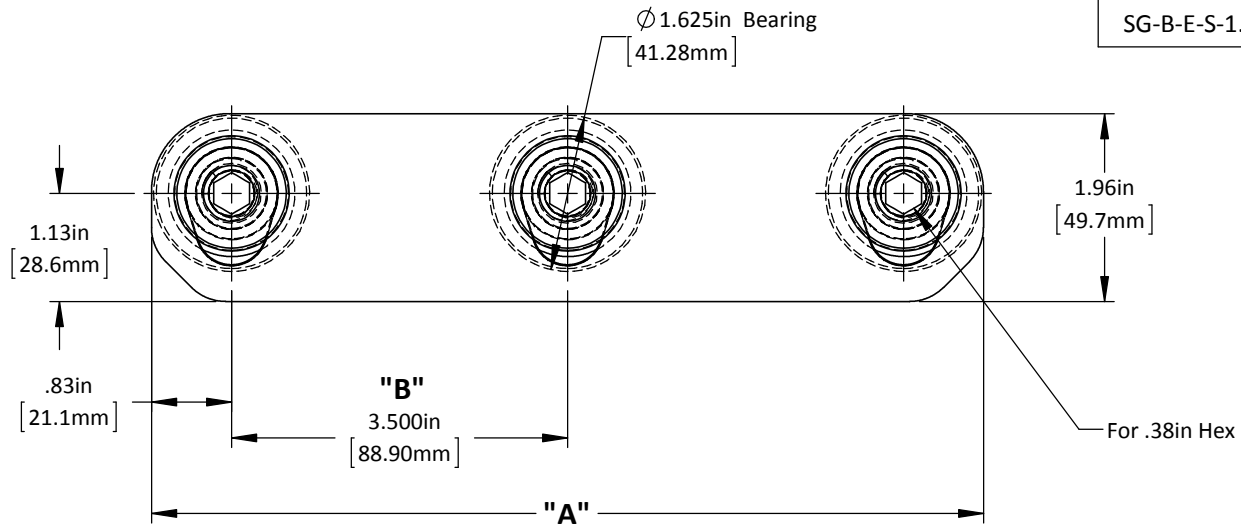
Product Number	"A" Dim.
SG-B-E-O-1.96-3.42	1.750in [44.45mm]
SG-B-E-O-1.96-5.17	3.500in [88.9mm]
SG-B-E-O-1.96-6.92	5.250in [133.35mm]
SG-B-E-O-1.96-8.67	7.000in [177.8mm]
SG-B-E-O-1.96-10.42	8.750in [222.25mm]
SG-B-E-O-1.96-12.17	10.500in [266.8mm]
SG-B-E-O-1.96-15.67	14.000in [355.6mm]
SG-B-E-O-1.96-19.17	17.500in [444.5mm]



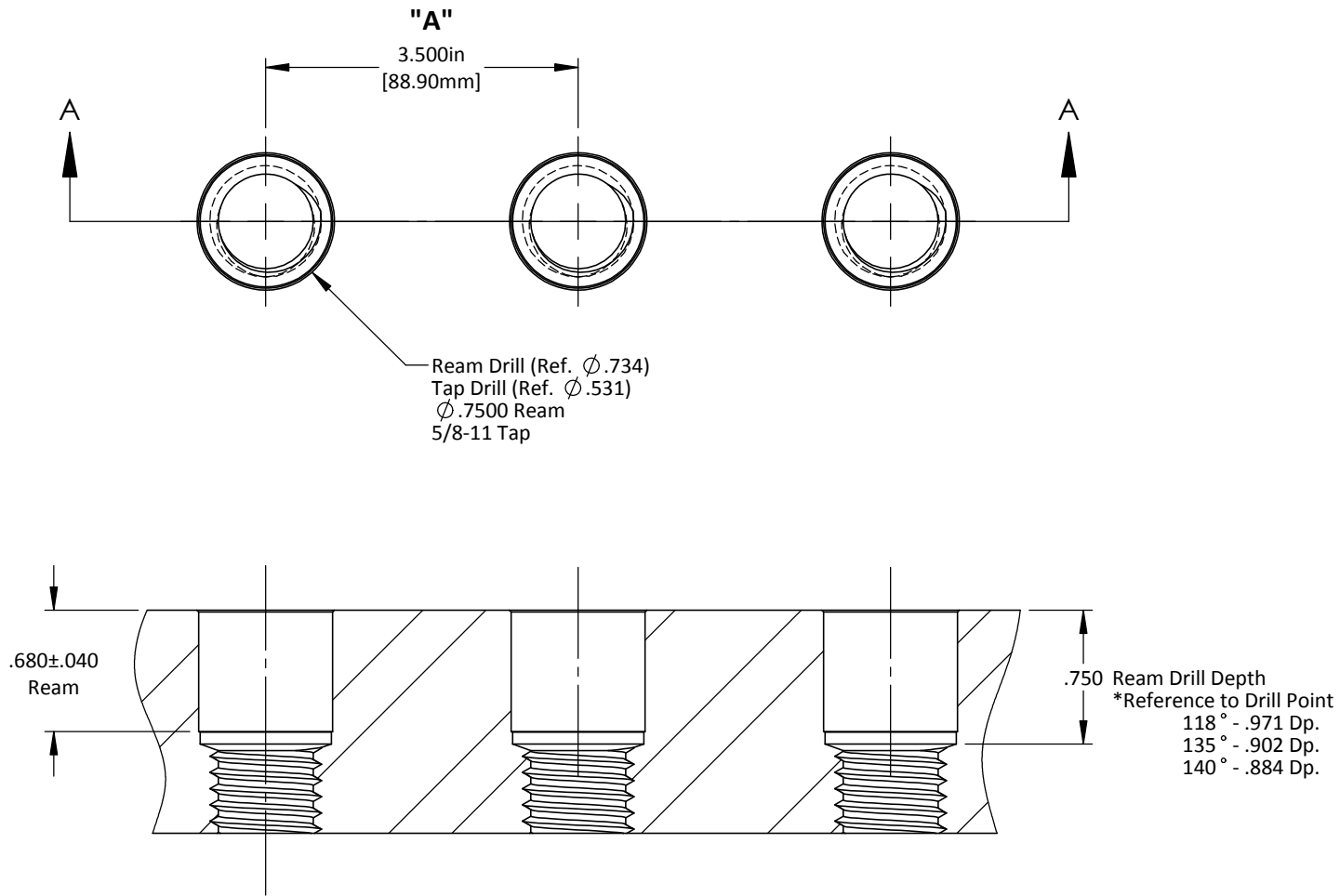
Ream Drill (Ref. ϕ .734)
 Tap Drill (Ref. ϕ .531)
 ϕ .7500 Ream
 5/8-11 Tap



Product Number	"A" Dim.	"B" Spaces	No. of Brgs.
SG-B-E-S-1.96-8.67	8.67in [220.1mm]	2	3
SG-B-E-S-1.96-12.17	12.17in [309mm]	3	4
SG-B-E-S-1.96-15.67	15.67in [397.9mm]	4	5
SG-B-E-S-1.96-19.17	19.17in [486.8mm]	5	6



Product Number	"A" Spaces	No. of Holes
SG-B-E-S-1.96-8.67	2	3
SG-B-E-S-1.96-12.17	3	4
SG-B-E-S-1.96-15.67	4	5
SG-B-E-S-1.96-19.17	5	6



DO NOT SCALE DRAWING

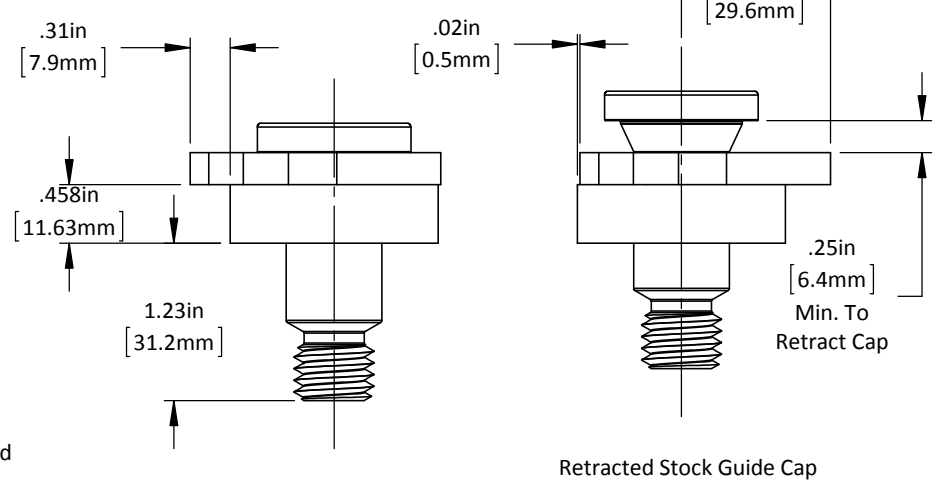
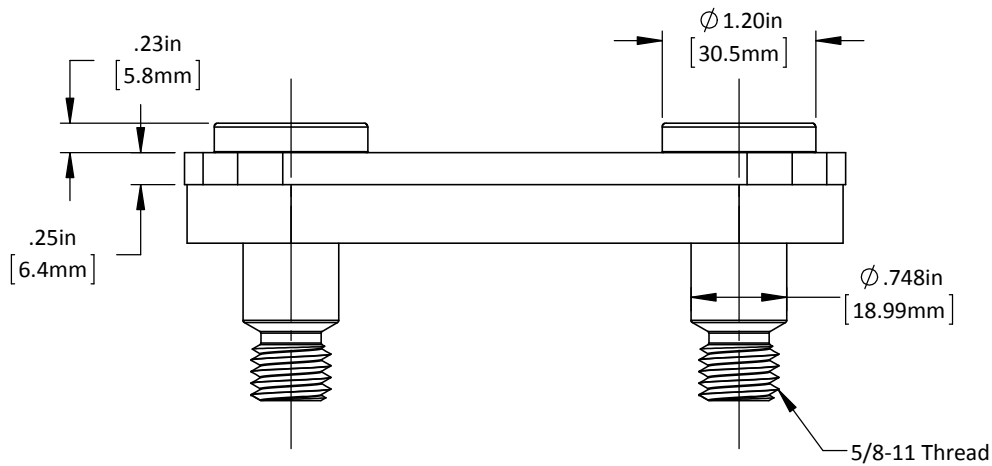
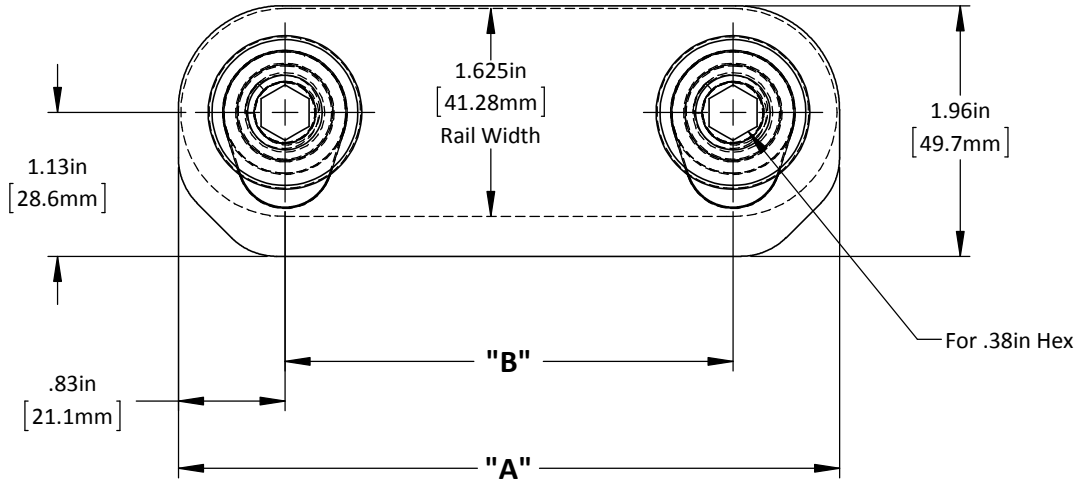
REV 2

Stock Guide-SG-B-E-S-1.96-Machining

This product may be covered by one or more patents or patent applications.
See <http://www.standardlifters.com/patents.html> for details.

STANDARD LIFTERS INC

Product Number	"A" Dim.	"B" Dim.
SG-S-E-H-1.96-5.17	5.17in [131.2mm]	3.500in [88.9mm]
SG-S-E-H-1.96-6.92	6.92in [175.7mm]	5.250in [133.35mm]
SG-S-E-H-1.96-8.67	8.67in [220.1mm]	7.000in [177.8mm]
SG-S-E-H-1.96-10.42	10.42in [264.6mm]	8.750in [222.25mm]
SG-S-E-H-1.96-12.17	12.17in [309mm]	10.500in [266.8mm]
SG-S-E-H-1.96-15.67	15.67in [397.9mm]	14.000in [355.6mm]



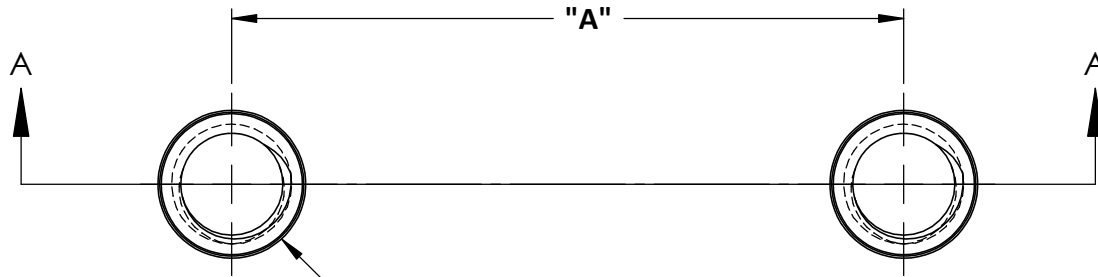
DO NOT SCALE DRAWING REV 1

This product may be covered by one or more patents or patent applications.
See <http://www.standardlifters.com/patents.html> for details.

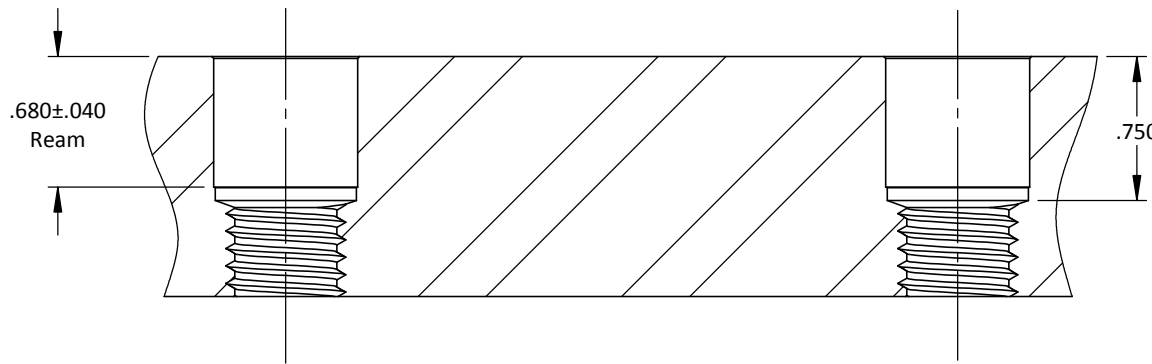
Stock Guide-SG-S-E-H-1.96

STANDARD LIFTERS INC

Product Number	"A" Dim.
SG-S-E-H-1.96-5.17	3.500in [88.9mm]
SG-S-E-H-1.96-6.92	5.250in [133.35mm]
SG-S-E-H-1.96-8.67	7.000in [177.8mm]
SG-S-E-H-1.96-10.42	8.750in [222.25mm]
SG-S-E-H-1.96-12.17	10.500in [266.8mm]
SG-S-E-H-1.96-15.67	14.000in [355.6mm]



Ream Drill (Ref. ϕ .734)
 Tap Drill (Ref. ϕ .531)
 ϕ .7500 Ream
 5/8-11 Tap



.750 Ream Drill Depth
 *Reference to Drill Point
 118° - .971 Dp.
 135° - .902 Dp.
 140° - .884 Dp.

DO NOT SCALE DRAWING	REV 2	Stock Guide-SG-S-E-H-1.96-Machining
This product may be covered by one or more patents or patent applications. See http://www.standardlifters.com/patents.html for details.		