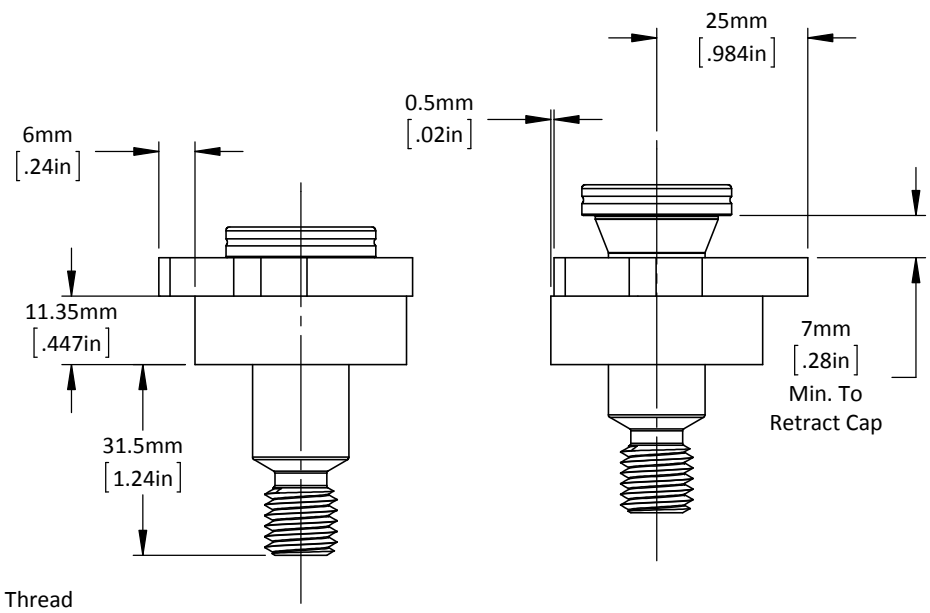
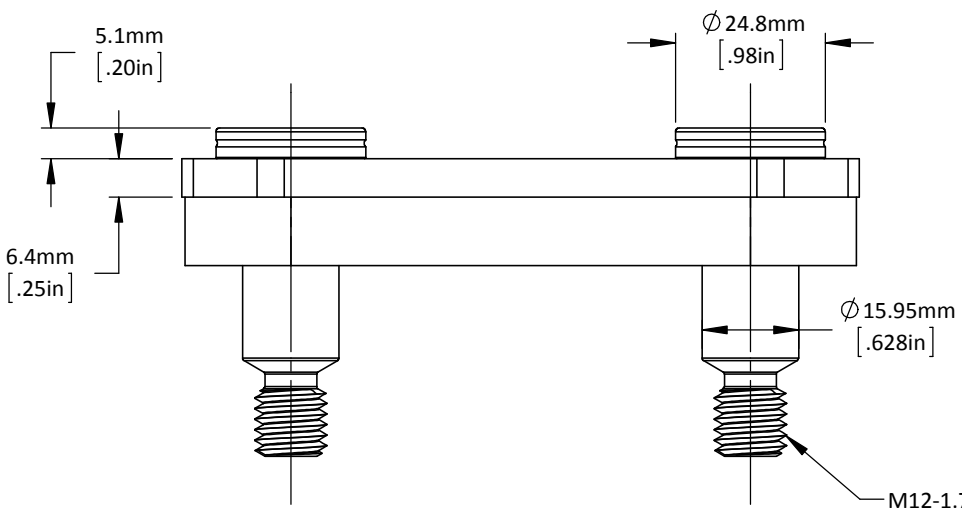
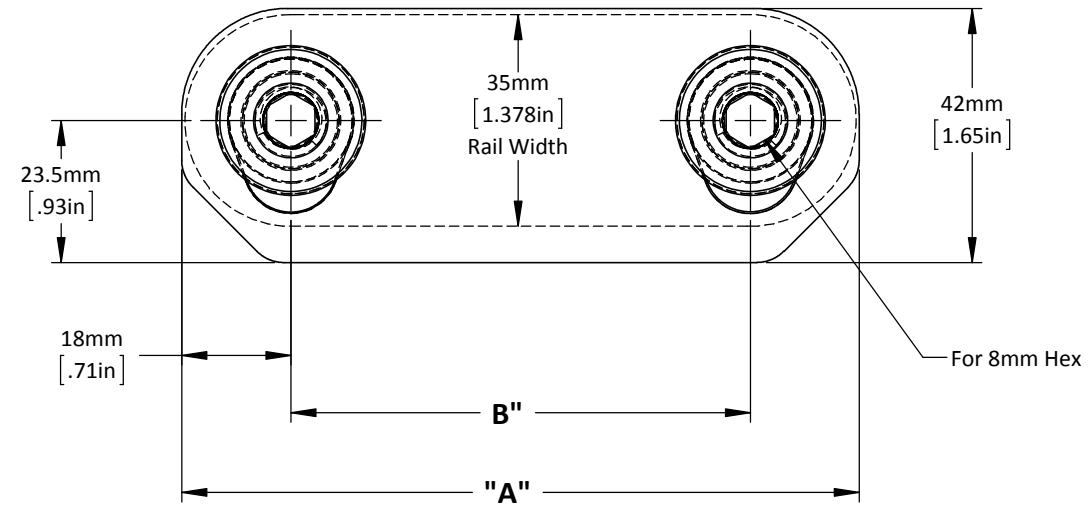


Product Number	"A" Dim.	"B" Dim.
SG-S-M-H-42-112	112mm [4.41in]	76mm [2.992in]
SG-S-M-H-42-150	150mm [5.91in]	114mm [4.488in]
SG-S-M-H-42-188	188mm [7.40in]	152mm [5.984in]
SG-S-M-H-42-226	226mm [8.90in]	190mm [7.480in]
SG-S-M-H-42-264	264mm [10.39in]	228mm [8.976in]
SG-S-M-H-42-340	340mm [13.39in]	304mm [11.969in]



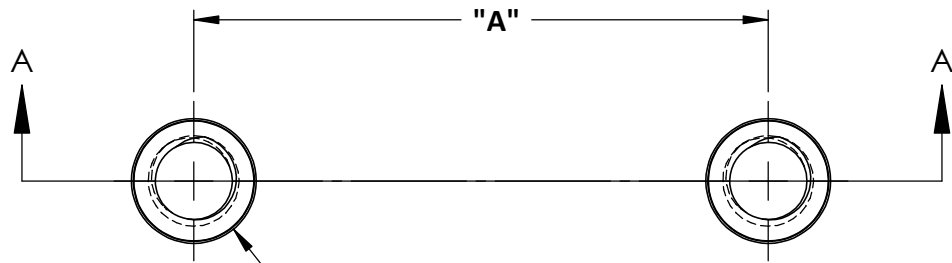
DO NOT SCALE DRAWING REV 1

This product may be covered by one or more patents or patent applications.
See <http://www.standardlifters.com/patents.html> for details.

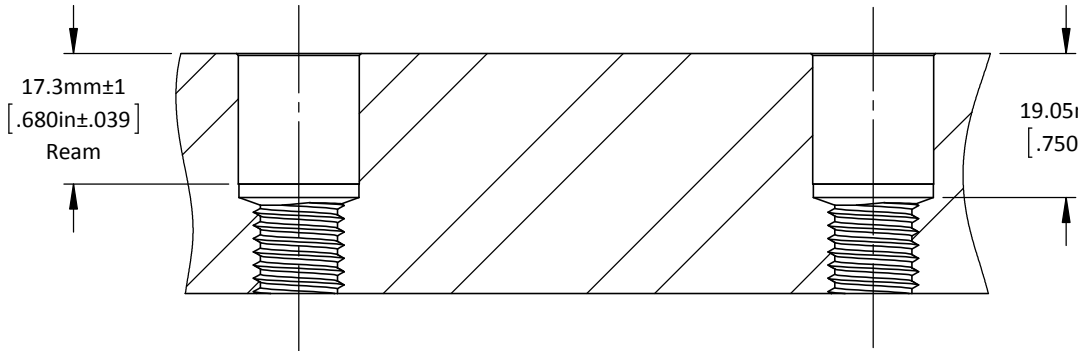
Stock Guide-SG-S-M-H-42

STANDARD LIFTERS INC

Product Number	"A" Dim.
SG-S-M-H-42-112	76mm [2.992in]
SG-S-M-H-42-150	114mm [4.488in]
SG-S-M-H-42-188	152mm [5.984in]
SG-S-M-H-42-226	190mm [7.480in]
SG-S-M-H-42-264	228mm [8.976in]
SG-S-M-H-42-340	304mm [11.969in]



Ream Drill (Ref. ϕ 15.88mm [.625in])
 Tap Drill (Ref. ϕ 10.20mm [.402in])
 ϕ 16.000mm [.6300in] Ream
 M12 X 1.75 Tap



19.05mm Ream Drill Depth
 [.750in]
 *Reference to Drill Point
 118° - 23.8mm [.938in] Dp.
 135° - 22.3mm [.879in] Dp.
 140° - 21.9mm [.864in] Dp.

DO NOT SCALE DRAWING REV 2
 This product may be covered by one or more patents or patent applications.
 See <http://www.standardlifters.com/patents.html> for details.

Stock Guide-SG-S-M-H-42-Machining
STANDARD LIFTERS INC