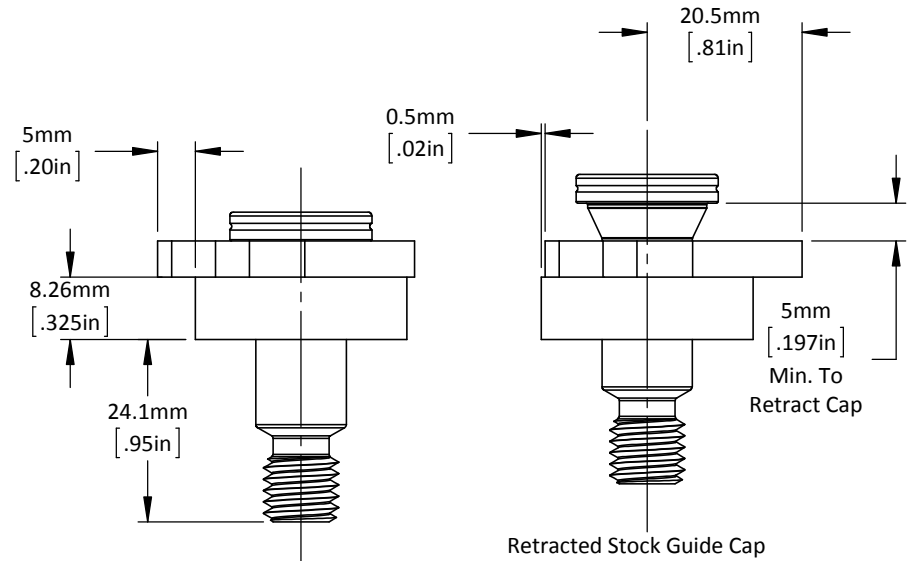
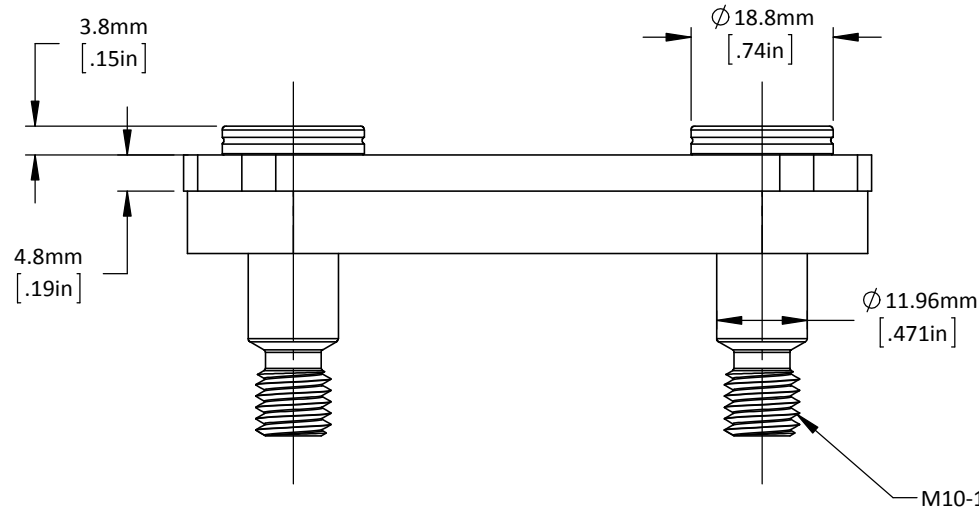
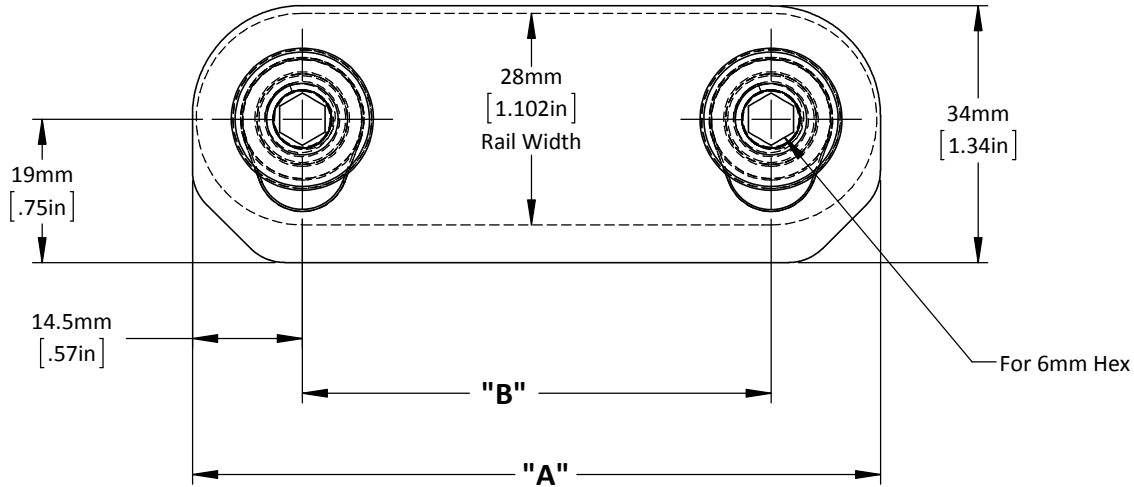
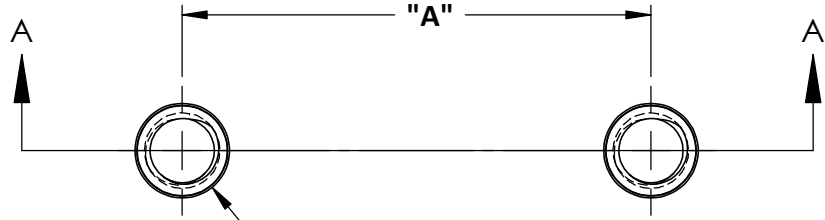


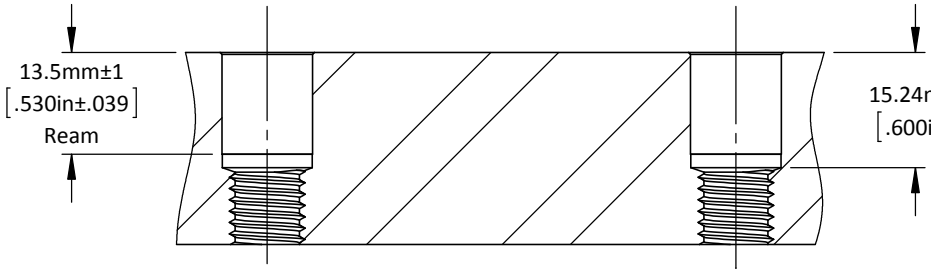
Product Number	"A" Dim.	"B" Dim.
SG-S-M-H-34-91	91mm [3.58in]	62mm [2.441in]
SG-S-M-H-34-122	122mm [4.80in]	93mm [3.661in]
SG-S-M-H-34-153	153mm [6.02in]	124mm [4.882in]
SG-S-M-H-34-184	184mm [7.24in]	155mm [6.102in]
SG-S-M-H-34-215	215mm [8.46in]	186mm [7.323in]



Product Number	"A" Dim.
SG-S-M-H-34-91	62mm [2.441in]
SG-S-M-H-34-122	93mm [3.661in]
SG-S-M-H-34-153	124mm [4.882in]
SG-S-M-H-34-184	155mm 6.102in]
SG-S-M-H-34-215	186mm [7.323in]



Ream Drill (Ref.  $\phi$  11.91mm [.469in])  
 Tap Drill (Ref.  $\phi$  8.50mm [.335in])  
 $\phi$  12.000mm [.4724in] Ream  
 M10 X 1.5 Tap



13.5mm $\pm$ 1  
 [.530in $\pm$ .039]  
 Ream

15.24mm Ream Drill Depth  
 [.600in] \*Reference to Drill Point  
 118° - 18.8mm [.741in] Dp.  
 135° - 17.7mm [.697in] Dp.  
 140° - 17.4mm [.685in] Dp.

DO NOT SCALE DRAWING    REV 2

This product may be covered by one or more patents or patent applications.  
 See <http://www.standardlifters.com/patents.html> for details.

**Stock Guide-SG-S-M-H-34-Machining**  
**STANDARD LIFTERS INC**