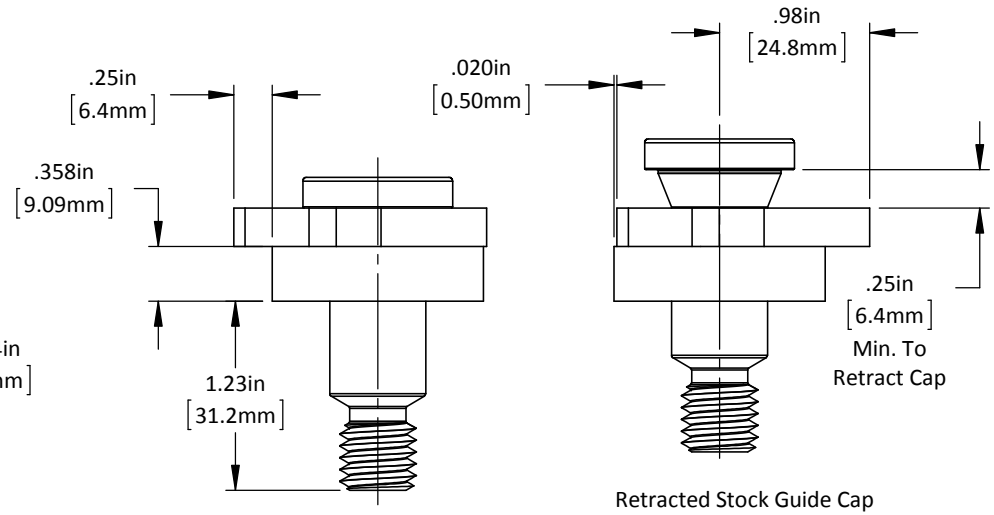
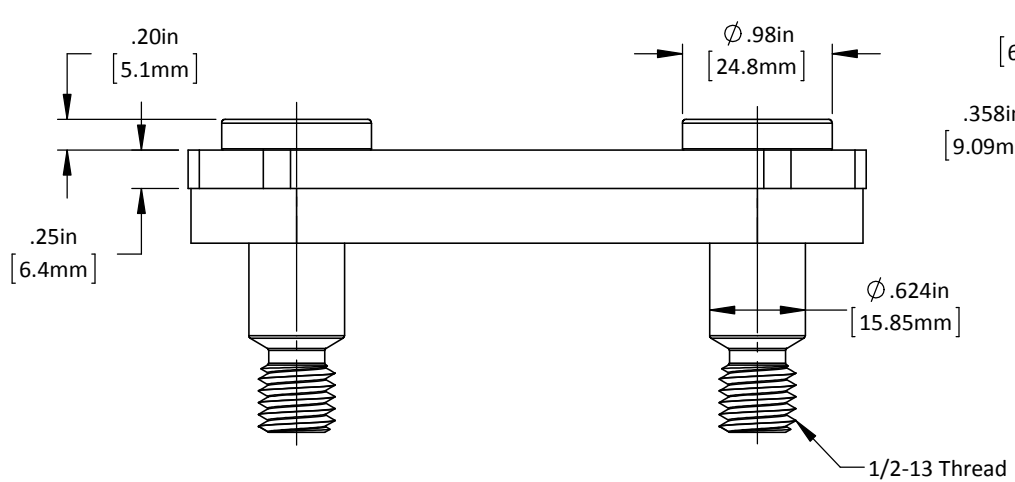
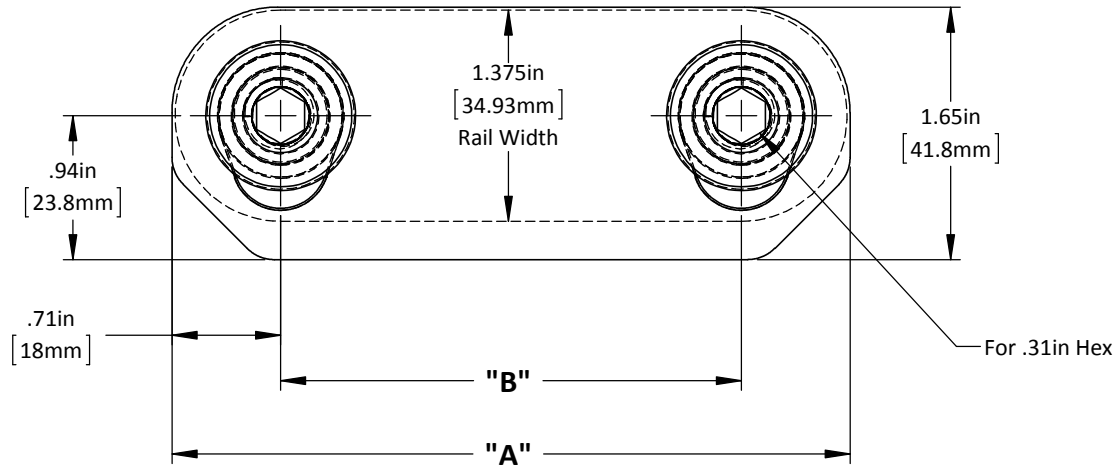


Product Number	"A" Dim.	"B" Dim.
SG-S-E-H-1.65-4.42	4.42in [112.2mm]	3.000in [76.2mm]
SG-S-E-H-1.65-5.92	5.92in [150.3mm]	4.500in [114.3mm]
SG-S-E-H-1.65-7.42	7.42in [188.4mm]	6.000in [152.4mm]
SG-S-E-H-1.65-8.92	8.92in [226.5mm]	7.500in [190.5mm]
SG-S-E-H-1.65-10.42	10.42in [264.6mm]	9.000in [228.6mm]
SG-S-E-H-1.65-13.42	13.42in [340.8mm]	12.000in [304.8mm]



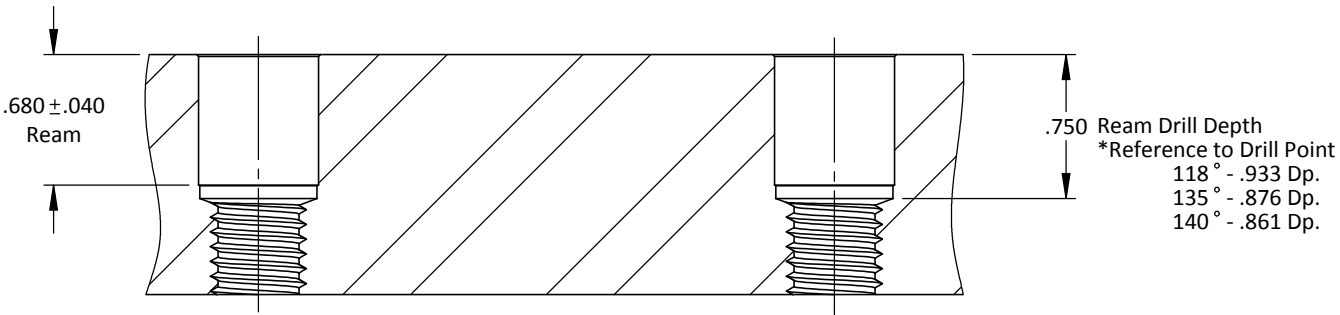
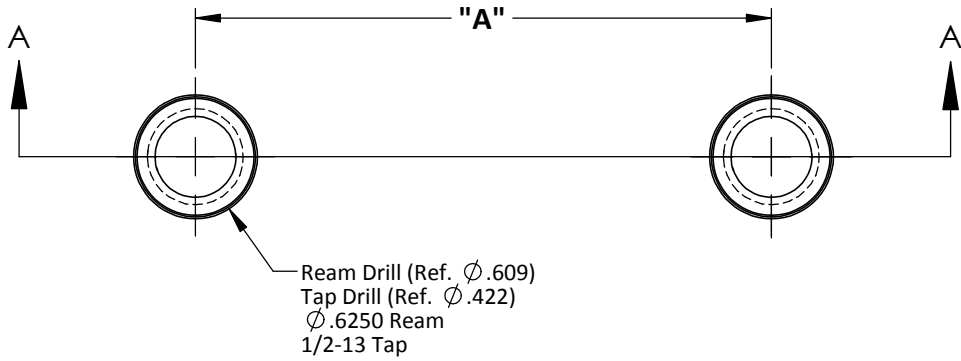
DO NOT SCALE DRAWING REV 1

This product may be covered by one or more patents or patent applications.
See <http://www.standardlifters.com/patents.html> for details.

Stock Guide-SG-S-E-H-1.65

STANDARD LIFTERS INC

Product Number	"A" Dim.
SG-S-E-H-1.65-4.42	3.000in [76.2mm]
SG-S-E-H-1.65-5.92	4.500in [114.3mm]
SG-S-E-H-1.65-7.42	6.000in [152.4mm]
SG-S-E-H-1.65-8.92	7.500in [190.5mm]
SG-S-E-H-1.65-10.42	9.000in [228.6mm]
SG-S-E-H-1.65-13.42	12.000in [304.8mm]



DO NOT SCALE DRAWING REV 2

This product may be covered by one or more patents or patent applications.
 See <http://www.standardlifters.com/patents.html> for details.

Stock Guide-SG-S-E-H-1.65-Machining

STANDARD LIFTERS INC