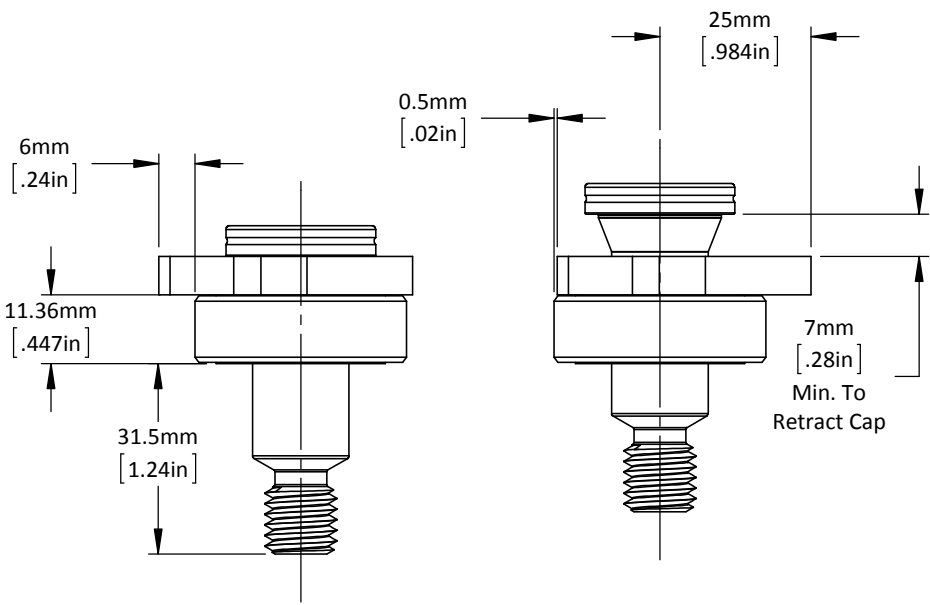
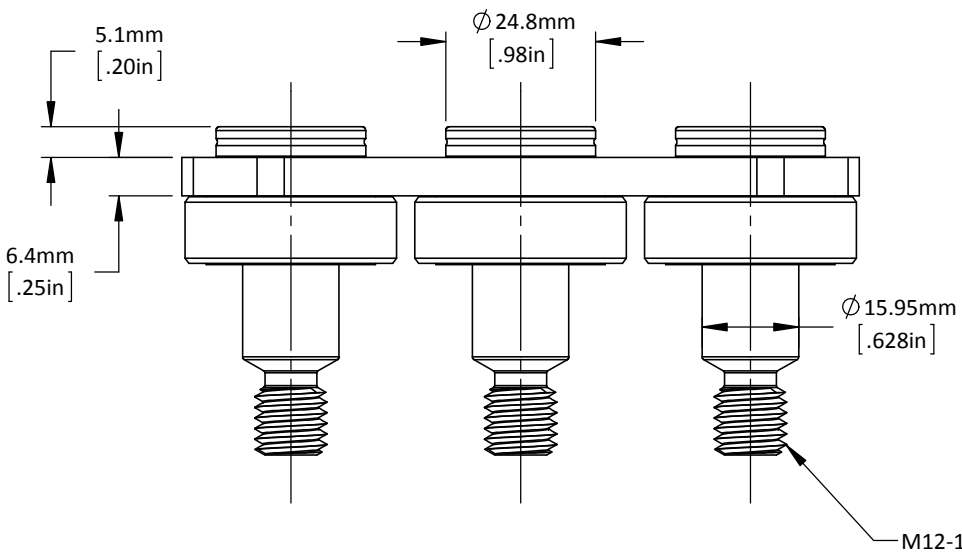
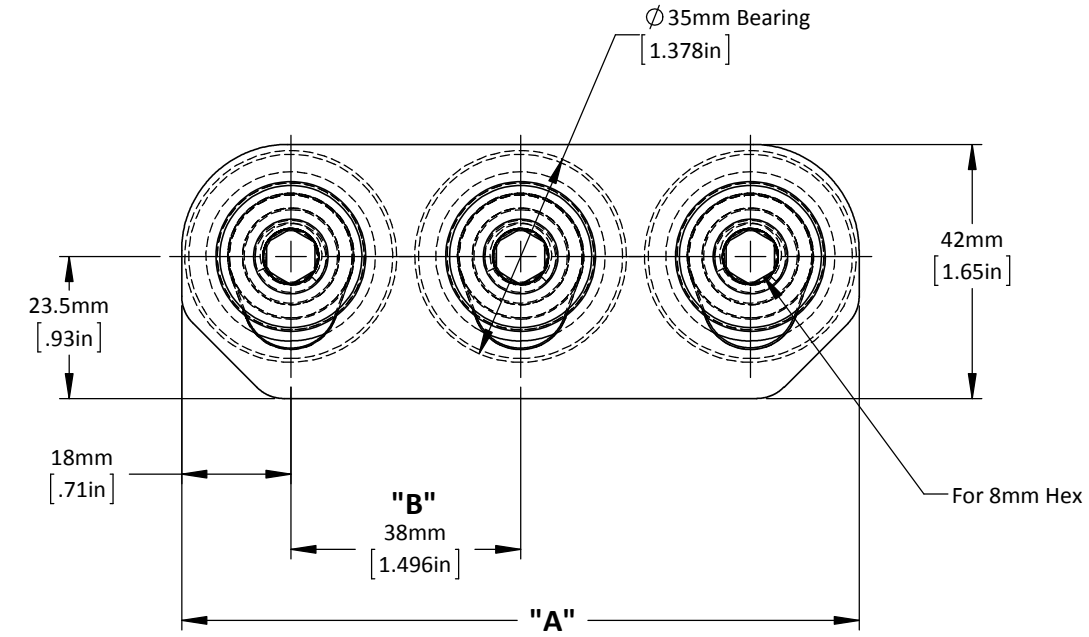
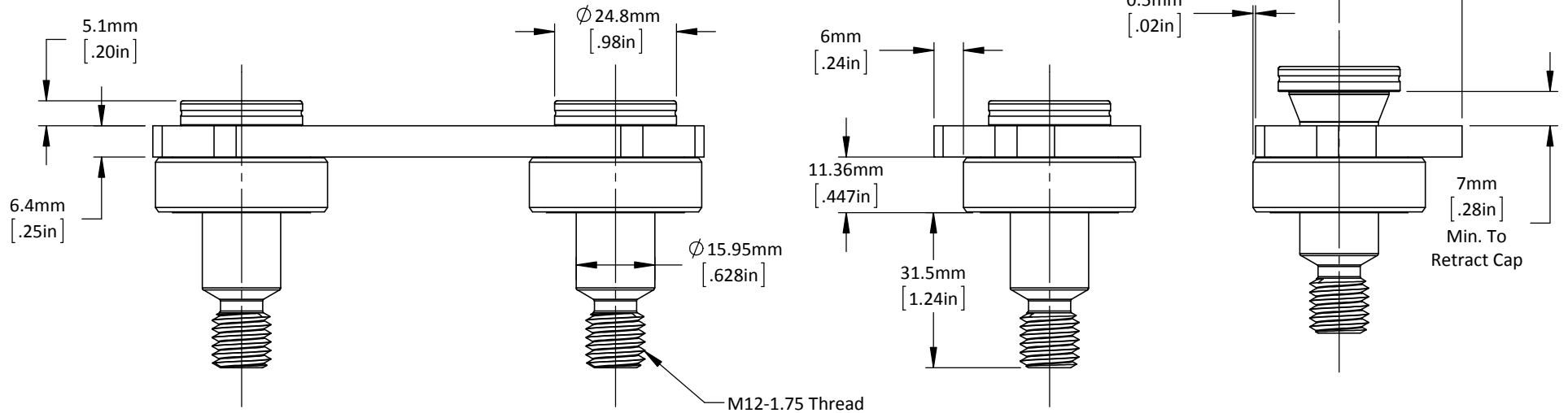
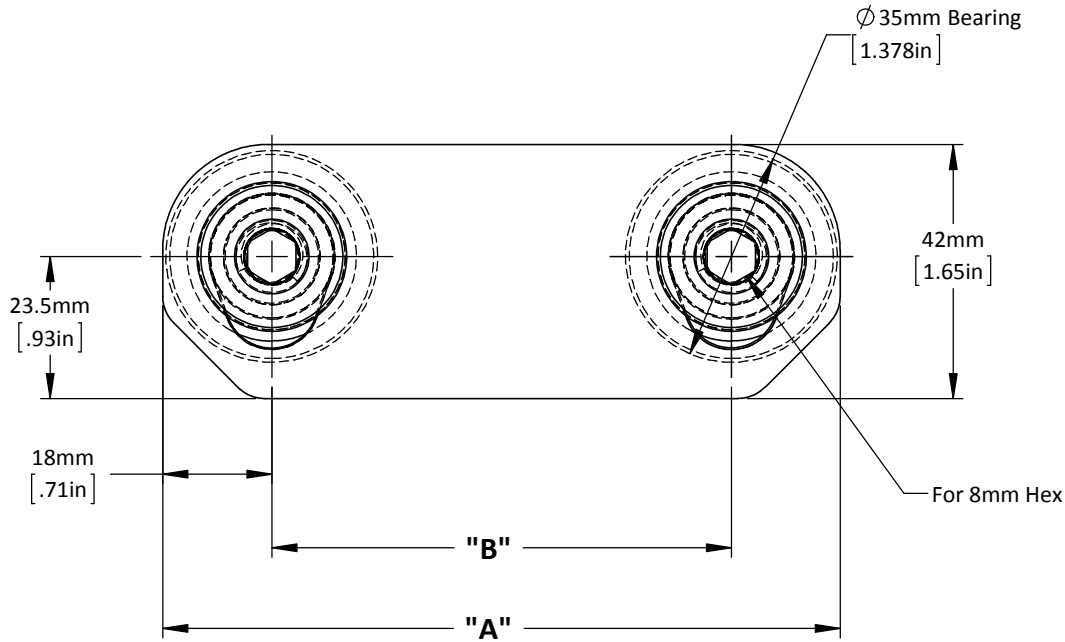


Product Number	"A" Dim.	"B" Spaces	No. of Brgs.
SG-B-M-C-42-112	112mm [4.41in]	2	3
SG-B-M-C-42-150	150mm [5.91in]	3	4
SG-B-M-C-42-188	188mm [7.40in]	4	5
SG-B-M-C-42-226	226mm [8.90in]	5	6

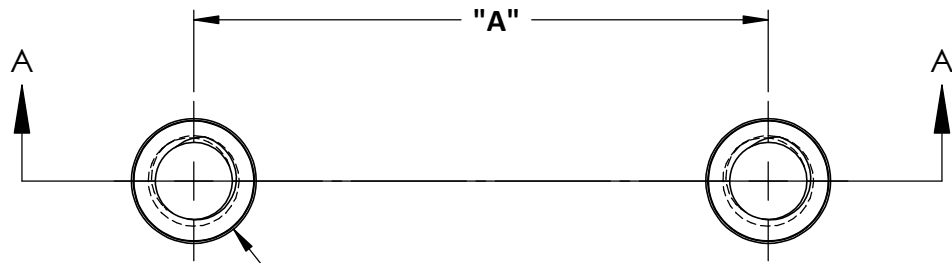




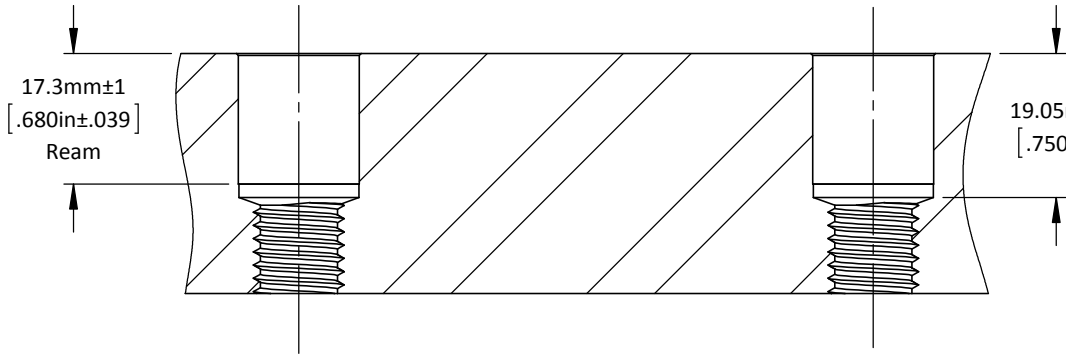
Product Number	"A" Dim.	"B" Dim.
SG-B-M-O-42-74	74mm [2.91in]	38mm [1.496in]
SG-B-M-O-42-112	112mm [4.41in]	76mm [2.992in]
SG-B-M-O-42-150	150mm [5.91in]	114mm [4.488in]
SG-B-M-O-42-188	188mm [7.40in]	152mm [5.984in]
SG-B-M-O-42-226	226mm [8.90in]	190mm [7.480in]
SG-B-M-O-42-264	264mm [10.39in]	228mm [8.976in]
SG-B-M-O-42-340	340mm [13.39in]	304mm [11.969in]
SG-B-M-O-42-416	416mm [16.38in]	380mm [14.961in]



Product Number	"A" Dim.
SG-B-M-O-42-74	38mm [1.496in]
SG-B-M-O-42-112	76mm [2.992in]
SG-B-M-O-42-150	114mm [4.488in]
SG-B-M-O-42-188	152mm [5.984in]
SG-B-M-O-42-226	190mm [7.480in]
SG-B-M-O-42-264	228mm [8.976in]
SG-B-M-O-42-340	304mm [11.969in]
SG-B-M-O-42-416	380mm [14.961in]



Ream Drill (Ref.  $\phi$  15.88mm [.625in])  
 Tap Drill (Ref.  $\phi$  10.20mm [.402in])  
 $\phi$  16.000mm [.6300in] Ream  
 M12 X 1.75 Tap



Ream Drill Depth  
 \*Reference to Drill Point  
 118° - 23.8mm [.938in] Dp.  
 135° - 22.3mm [.879in] Dp.  
 140° - 21.9mm [.864in] Dp.

DO NOT SCALE DRAWING    REV 2  
 This product may be covered by one or more patents or patent applications.  
 See <http://www.standardlifters.com/patents.html> for details.

**Stock Guide-SG-B-M-O-42-Machining**  
**STANDARD LIFTERS INC**

Product Number	"A" Dim.	"B" Spaces	No. of Brgs.
SG-B-M-S-42-188	188mm [7.40in]	2	3
SG-B-M-S-42-264	264mm [10.39in]	3	4
SG-B-M-S-42-340	340mm [13.39in]	4	5
SG-B-M-S-42-416	416mm [16.38in]	5	6

