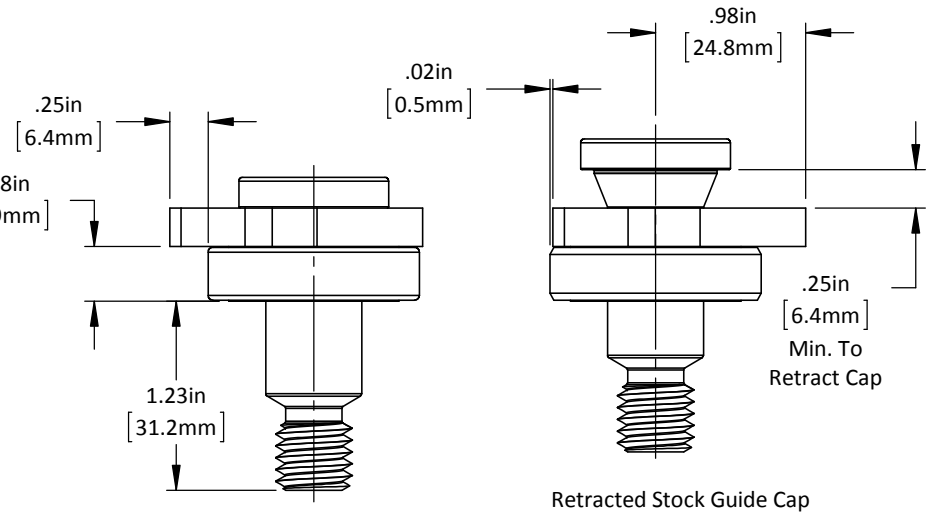
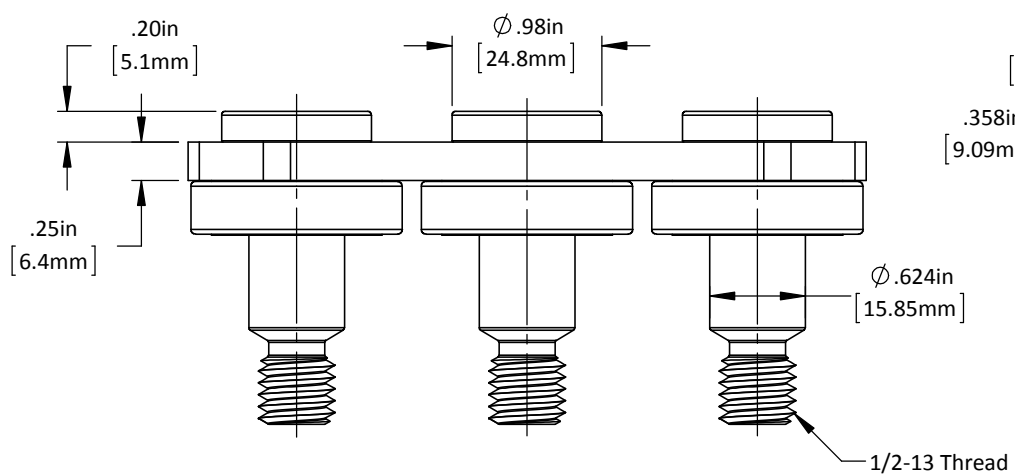
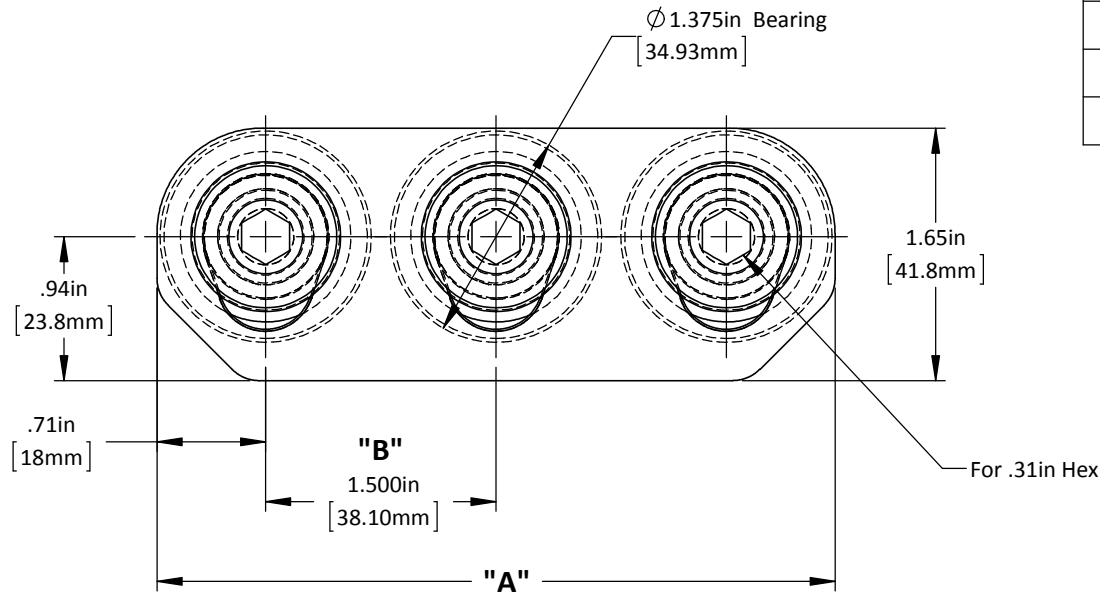
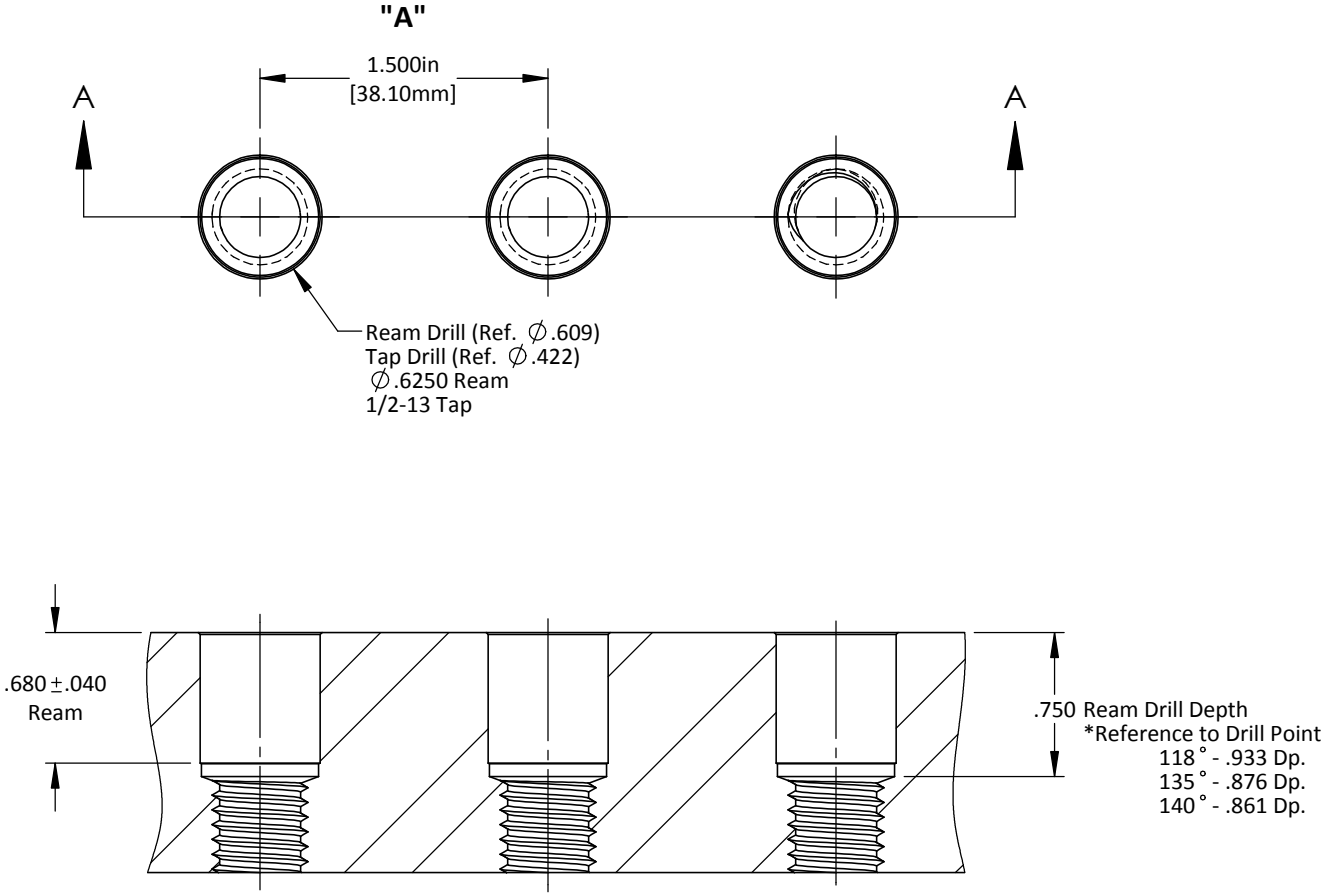


Product Number	"A" Dim.	"B" Spaces	No. of Brgs.
SG-B-E-C-1.65-4.42	4.42in [112.2mm]	2	3
SG-B-E-C-1.65-5.92	5.92in [150.3mm]	3	4
SG-B-E-C-1.65-7.42	7.42in [188.4mm]	4	5
SG-B-E-C-1.65-8.92	8.92in [226.5mm]	5	6



Retracted Stock Guide Cap

Product Number	"A" Spaces	No. of Holes
SG-B-E-C-1.65-4.42	2	3
SG-B-E-C-1.65-5.92	3	4
SG-B-E-C-1.65-7.42	4	5
SG-B-E-C-1.65-8.92	5	6



DO NOT SCALE DRAWING

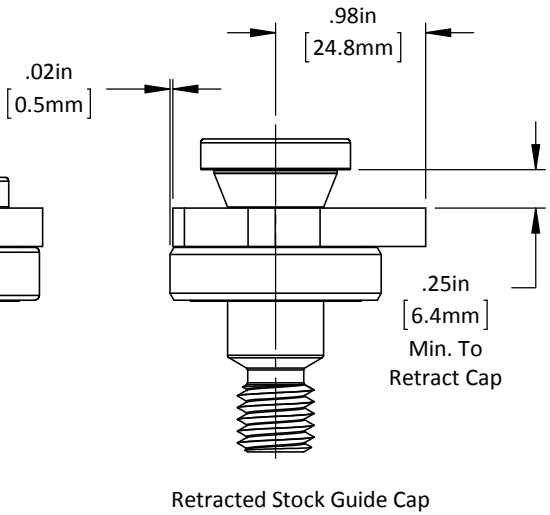
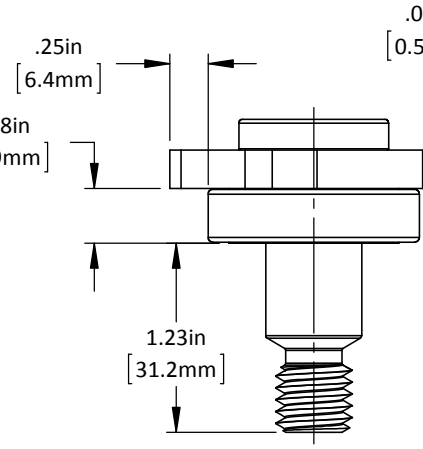
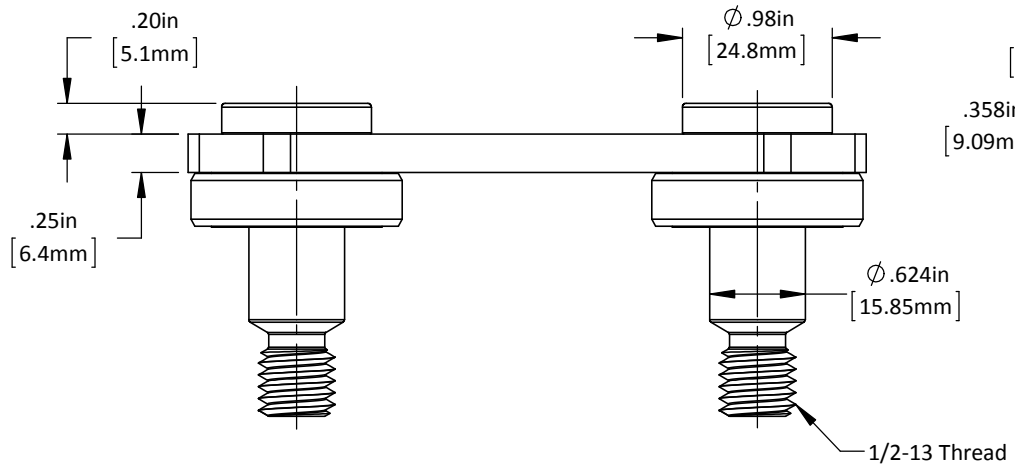
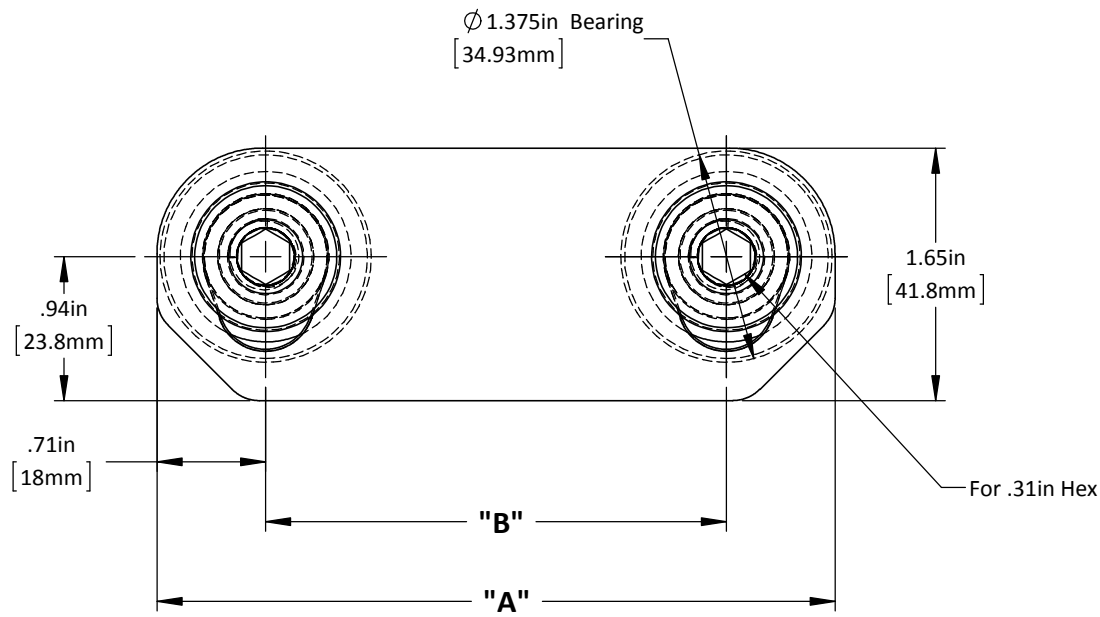
REV 2

Stock Guide-SG-B-E-C-1.65-Machining

This product may be covered by one or more patents or patent applications.
See <http://www.standardlifters.com/patents.html> for details.

STANDARD LIFTERS INC

Product Number	"A" Dim.	"B" Dim.
SG-B-E-O-1.65-2.92	2.92in [74.1mm]	1.500in [38.1mm]
SG-B-E-O-1.65-4.42	4.42in [112.2mm]	3.000in [76.2mm]
SG-B-E-O-1.65-5.92	5.92in [150.3mm]	4.500in [114.3mm]
SG-B-E-O-1.65-7.42	7.42in [188.4mm]	6.000in [152.4mm]
SG-B-E-O-1.65-8.92	8.92in [226.5mm]	7.500in [190.5mm]
SG-B-E-O-1.65-10.42	10.42in [264.6mm]	9.000in [228.6mm]
SG-B-E-O-1.65-13.42	13.42in [340.8mm]	12.000in [304.8mm]
SG-B-E-O-1.65-16.42	16.42in [417mm]	15.000in [381mm]



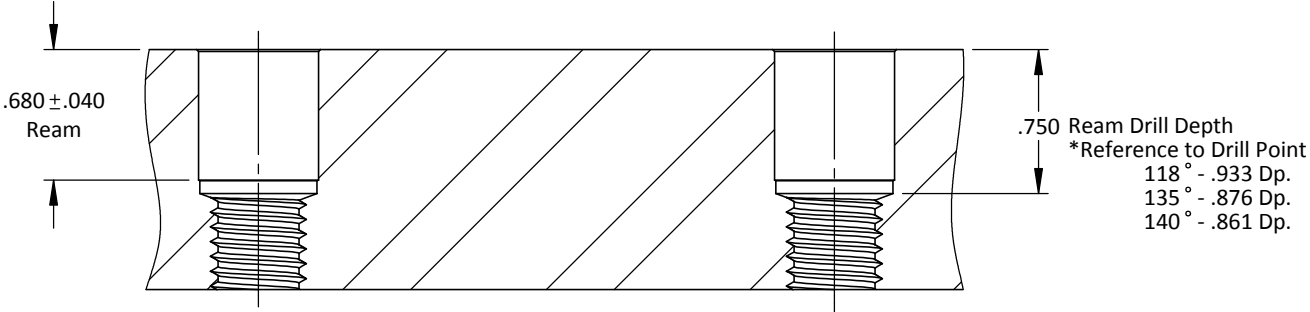
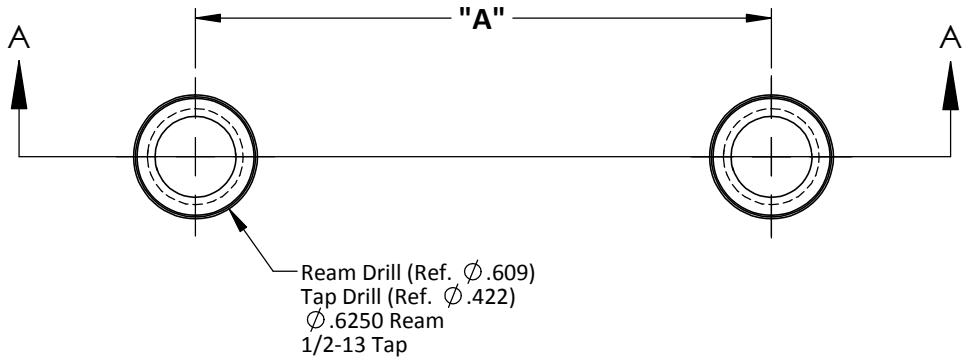
DO NOT SCALE DRAWING REV 1

This product may be covered by one or more patents or patent applications.
See <http://www.standardlifters.com/patents.html> for details.

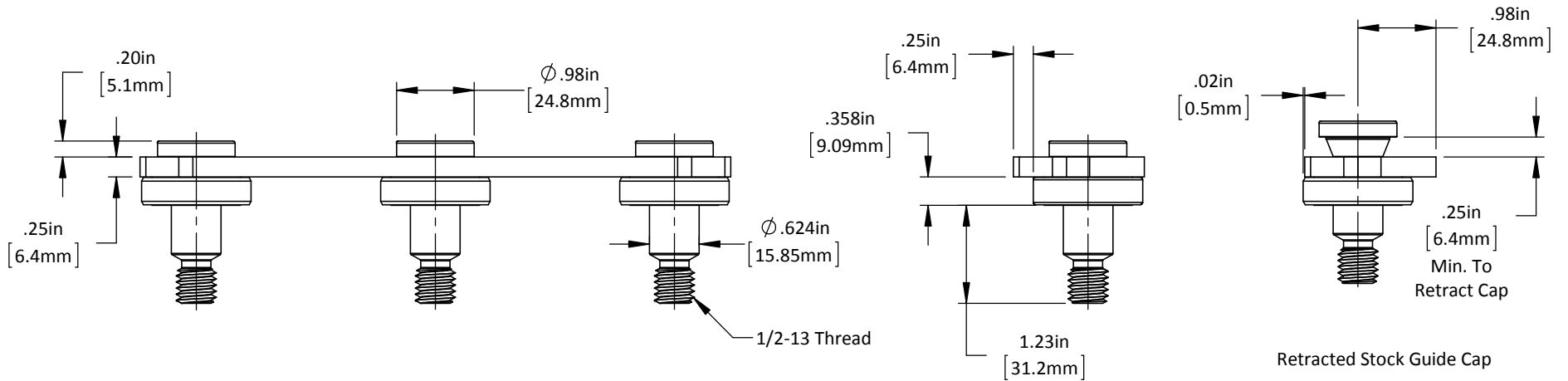
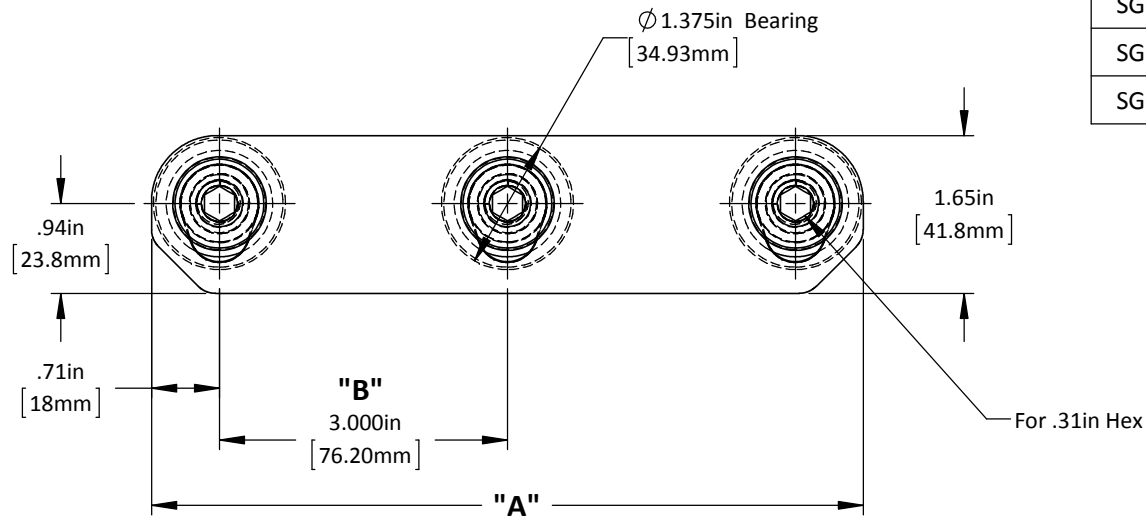
Stock Guide-SG-B-E-O-1.65

STANDARD LIFTERS INC

Product Number	"A" Dim.
SG-B-E-O-1.65-2.92	1.500in [38.1mm]
SG-B-E-O-1.65-4.42	3.000in [76.2mm]
SG-B-E-O-1.65-5.92	4.500in [114.3mm]
SG-B-E-O-1.65-7.42	6.000in [152.4mm]
SG-B-E-O-1.65-8.92	7.500in [190.5mm]
SG-B-E-O-1.65-10.42	9.000in [228.6mm]
SG-B-E-O-1.65-13.42	12.000in [304.8mm]
SG-B-E-O-1.65-16.42	15.000in [381mm]



Product Number	"A" Dim.	"B" Spaces	No. of Brgs.
SG-B-E-S-1.65-7.42	7.42in [188.4mm]	2	3
SG-B-E-S-1.65-10.42	10.42in [264.6mm]	3	4
SG-B-E-S-1.65-13.42	13.42in [340.8mm]	4	5
SG-B-E-S-1.65-16.42	16.42in [417mm]	5	6



DO NOT SCALE DRAWING REV 1
 This product may be covered by one or more patents or patent applications.
 See <http://www.standardlifters.com/patents.html> for details.

Stock Guide-SG-B-E-S-1.65
STANDARD LIFTERS INC

